

# NOZBART®

*The best of the world...*



**Kum Filtreleri**  
**Sand Filters**

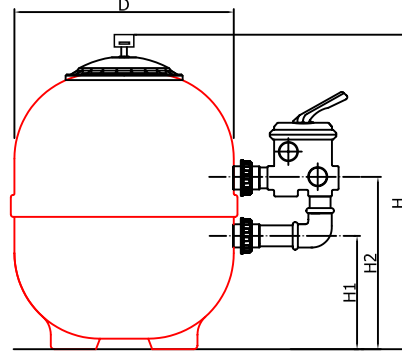


**TÜM**

PLASTİK VE MAKİNA KALIP SANAYİ VE TİCARET LİMİTED ŞİRKETİ

# NOZBART PLASTİK KUM FİLTRELERİ (PE) (TEST BASINCI 4 BAR)

## NOZBART PLASTIC SAND FILTERS (PE) (TEST PRESSURE 4 BAR)



✓ Akışkan direncini azaltan  
çapaksız ve geniş süzgeçler  
*Fluid resistance reducing  
and deburred wide filter  
nozzles*

- \* Özel kollektör sistemi ile sağlıklı filtreleme  
*Collector with laterals*
- \* 50 m<sup>3</sup>/saat/m<sup>2</sup> filtreleme hızı  
*Filtration velocity 50 m<sup>3</sup>/h/m<sup>2</sup>*
- \* Maksimum 2 BAR kullanım ve 4 BAR Test basıncı  
*Using pressure maximum 2 BAR and Test pressure 4 BAR*
- \*Hava tahliye vanalı ve manometreli  
*Manometer and air valve are included*
- \* U-PVC boru ve fittingsler  
*Internal pipe and fittings in U-PVC*
- \* EPDM contalar ve tümüyle paslanmaz civatalar  
*Gaskets in EPDM and all screw fittings in stainless steel*
- \* DN 240 giriş çaplı geniş üst kapak  
*DN 240 top closure dome with bolt on cover*
- \* Fiyatlara altı yollu vana dahil, kum hariçtir.  
*The prices includes the multiport valve, do not include the sand*

MODEL Ø D	DEBİ(m <sup>3</sup> /saat) FLOW(m <sup>3</sup> /hour)			KOD CODE	KUM MİKTARI QUANTITY SAND		ÖLÇÜ TABLOSU DIMENSIONS			
	50 m <sup>3</sup> /h/m <sup>2</sup>	40 m <sup>3</sup> /h/m <sup>2</sup>	30 m <sup>3</sup> /h/m <sup>2</sup>		İnce Fine (0,7-1,4 mm) kg	Çakıl Gravel (3-5 mm) kg	H (cm)	H1 (cm)	H2 (cm)	Bağlantı Connection (mm)
400 mm. 400 mm.	6	5	4	FPE-040	30	15	55	18	31	50
500 mm. 500 mm.	10	8	6	FPE-050	60	30	56	22	35	50
620 mm. 620 mm.	15	12	9	FPE-062	90	50	82	29,5	44	50
760 mm. 760 mm.	22	18	14	FPE-076	180	125	92	28	43	63
920 mm. 920 mm.	26	21	16	FPE-082	200	125	112	61	40,5	63

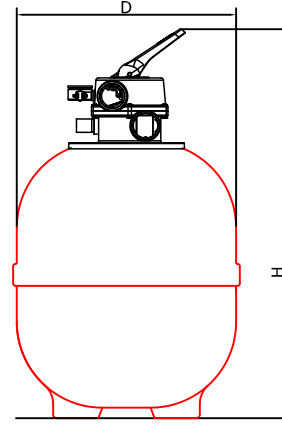
\* Yıkamış ve elenmiş kum kullanılmalıdır / Washed and sieved sand should be used

# TÜM

PLASTİK VE MAKİNA KALIP SANAYİ VE TİCARET LİMİTED ŞİRKETİ

# NOZBART ÜSTTEN MONTAJLI PLASTİK KUM FİLTRELERİ (PE) (TEST BASINCI 4 BAR)

## NOZBART TOP MOUNTED PLASTIC SAND FILTERS (PE) (TEST PRESSURE 4 BAR)



✓ Akışkan direncini azaltan  
çapaksız ve geniş süzgeçler  
*Fluid resistance reducing  
and deburred wide filter  
nozzles*

- \* Özel kollektör sistemi ile sağlıklı filtreleme  
*Collector with laterals*
- \* 50 m<sup>3</sup>/saat/m<sup>2</sup> filtreleme hızı  
*Filtration velocity 50 m<sup>3</sup>/h/m<sup>2</sup>*
- \* Maksimum 2 BAR kullanım ve 4 BAR Test basıncı  
*Using pressure maximum 2 BAR and Test pressure 4 BAR*
- \* Hava tahliye vanalı ve manometreli  
*Manometer and air valve are included*
- \* U-PVC boru ve fittingsler  
*Internal pipe and fittings in U-PVC*
- \* EPDM contalar ve tümüyle paslanmaz civatalar  
*Gaskets in EPDM and all screw fittings in stainless steel*
- \* DN 240 giriş çaplı geniş üst kapak  
*DN 240 top closure dome with bolt on cover*
- \* Fiyatlara altı yollu vana dahil, kum hariçtir.  
*The prices includes the multiport valve, do not include the sand*

MODEL Ø D	DEBİ(m <sup>3</sup> /saat) FLOW(m <sup>3</sup> /hour)			KOD CODE	KUM MİKTARI QUANTITY SAND		ÖLÇÜ TABLOSU DIMENSIONS	
	50 m <sup>3</sup> /h/m <sup>2</sup>	40 m <sup>3</sup> /h/m <sup>2</sup>	30 m <sup>3</sup> /h/m <sup>2</sup>		İnce Fine (0,7-1,4 mm) kg	Çakıl Gravel (3-5 mm) kg	H (cm)	Bağlantı Connection (mm)
400 mm. 400 mm.	6	5	4	FPE-041	30	15	65	50
500 mm. 500 mm.	10	8	6	FPE-051	60	30	66	50
620 mm. 620 mm.	15	12	9	FPE-063	90	50	92	50
760 mm. 760 mm.	22	18	14	FPE-077	180	125	109	63
920 mm. 920 mm.	26	21	16	FPE-083	200	125	129	63

\* Yıkamış ve elenmiş kum kullanılmalıdır / Washed and sieved sand should be used



PLASTİK VE MAKİNA KALIP SANAYİ VE TİCARET LİMİTED ŞİRKETİ

# NOZBART POLYESTER KUM FİLTRELERİ (TEST BASINCI 4 BAR)

## NOZBART POLYESTER SAND FILTERS (TEST PRESSURE 4 BAR)



✓ Akışkan direncini azaltan  
çapaksız ve geniş süzgeçler  
Fluid resistance reducing  
and deburred wide filter  
nozzles

- \* Özel kollektör sistemi ile sağlıklı filtreleme  
*Collector with laterals*
- \* 50 m<sup>3</sup>/saat/m<sup>2</sup> filtreleme hızı  
*Filtration velocity 50 m<sup>3</sup>/h/m<sup>2</sup>*
- \* 2 BAR kullanım ve 4 BAR Test basıncı  
*Using pressure 2 BAR and Test pressure 4 BAR*
- \* Gözetleme camlı ve camsız modeller  
*Sight Glass is included or not included*
- \* Hava tahliye vanalı ve manometreli  
*Manometer and air valve are included*
- \* U-PVC boru ve fittingsler  
*Internal pipe and fittings in U-PVC*
- \* EPDM contalar ve tümüyle paslanmaz civatalar  
*Gaskets in EPDM and all screw fittings in stainless steel*

### {Ø400 - Ø500 - Ø620 - Ø760 - Ø 820 - Ø 920}

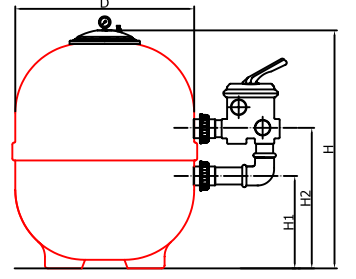
DN 240 giriş çaplı geniş üst kapak  
*DN 240 top closure dome with bolt on cover*  
Fiyatlarına altı yollu vana dahil, kum hariçtir.  
*The prices do not include the multiport valve and the sand*

### {Ø1050 - Ø1250 - Ø1400 - Ø1600 - Ø1800 - Ø2000 - Ø2350}

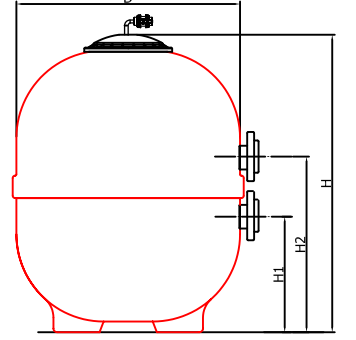
DN 400 giriş çaplı geniş üst kapak ve menhol kapağı  
*DN 400 top closure dome and lateral manhole with bolt on cover*  
Fiyatlarına altı yollu vana ve kum hariçtir.  
*The filter prices do not include the multiport valve and the sand.*

### {Ø2000 - Ø2350}

Fiyatlarına çiftli manometre aparatı dahildir  
*The filter prices include the double manometer equipment*



MODEL A



MODEL B



MODEL Ø D	DEBİ(m <sup>3</sup> /saat) FLOW(m <sup>3</sup> /hour)			KOD CODE	KUM MİKTARI QUANTITY SAND			ÖLÇÜ TABLOSU DIMENSIONS				
	50 m <sup>3</sup> /h/m <sup>2</sup>	40 m <sup>3</sup> /h/m <sup>2</sup>	30 m <sup>3</sup> /h/m <sup>2</sup>		İnce Fine (0,7-1,4 mm) kg	Orta Medium (1,4-3 mm) kg	Çakıl Gravel (3-5 mm) kg	Model	H (cm)	H1 (cm)	H2 (cm)	Bağlantı Connection (mm)
400 mm. 400 mm.	6	5	4	FLT-040	30	-	15	A	62	21	37	50
500 mm. 500 mm.	10	8	6	FLT-050	60	-	30	A	63	21	37	50
620 mm. 620 mm.	15	12	9	FLT-062	90	-	50	A	80	27,5	46	50
760 mm. 760 mm.	22	18	14	FLT-076	180	-	125	A	92	32	49	63
820 mm. 820 mm.	26	21	16	FLT-082	200	-	125	A	103	36	66,5	63
920 mm. 920 mm.	33	26	20	FLT-092	330	-	200	A	115	41	63	63
1050 mm. 1050 mm.	43	34	26	FLT-105	590	-	300	B	120	40,5	79	90
1250 mm. 1250 mm.	61	48	36	FLT-125	500	500	375	B	146	33,5	95	90
1400 mm. 1400 mm.	77	62	47	FLT-140	625	625	550	B	153	42	89	110
1600 mm. 1600 mm.	100	80	60	FLT-160	1000	1000	725	B	172	54	105	110
1800 mm. 1800 mm.	127	101	76	FLT-180	1300	1300	900	B	180	55	110	160
2000 mm. 2000 mm.	157	126	94	FLT-200	1850	1850	1250	B	180	54,5	122,5	160
2350 mm. 2350 mm.	216	173	130	FLT-235	3600	3600	1350	B	236	68,5	156	200



PLASTİK VE MAKİNA KALIP SANAYİ VE TİCARET LİMİTED ŞİRKETİ

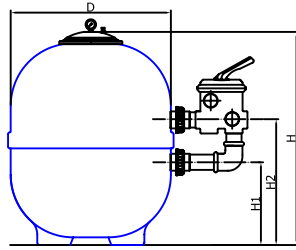


# OZON İÇİN NOZBART İÇİ ÇİFT KAT POLİVİNİL ESTER KAPLANMIŞ KUM FİLTRELERİ (TEST BASINCI 4 BAR)

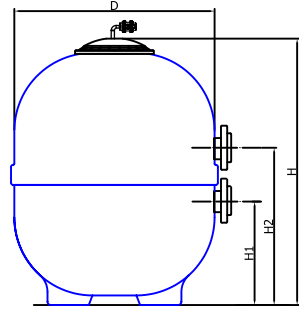
40 °C ortam sıcaklığında maksimum 0,4 ppm suda erimiş ozona dirençlidir

## FOR OZONE NOZBART DOUBLE-LAYER INSIDE COATED POLYVINYLESTER SAND FILTERS (TEST PRESSURE 4 BAR)

Maximum chemical resistance for ozone dissolved in 0,4 ppm water and with a maximum temperature of 40 C



MODEL A



MODEL B

MODEL Ø D	DEBİ(m <sup>3</sup> /saat) FLOW(m <sup>3</sup> /hour)			KOD CODE	KUM MİKTARI QUANTITY SAND			ÖLÇÜ TABLOSU DIMENSIONS				
	50 m <sup>3</sup> /h/m <sup>2</sup>	40 m <sup>3</sup> /h/m <sup>2</sup>	30 m <sup>3</sup> /h/m <sup>2</sup>		İnce Fine (0,7-1,4 mm) kg	Orta Medium (1,4-3 mm) kg	Çakıl Gravel (3-5 mm) kg	Model	H (cm)	H1 (cm)	H2 (cm)	Bağlantı Connection (mm)
400 mm. 400 mm.	6	5	4	FLO-040	30	-	15	A	62	21	37	50
500 mm. 500 mm.	10	8	6	FLO-050	60	-	30	A	63	21	37	50
620 mm. 620 mm.	15	12	9	FLO-062	90	-	50	A	80	27,5	46	50
760 mm. 760 mm.	22	18	14	FLO-076	180	-	125	A	92	32	49	63
820 mm. 820 mm.	26	21	16	FLO-082	200	-	125	A	103	36	66,5	63
920 mm. 920 mm.	33	26	20	FLO-092	330	-	200	A	115	41	63	63
1050 mm. 1050 mm.	43	34	26	FLO-105	590	-	300	B	120	40,5	79	90
1250 mm. 1250 mm.	61	48	36	FLO-125	500	500	375	B	146	33,5	95	90
1400 mm. 1400 mm.	77	62	47	FLO-140	625	625	550	B	153	42	89	110
1600 mm. 1600 mm.	100	80	60	FLO-160	1000	1000	725	B	172	54	105	110
1800 mm. 1800 mm.	127	101	76	FLO-180	1300	1300	900	B	180	55	110	160
2000 mm. 2000 mm.	157	126	94	FLO-200	1850	1850	1250	B	180	54,5	122,5	160
2350 mm. 2350 mm.	216	173	130	FLO-235	3600	3600	1350	B	236	68,5	156	200



### KUM FİLTRESİ ÇİFTLİ MANOMETRE APARATI SAND FILTER DOUBLE MANOMETER EQUIPMENT

MALZEME CİNSİ DESCRIPTION	KOD CODE	FİYATI PRICE €
Kum Filtresi Çiftli Manometre Aparatı Sand Filter Double Manometer Equipment	ÇMA-001	216,00

- ✓ Giriş ve çıkış basınçlarının gözlemlenebildiği iki ayrı gliserinli hassas manometre  
Inlet and outlet pressure can be observed with two separate glycerine manometer
- ✓ Kolay okuma sağlayan geniş manometre kadranı  
Easy to read large dial manometer
- ✓ Manometre havasını boşaltmak için her iki tarafta da purjör  
Deflate valve for manometer
- ✓ Her türlü filtreye rahatlıkla montaj sağlayan özgün konstrüksiyon  
The original design supporting all kinds of filter.
- ✓ Giriş ve çıkış manometreleri için açma kapama vanaları  
Inlet and outlet on / off valves for manometers

### KUVARS FİLTRE KUMU /// QUARTZ SAND FOR FILTER

İNCE FINE (0,7-1,2mm)	ORTA MEDIUM (1-3mm)	KALIN THICK (3-5mm)	FİYATI PRICE (€ / KG)	AMBALAJ PACKAGE
KFK-001	KFK-002	KFK-003	0,33	25 KG



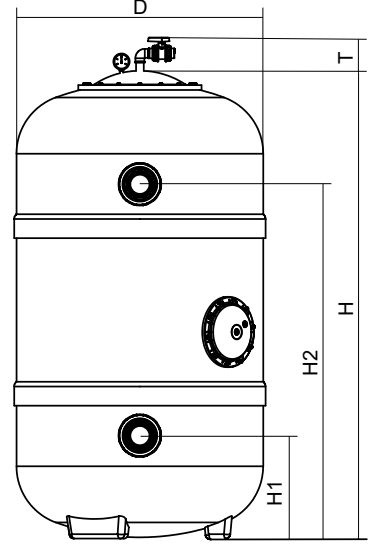
PLASTİK VE MAKİNA KALIP SANAYİ VE TİCARET LIMITED ŞİRKETİ

# NOZBART DIN NORMU POLYESTER KUM FİLTRELERİ (1,2 M YATAK YÜKSEKLİKLİ KOLLEKTÖRLÜ)

## NOZBART DIN NORM POLYESTER SAND FILTERS (IT FEATURES A 1,2 M FILTER BED WITH COLLECTOR)



- \* 1,2 m Kum yatak yüksekliği  
*It features a 1.2 m filter bed*
- \* Özel kollektör sistemi ile sağlıklı filtreleme  
*Collector with laterals*
- \* 40 m<sup>3</sup>/saat/m<sup>2</sup> filtreleme hızı  
*Filtration velocity 40 m<sup>3</sup>/h/m<sup>2</sup>*
- \* 4 BAR Test basıncı  
*Test pressure 4 BAR*
- \* Gözetleme camlı ve camsız modeller  
*Sight Glass is included or not included*
- \* Hava tahliye vanalı ve manometreli  
*Manometer and air valve are included*
- \* U-PVC boru ve fittingsler  
*Internal pipe and fittings in U-PVC*
- \* EPDM contalar ve tümüyle paslanmaz civatalar  
*Gaskets in EPDM and all screw fittings in stainless steel*



### {Ø620 - Ø760 - Ø 820 - Ø 920}

DN 240 giriş çaplı geniş üst kapak ve menhol kapağı  
*DN 240 top closure dome and lateral manhole with bolt on cover*  
Fiyatlarına altı yollu vana dahil, kum hariçtir.  
*The prices do not include the multiport valve and the sand*

### {Ø1050 - Ø1250 - Ø1400 - Ø1600 - Ø1800 - Ø2000}

DN 400 giriş çaplı geniş üst kapak ve menhol kapağı  
*DN 400 top closure dome and lateral manhole with bolt on cover*  
Fiyatlarına altı yollu vana ve kum hariçtir.  
*The filter prices do not include the multiport valve and the sand.*

T = 12,5 cm for  
Ø1050 - Ø1250 - Ø1400 - Ø1600  
Ø1800 - Ø2000 filters  
Çaplı filtreler için



MODEL Ø D	DEBİ(m <sup>3</sup> /saat) FLOW(m <sup>3</sup> /hour)		GÖZETLEME CAMSIZ SIGHT GLASS IS NOT INCLUDED	GÖZETLEME CAMLI SIGHT GLASS IS INCLUDED	KUM MİKTARI QUANTITY SAND				ÖLÇÜ TABLOSU DIMENSIONS			
	40 m <sup>3</sup> /h/m <sup>2</sup>	30 m <sup>3</sup> /h/m <sup>2</sup>	KOD CODE	KOD CODE	Antrasit Anthracite (0,8-1,6 mm) lt	İnce Fine (0,7-1,4 mm) kg	Orta Medium (1,4-3 mm) kg	Çakıl Gravel (3-5 mm) kg	H (cm)	H1 (cm)	H2 (cm)	Bağlantı Connection (mm)
620 mm. 620 mm.	12	9	LMN-062	LMG-062	180	175	25	75	180	27,5	146	50
760 mm. 760 mm.	18	14	LMN-076	LMG-076	275	225	50	125	192	32	149	63
820 mm. 820 mm.	21	16	LMN-082	LMG-082	300	250	75	150	198	36	163,5	63
920 mm. 920 mm.	26	20	LMN-092	LMG-092	400	300	100	200	200	41	148	63
1050 mm. 1050 mm.	34	26	LMN-105	LMG-105	500	400	125	250	203	40,5	162	90
1250 mm. 1250 mm.	48	36	LMN-125	LMG-125	725	650	150	300	211	33,5	160	90
1400 mm. 1400 mm.	62	47	LMN-140	LMG-140	925	700	225	450	218	52	157	110
1600 mm. 1600 mm.	80	60	LMN-160	LMG-160	1200	875	300	625	247	54	170	110
1800 mm. 1800 mm.	101	76	LMN-180	LMG-180	1500	1100	400	800	255	55	175	160
2000 mm. 2000 mm.	126	94	LMN-200	LMG-200	1850	1325	500	1000	255	54,5	187,5	160
2350 mm. 2350 mm.	173	130	LMN-235	LMG-235	2600	1875	675	1350	270	27	192	160



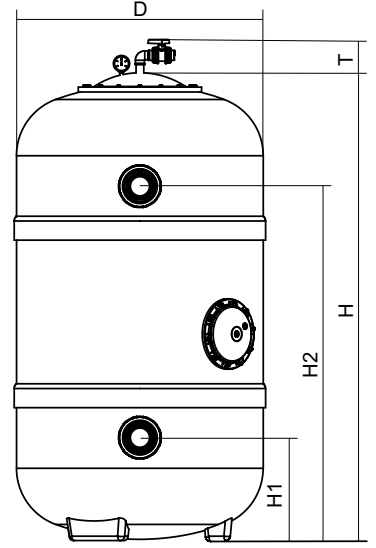
PLASTİK VE MAKİNA KALIP SANAYİ VE TİCARET LİMİTED ŞİRKETİ

# NOZBART DIN NORMU POLYESTER KUM FİLTRELERİ (1,2 M YATAK YÜKSEKLİKLİ SÜZGEÇ TABLALI)

**NOZBART DIN NORM POLYESTER SAND FILTERS  
(IT FEATURES A 1,2 M FILTER BED WITH NOZZLE PLATE COLLECTOR SYSTEM)**



- \* 1,2 m Kum yatak yüksekliği  
*It features a 1.2 m filter bed*
- \* Süzgeç tablah özel sistem  
*Nozzle plate collector system*
- \* 40 m<sup>3</sup>/saat/m<sup>2</sup> filtreleme hızı  
*Filtration velocity 40 m<sup>3</sup>/h/m<sup>2</sup>*
- \* 4 BAR Test basıncı  
*Test pressure 4 BAR*
- \* Gözetleme camlı ve camsız modeller  
*Sight Glass is included or not included*
- \* Hava tahliye vanalı ve manometreli  
*Manometer and air valve are included.*
- \* U-PVC boru ve fittingsler  
*Internal pipe and fittings in U-PVC*
- \* EPDM contalar ve tümüyle paslanmaz civatalar  
*Gaskets in EPDM and all screw fittings in stainless steel*



## {Ø620 - Ø760 - Ø 820 - Ø 920}

DN 240 giriş çaplı geniş üst kapak ve menhol kapağı  
*DN 240 top closure dome and lateral manhole with bolt on cover*  
Fiyatlarına altı yollu vana dahil, kum hariçtir.  
*The prices do not include the multiport valve and the sand.*

T = 12,5 cm for  
Ø1050 - Ø1250 - Ø1400 - Ø1600  
Ø1800 - Ø2000 filters  
Çaplı filtreler için

## {Ø1050 - Ø1250 - Ø1400 - Ø1600 - Ø1800 - Ø2000}

DN 400 giriş çaplı geniş üst kapak ve menhol kapağı  
*DN 400 top closure dome and lateral manhole with bolt on cover*  
Fiyatlarına altı yollu vana ve kum hariçtir.  
*The filter prices do not include the multiport valve and the sand.*



MODEL Ø D	DEBİ(m <sup>3</sup> /saat) FLOW(m <sup>3</sup> /hour)		GÖZETLEME CAMSIZ SIGHT GLASS IS NOT INCLUDED	GÖZETLEME CAMLI SIGHT GLASS IS INCLUDED	KUM MİKTARI QUANTITY SAND				ÖLÇÜ TABLOSU DIMENSIONS			
	40 m <sup>3</sup> /h/m <sup>2</sup>	30 m <sup>3</sup> /h/m <sup>2</sup>	KOD CODE	KOD CODE	Antrasit Anthracite (0,8-1,6 mm) lt	İnce Fine (0,7-1,4 mm) kg	Orta Medium (1,4-3 mm) kg	Çakıl Gravel (3-5 mm) kg	H (cm)	H1 (cm)	H2 (cm)	Bağlantı Connection (mm)
620 mm. 620 mm.	12	9	LTN-062	LTG-062	180	175	25	75	180	27,5	146	50
760 mm. 760 mm.	18	14	LTN-076	LTG-076	275	225	50	125	192	32	149	63
820 mm. 820 mm.	21	16	LTN-082	LTG-082	300	250	75	150	198	36	163,5	63
920 mm. 920 mm.	26	20	LTN-092	LTG-092	400	300	100	200	200	41	148	63
1050 mm. 1050 mm.	34	26	LTN-105	LTG-105	500	400	125	250	203	40,5	162	90
1250 mm. 1250 mm.	48	36	LTN-125	LTG-125	725	650	150	300	211	33,5	160	90
1400 mm. 1400 mm.	62	47	LTN-140	LTG-140	925	700	225	450	218	52	157	110
1600 mm. 1600 mm.	80	60	LTN-160	LTG-160	1200	875	300	625	247	54	170	110
1800 mm. 1800 mm.	101	76	LTN-180	LTG-180	1500	1100	400	800	255	55	175	160
2000 mm. 2000 mm.	126	94	LTN-200	LTG-200	1850	1325	500	1000	255	54,5	187,5	160
2350 mm. 2350 mm.	173	130	LTN-235	LTG-235	2600	1875	675	1350	270	27	192	160



PLASTİK VE MAKİNA KALIP SANAYİ VE TİCARET LİMİTED ŞİRKETİ

# OZON İÇİN NOZBART İÇİ ÇİFT KAT POLİVİNİL ESTER KAPLANMIŞ KUM FİLTRELERİ (TEST BASINCI 4 BAR)

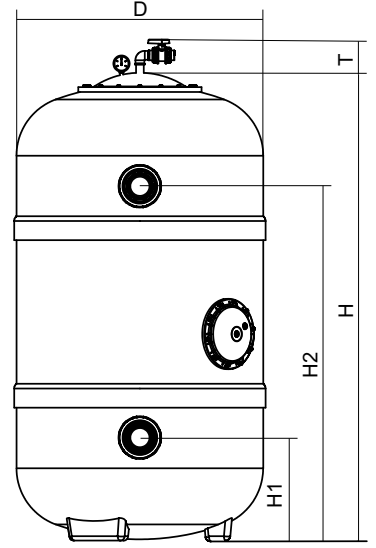
{40 °C ortam sıcaklığında maksimum 0,4 ppm suda erimiş ozona dirençlidir}

## FOR OZONE NOZBART DOUBLE-LAYER INSIDE COATED POLYVINYLESTER SAND FILTERS (TEST PRESSURE 4 BAR)

Maximum chemical resistance for ozone dissolved in 0,4 ppm water and with a maximum temperature of 40 C

### OZONA DAYANIKLI POLYVINILESTER FİLTRELER POLYVINYLESTER OZONE FILTERS

- \* 1,2 m Kum yatak yüksekliği  
It features a 1.2 m filter bed
- \* Özel kollektör sistemi ile sağlıklı filtreleme  
Collector with laterals
- \* 40 m<sup>3</sup>/saat/m<sup>2</sup> filtreleme hızı  
Filtration velocity 40 m<sup>3</sup>/h/m<sup>2</sup>
- \* 4 BAR Test basıncı  
Test pressure 4 kg/cm<sup>2</sup>
- \* Gözetleme camlı ve camsız modeller  
Sight Glass is included or not included
- \* Hava tahliye vanalı ve manometreli  
Manometer and air valve are included
- \* U-PVC boru ve fittingsler  
Internal pipe and fittings in U-PVC
- \* EPDM contalar ve tümüyle paslanmaz civatalar  
Gaskets in EPDM and all screw fittings in stainless steel
- \* Ozona dayanıklı polyvinilester filtreler özel olarak imal edilmektedir  
Polyvinylester ozone filters are manufactured on special request



T = 12,5 cm for

Ø1050 - Ø1250 - Ø1400 - Ø1600  
Ø1800 - Ø2000 filters  
Çaplı filtreler için

### {Ø620 - Ø760 - Ø 820 - Ø 920}

DN 240 giriş çaplı geniş üst kapak ve menhol kapağı  
DN 240 top closure dome and lateral manhole with bolt on cover  
Fiyatlarına altı yollu vana dahil, kum hariçtir.  
The prices do not include the multiport valve and the sand

### {Ø1050 - Ø1250 - Ø1400 - Ø1600 - Ø1800 - Ø2000}

DN 400 giriş çaplı geniş üst kapak ve menhol kapağı  
DN 400 top closure dome and lateral manhole with bolt on cover  
Fiyatlarına altı yollu vana ve kum hariçtir.  
The filter prices do not include the multiport valve and the sand.



MODEL Ø D	DEBİ(m <sup>3</sup> /saat) FLOW(m <sup>3</sup> /hour)		GÖZETLEME CAMSIZ SIGHT GLASS IS NOT INCLUDED	GÖZETLEME CAMLI SIGHT GLASS IS INCLUDED	KUM MİKTARI QUANTITY SAND				ÖLÇÜ TABLOSU DIMENSIONS		
	40 m <sup>3</sup> /h/m <sup>2</sup>	30 m <sup>3</sup> /h/m <sup>2</sup>			KOD CODE	KOD CODE	Antrasit Anthracite (0,8-1,6 mm) lt	İnce Fine (0,7-1,4 mm) kg	Orta Medium (1,4-3 mm) kg	Çakıl Gravel (3-5 mm) kg	H (cm)
620 mm. 620 mm.	12	9	LMN-063	LMG-063	180	175	25	75	180	27,5	146
760 mm. 760 mm.	18	14	LMN-077	LMG-077	275	225	50	125	192	32	149
820 mm. 820 mm.	21	16	LMN-083	LMG-083	300	250	75	150	198	36	163,5
920 mm. 920 mm.	26	20	LMN-093	LMG-093	400	300	100	200	200	41	148
1050 mm. 1050 mm.	34	26	LMN-106	LMG-106	500	400	125	250	203	40,5	162
1250 mm. 1250 mm.	48	36	LMN-126	LMG-126	725	650	150	300	211	33,5	160
1400 mm. 1400 mm.	62	47	LMN-141	LMG-141	925	700	225	450	218	52	157
1600 mm. 1600 mm.	80	60	LMN-161	LMG-161	1200	875	300	625	247	54	170
1800 mm. 1800 mm.	101	76	LMN-181	LMG-181	1500	1100	400	800	255	55	175
2000 mm. 2000 mm.	126	94	LMN-201	LMG-201	1850	1325	500	1000	255	54,5	187,5
2350 mm. 2350 mm.	173	130	LMN-236	LMG-236	2600	1875	675	1350	270	27	192



PLASTİK VE MAKİNA KALIP SANAYİ VE TİCARET LİMİTED ŞİRKETİ



# OZON İÇİN NOZBART İÇİ ÇİFT KAT POLİVİNİL ESTER KAPLANMIŞ KUM FİLTRELERİ (TEST BASINCI 4 BAR)

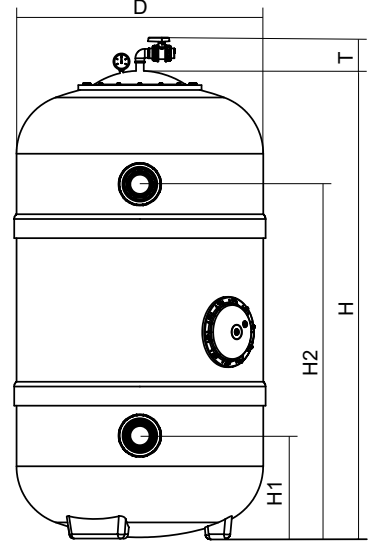
{40 °C ortam sıcaklığında maksimum 0,4 ppm suda erimiş ozona dirençlidir}

## FOR OZONE NOZBART DOUBLE-LAYER INSIDE COATED POLYVINYLESTER SAND FILTERS (TEST PRESSURE 4 BAR)

Maximum chemical resistance for ozone dissolved in 0,4 ppm water and with a maximum temperature of 40 C

### OZONA DAYANIKLI POLYVINILESTER FİLTRELER POLYVINYLESTER OZONE FILTERS

- \* 1,2 m Kum yatak yüksekliği  
It features a 1.2 m filter bed
- \* Süzgeç tablahı özel sistem  
Nozzle plate collector system
- \* 40 m<sup>3</sup>/saat/m<sup>2</sup> filtreleme hızı  
Filtration velocity 40 m<sup>3</sup>/h/m<sup>2</sup>
- \* 4 BAR Test basıncı  
Test pressure 4 BAR
- \* Gözetleme camlı ve camsız modeller  
Sight Glass is included or not included
- \* Hava tahliye vanalı ve manometreli  
Manometer and air valve are included.
- \* U-PVC boru ve fittingsler  
Internal pipe and fittings in U-PVC
- \* EPDM contalar ve tümüyle paslanmaz civatalar  
Gaskets in EPDM and all screw fittings in stainless steel
- \* Ozona dayanıklı polyvinilester filtreler özel olarak imal edilmektedir  
Polyvinylester ozone filters are manufactured on special request



#### {Ø620 - Ø760 - Ø 820 - Ø 920}

DN 240 giriş çaplı geniş üst kapak ve menhol kapağı  
DN 240 top closure dome and lateral manhole with bolt on cover  
Fiyatlarına altı yollu vana dahil, kum hariçtir.  
The prices do not include the multiport valve and the sand.

T = 12,5 cm for

Ø1050 - Ø1250 - Ø1400 - Ø1600  
Ø1800 - Ø2000 filters  
Çaplı filtreler için

#### {Ø1050 - Ø1250 - Ø1400 - Ø1600 - Ø1800 - Ø2000}

DN 400 giriş çaplı geniş üst kapak ve menhol kapağı  
DN 400 top closure dome and lateral manhole with bolt on cover  
Fiyatlarına altı yollu vana ve kum hariçtir.  
The filter prices do not include the multiport valve and the sand.



MODEL Ø D	DEBİ(m <sup>3</sup> /saat) FLOW(m <sup>3</sup> /hour)		GÖZETLEME CAMSIZ SIGHT GLASS IS NOT INCLUDED	GÖZETLEME CAMLI SIGHT GLASS IS INCLUDED	KUM MİKTARI QUANTITY SAND				ÖLÇÜ TABLOSU DIMENSIONS		
	40 m <sup>3</sup> /h/m <sup>2</sup>	30 m <sup>3</sup> /h/m <sup>2</sup>			KOD CODE	KOD CODE	Antrasit Anthracite (0,8-1,6 mm) lt	İnce Fine (0,7-1,4 mm) kg	Orta Medium (1,4-3 mm) kg	Çakıl Gravel (3-5 mm) kg	H (cm)
620 mm. 620 mm.	12	9	LTN-063	LTG-063	180	175	25	75	180	27,5	146
760 mm. 760 mm.	18	14	LTN-077	LTG-077	275	225	50	125	192	32	149
820 mm. 820 mm.	21	16	LTN-083	LTG-083	300	250	75	150	198	36	163,5
920 mm. 920 mm.	26	20	LTN-093	LTG-093	400	300	100	200	200	41	148
1050 mm. 1050 mm.	34	26	LTN-106	LTG-106	500	400	125	250	203	40,5	162
1250 mm. 1250 mm.	48	36	LTN-126	LTG-126	725	650	150	300	211	33,5	160
1400 mm. 1400 mm.	62	47	LTN-141	LTG-141	925	700	225	450	218	52	157
1600 mm. 1600 mm.	80	60	LTN-161	LTG-161	1200	875	300	625	247	54	170
1800 mm. 1800 mm.	101	76	LTN-181	LTG-181	1500	1100	400	800	255	55	175
2000 mm. 2000 mm.	126	94	LTN-201	LTG-201	1850	1325	500	1000	255	54,5	187,5
2350 mm. 2350 mm.	173	130	LTN-236	LTG-236	2600	1875	675	1350	270	27	192



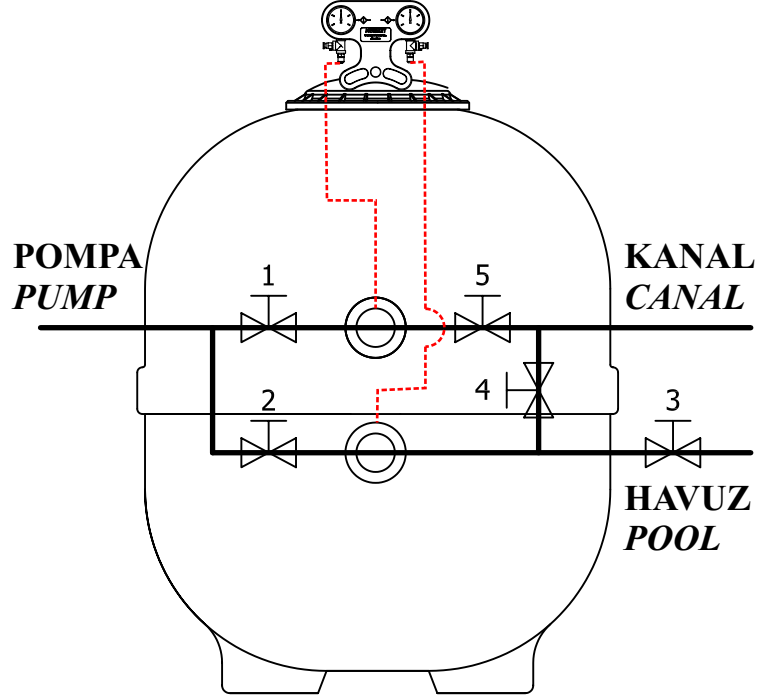
PLASTİK VE MAKİNA KALIP SANAYİ VE TİCARET LİMİTED ŞİRKETİ

**ALTIYOLLU VANA KULLANIM KILAVUZU**  
**MULTI PORT VALVE USING GUIDE**

Vananın Konumu Valve Position	Altiyollu Vana Fonksiyonları Functions of Multiport Valve	Suyun Devir Şeması Water Flow Chart	Vana Akışı Flow Chart
<b>Filtreleme</b> Filter Filtration Filtern	Bu konumda havuz suyu filtrelenerek tekrar havuza verilir. <i>The water coming from the pump passes from the top to the bottom of the filter and after filtration it's directed to the pool again.</i>		
<b>Boşaltma</b> Waste Vidange Entleeren	Havuz suyu doğrudan kanala boşaltılır. <i>The water coming from the pump is directed to the waste outlet without passing through the filter.</i>		
<b>Kapalı</b> Closed Ferme Geschlossen	Su vanadan hiçbir yere gidemez. Bu pozisyonda pompa çalıştırmayınız. <i>No water circulation in this position. Make sure that the pump is off</i>		
<b>Ters Yıkama</b> Back Wash Lavage Rückspülen	Kirlenen filtre kumu ters yıkama ile temizlenir. <i>The water coming from the pump passes from the bottom to the top of the filter to escape through the waste outlet washing away the impurities retained by the filter.</i>		
<b>Sirkülasyon</b> Recirculate Circulation Zirkulieren	Havuz suyu filtreden geçirilmeden tekrar havuza verilir. <i>The water coming from the pump is directed to the pool without filtration.</i>		
<b>Durulama</b> Rinse Rincage Nachspülen	Ters Yıkama ile temizlenen havuz kumu durulanır. <i>The water coming from the pump passes from the top to the bottom of the filter and escapes through the waste outlet rinsing the sand.</i>		

\* Altı yönlü vanayı kullanmadan önce pompayı durdurunuz.

\*Before the handle move stop the pump.

**MONTAJ ŞEMASI**  
***MOUNTING PLAN*****FİLTRELERDE KELEBEK VE KÜRESEL VANA KULLANIM KILAVUZU**  
***BALL AND BUTTERFLY VALVES USING GUIDE ON FILTERS***

Filtrasyon <i>Filter</i>	Ters Yıkama <i>Back Wash</i>	Durulama <i>Rinse</i>	Sirkülasyon <i>Recirculate</i>	Boşaltma <i>Waste</i>	Kapalı <i>Closed</i>
1. Açık - <i>Open</i>	1. Kapalı - <i>Closed</i>	1. Açık - <i>Open</i>	1. Kapalı - <i>Closed</i>	1. Açık - <i>Open</i>	1. Kapalı - <i>Closed</i>
2. Kapalı - <i>Closed</i>	2. Açık - <i>Open</i>	2. Kapalı - <i>Closed</i>	2. Açık - <i>Open</i>	2. Kapalı - <i>Closed</i>	2. Kapalı - <i>Closed</i>
3. Açık - <i>Open</i>	3. Kapalı - <i>Closed</i>	3. Kapalı - <i>Closed</i>	3. Açık - <i>Open</i>	3. Kapalı - <i>Closed</i>	3. Kapalı - <i>Closed</i>
4. Kapalı - <i>Closed</i>	4. Kapalı - <i>Closed</i>	4. Açık - <i>Open</i>	4. Kapalı - <i>Closed</i>	4. Kapalı - <i>Closed</i>	4. Kapalı - <i>Closed</i>
5. Kapalı - <i>Closed</i>	5. Açık - <i>Open</i>	5. Kapalı - <i>Closed</i>	5. Kapalı - <i>Closed</i>	5. Açık - <i>Open</i>	5. Kapalı - <i>Closed</i>

**POLYESTER FİLTRELER İÇİN BÜYÜK TEHLİKE: SU DARBESİ!  
( SU KOÇU - WATER HAMMER )**

Su darbesi, tesisattaki suyun hızında meydana gelen ani değişikliklerden kaynaklanır. Suyun kinetik enerjisindeki ani değişimin potansiyel enerjiye dönüşümü büyük bir gürültü ile birlikte şok dalgaları meydana getirir. Büyük bir hızla sistemin her tarafına yayılan tahrip edici basınç dalgaları, vuruntu ve titreşim, enerji sönümleninceye kadar devam eder. Sistem büyük bir tehlike altındadır. Tesisattaki her eleman bundan etkilenir. Ama en çok etkilenecek olan, tesisatta en büyük hacime sahip polyester filitrelerdir. Dalgaları pozitif yönde basınç, negatif yönde iken vakum meydana getirir. Nispeten basınca dayanabilen filtre, hemen arkasından gelen dayanma mukavemeti olmadığı vakumla karşılaşır. Boş pet şişenin emilmesindeki gibi hava basıncı ile buruşur. Su darbeleri yeteri kadar büyükse artık filitrenin patlaması kaçınılmaz olur.

Sistemin her elemanını tahrip eden su darbesi kesinlikle önlenmelidir.

**Su darbesi nasıl oluşur?**

**1. Tesisat içinde durağan olan suyun aniden hareketlenmesi ile**

Sistemdeki pompanın emme ve basma tarafındaki vanaların açık olduğu durumda pompalar çalıştırılırsa durmakta olan su aniden kinetik enerji kazanır ve su darbesi oluşabilir. Bütün pompa üreticileri pompanın çalıştırılmasında basma tarafı vanasının kapalı pozisyonda olmasını tavsiye ederler ve böyle olmalıdır. Bu pozisyonda elektrik motoru en az enerjiyi çeker. Vana kapalı iken, pompa içindeki basıncın en yüksek değerde olması sizi yanıltmasın. Pompa su basmadığı için güç çekilmemektedir. Motor, suyu çalkalama, kendi sürtünmesi ve iç kaçakları dışında bir iş yapmamaktadır. Pompa tam devrini aldıktan sonra vana yavaş yavaş açılarak devreye su verilmelidir. Altını çizerek şunu bir defa daha söyleyelim, pompanın emme tarafı vanası hiçbir şekilde kapatılmamalıdır. Bu vana sadece arıza halinde pompayı sökmek içindir. Eğer bir debi ayarı yapılacaksa sadece basma tarafı vanasından ayar yapılabilir. Pompa çalıştıktan sonra basma tarafı vanasını açmayı unutursak su devamlı çalkalama ve sürtünme neticesinde aşırı ısınacak, pompayı tahrip edecektir. Unutma tehlikesi söz konusu ise küçük çaplı bir boru ve vana ile basma vanasının iki tarafı baypas yapılabilir.

**2. Tesisat içinde akmakta olan suyun aniden durdurulması ile**

Sistem çalışırken bir vananın, pompanın, çekvalfin aniden kapatılması, sistemdeki havanın aniden boşaltılması ile su darbesi oluşur. Burada zaman çok önemli faktördür. Söz konusu olan momentumun değişim hızıdır. Zaman ne kadar kısa ise su darbesi o kadar şiddetli olur. Eğer siz vanayı yavaş yavaş kapatıyorsanız özellikle kapanmanın son %20'sinde daha da yavaş hareket ederseniz su darbesi oluşmaz. Pompa durdurulacaksa önce basma tarafındaki pompa vanası yavaş yavaş kapatılır. Tam kapama gerçekleştikten sonra pompa motoru durdurulur. Olay şudur: Sistem içinde akmakta olan su kinetik enerjiye sahiptir ve bu  $(m \cdot v^2 / 2)$  şeklinde formüle edilir. Burada "m" kütle, "v" de hızı gösterir. Demek ki suyun kütlesi ve hızı arttıkça enerji miktarı da artar. Hız enerjisi karesi ile orantılı arttığından daha da etkili bir değişkendir.

**Su darbesi nasıl önlenir?**

Yukarıda anlattığımız şekilde uygulama yapan bir operatör büyük oranda su darbesini önler.

Sistemin projelendirilmesinden doğan veya elektriklerin kesilmesi neticesinde meydana gelecek su darbelerini, operatörün bilgi ve becerisi önleyemez. Daha proje aşamasında, oluşacak su darbelerinin etkilerini azaltacak tedbirler alınmalıdır. İyi bir proje ile sistemde oluşabilecek su darbesi önlenir.

- ▶ Havalı genişleme tankları
- ▶ Denge bacaları
- ▶ Su darbesi vanaları
- ▶ Boru çapını büyütme

Projelerde darbe önleyici olarak kullanılabilir.

Burada, denge bacaları için yüzme havuzlarındaki en büyük çalışma basıncını karşılayacak 20 - 30 metre yüksekliğe kadar boru döşemek gerekebilir. Su darbesi vanaları birçok parçayı içeren karmaşık bir sistemdir. Muhtemel arızaları ve vakumda çalışma durumunu göz önüne almak gerekebilir. Boru çaplarını büyütme sistemdeki su hızını düşüreceğinden darbenin şiddetini azaltmak için düşünülebilir. Darbe sönümleyici olarak havalı genişleme tankları yüzme havuzlarında en iyi çözüm gibi görünmektedir.



**A GREAT THREAT FOR POLYESTER SAND FILTERS  
(WATER HAMMER)**

Water hammer arises from the sudden changes in the velocity of the water inside the pipe system. Sudden change in the kinetic energy of water turns into potential energy and it generates shock waves accompanying a great loud noise. Pressure waves, knocking and vibration continue to expand to the every section of the plumbing until the energy is completely absorbed. In this situation, the system is in a great danger. Each components in the plumbing are effected from it. But the one that is effected most is the polyester filter which has the greatest volume in the system. Waves create pressure when they are in positive direction and create vacuum effect when they are in negative direction. The filter which can resist the pressure proportionally is exposed to the vacuum which it has no resistance right after the pressure. It corrugates like in a suction of a plastic bottle. If the water hammer is huge enough, the explosion of the filter is inevitable.

The water hammer demolishing each components of the system should be definitely prevented.

**How does water hammer occur ?**

1. Due to the sudden movement of the static water in the plumbing,

If the pumps are running when the control valves on the suction and discharge sides are in turned-on position, the static water suddenly gains kinetic energy and so the water hammer occurs. Whole pump manufacturers recommend to bring the control valve on discharge side to turned-off position before running the pump and so it should be. In this position the electric motor consumes minimum energy. The pressure in the pump is at maximum level when the valves are turned-off. But do not let it to mislead you. Because the pump does not consume energy as it's not discharging. The motor does nothing more than shaking the water, self friction and internal leakage. When the pump reaches to full speed the valve should be turned on gradually to release the water to the system. We would like to emphasize it one more time; the suction side control valve of the pump should never be turned off. This valve is only used for uninstillation of the pump in case of a malfunction. If a flow rate adjustment is needed, it can be done only through the discharge side control valve. If you forget to turn on the discharge side valve after running the pump, the water will overheat as a result of continuous swash and friction and this will damage the pump. If there is a danger of forgetting, both sides of the discharging valve can be by-passed with a small diameter pipe and a valve.

2. Due to the sudden stoppage of the water in motion in the plumbing,

While the system is running, turning a valve, a check valve off or shutting the pump down causes the air in the system to run out and so water hammer occurs. Time is a very important factor herein. It's the change speed of momentum in question. How short the time is so intensive the water hammer to be. If you turn the valve off gradually you should be slower when you get 20% close to turned-off position. So that water hammer will not occur. If the pump is needed to be shut down, first the control valve on discharge side should be turned-off gradually. After it was turned-off completely the pump should be shut down. The case is that : The water flowing through the plumbing has a kinetic energy and it is formulated as  $(m \cdot v^2 / 2)$ . In this formula "m" refers to volume and "v" refers to speed. That means ; as the volume and speed of the water increase the amount of energy increases too. Speed is a much more effective factor as it increases the energy proportional to its square.

**How to prevent water hammer?**

The operator who performs according to the points mentioned above will prevent the water hammer substantially. The knowledge and experience of the operator can not prevent water hammers arising from the project designing of the plumbing or power breakdowns. Measures that will lessen the effects of water hammer, should be taken yet in project stage. Water hammer which can occur through the system, should be prevented with a good project..

- ▶ Air expansion tanks,
- ▶ Surge shaft,
- ▶ Water hammer valves,
- ▶ Enlarging pipe diameter,

Should be used as water hammer preventers in project. .

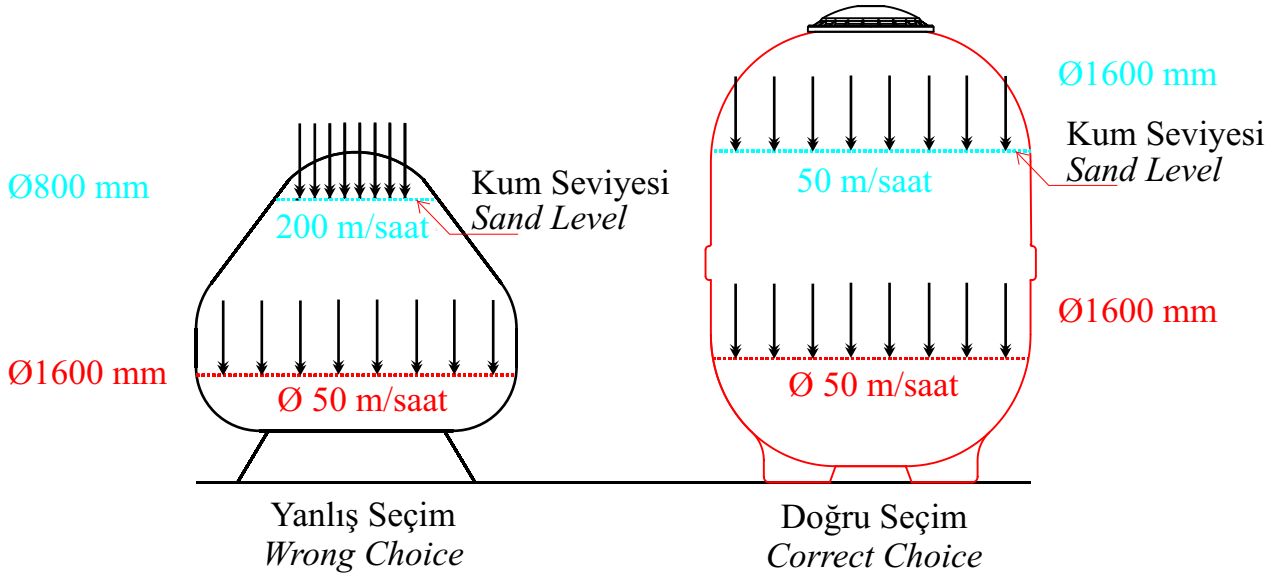
It can be needed to install a pipe shaft up to 20-30 m height for a surge shaft to meet the maximum operation pressure in swimming pools. Water hammer is a complex system containing valves and lots of other equipments. It can be necessary to consider malfunctions and operating under vacuum status. Enlarging pipe diameter can be taken into consideration to lessen the effects of water hammer to decrease the flow speed in the system. Air expansion tanks seems to be best solution as a pulse damper for swimming pools. .

### FİLTRE SEÇİMİNDE DİKKAT EDİLMESİ GEREKEN TEKNİK HUSUSLAR

Kum filtresi seçiminde göz önüne alınması gereken en önemli unsurlar suyun kumu öptüğü yüzey ve filtredeki kum katmanı yüksekliğidir. Göbeği şiş üstü dar filtrede üstte suyun akış hızı artmaktadır. Bunun yanında bir de boy kısa ise artık o filtrenin şiş göbek çapının bir mana ifade etmesi söz konusu değildir. Partiküllerin filtrede tutulması için suyun kum içindeki hızının mümkün olduğu kadar azaltılması lazımdır. Düşük hız ve yüksek kum katmanı iyi bir filtrasyon için olmazsa olmaz koşullardır. Örneğin göbeği Ø1600 mm üst tarafı Ø800 mm olan konik bir filtrede geniş taraftaki hız 50 m<sup>3</sup>/saat iken üst kısımda 200 m<sup>3</sup>/saat olur. Bu hızda artık partiküller tutulamaz ve üstte biriken pisliklerde kum yatağına doğru itilir. Su akışına karşı büyük bir direnç oluşur ve bunun sonucu debi azımsanmayacak bir şekilde düşer, havuz için gereken su devir zamanı da artar. Böyle bir filtreyi Ø800 mm'lik bir filtre olarak kabul etmek çok daha doğru bir yaklaşım olacaktır. Söz konusu bu konik filtrenin gelişmiş ülkelerin hiçbirinde kabul görmediği ve standart dışı bir ürün olduğu bilinen bir gerçektir.

### TECHNICAL ISSUES TO BE TAKEN INTO CONSIDERATION WHILE CHOOSING THE FILTER

The most important issues, which should be taken into consideration while choosing a sand filter, are the surface where water touches the sand and the height of the sand in the filter. The flow rate of water increases in a filter whose hub is wide and the upper side is narrow. In addition, if the height is low, the large hub diameter of the filter is of no importance. In order for the particles to be kept in the filter, the flow rate of water should be minimized as much as possible. Slow rate and high sand level are sine qua non conditions for fine filtration. For example, in a conical filter whose hub is Ø1600 mm and upper side is Ø800 mm, while the rate in the wide section is 50 m<sup>3</sup>/h, it will be 100 m<sup>3</sup>/h in the upper section. Particles can not be kept at this rate and the dirt accumulated in the upper section is pushed to the sand ground. A significant pressure is formed against the water flow and the flow rate decreases significantly, and the water circulation time needed for the pool increases. It will be a more accurate approach to deem such a filter as a filter of Ø800mm. It is a known fact that the said conical filter is not accepted in any of the developed countries and it is a non - standard product.



### YETKİLİ BAYİİ

