

yedek parçalar replacement parts

2022
Fiyat Listesi-Price List

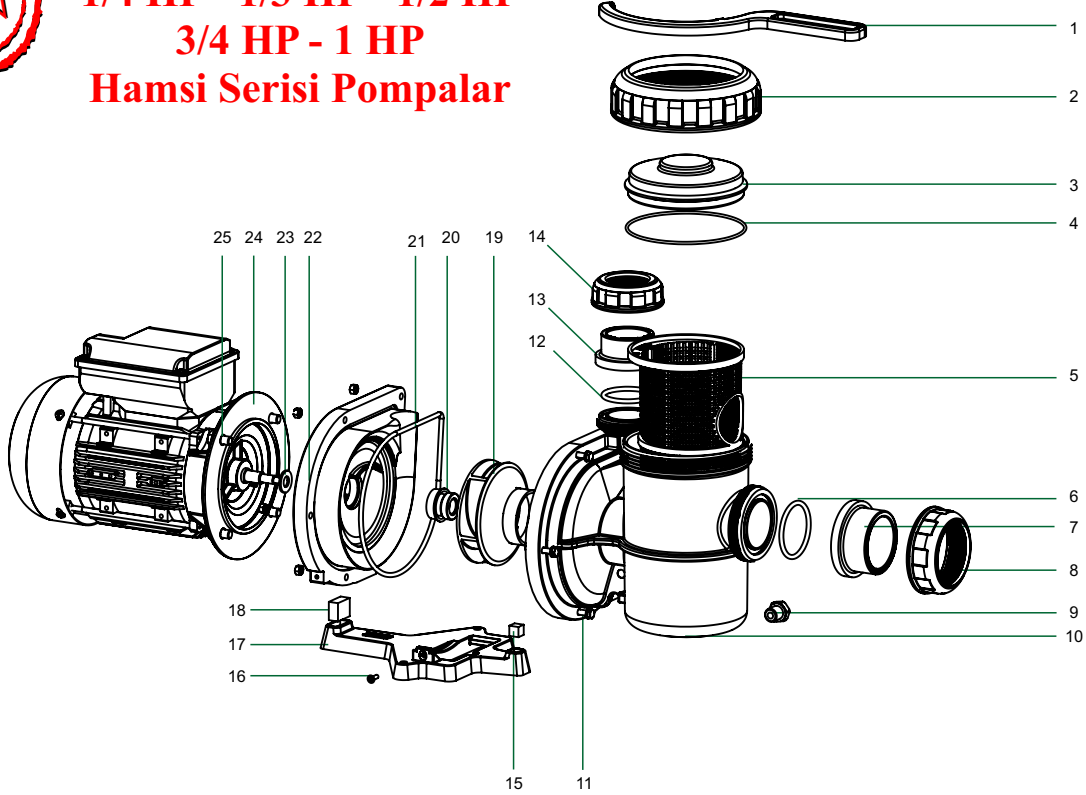
NOZBART®



PLASTİK VE MAKİNA KALIP SANAYİ VE TİCARET LİMİTED ŞİRKETİ



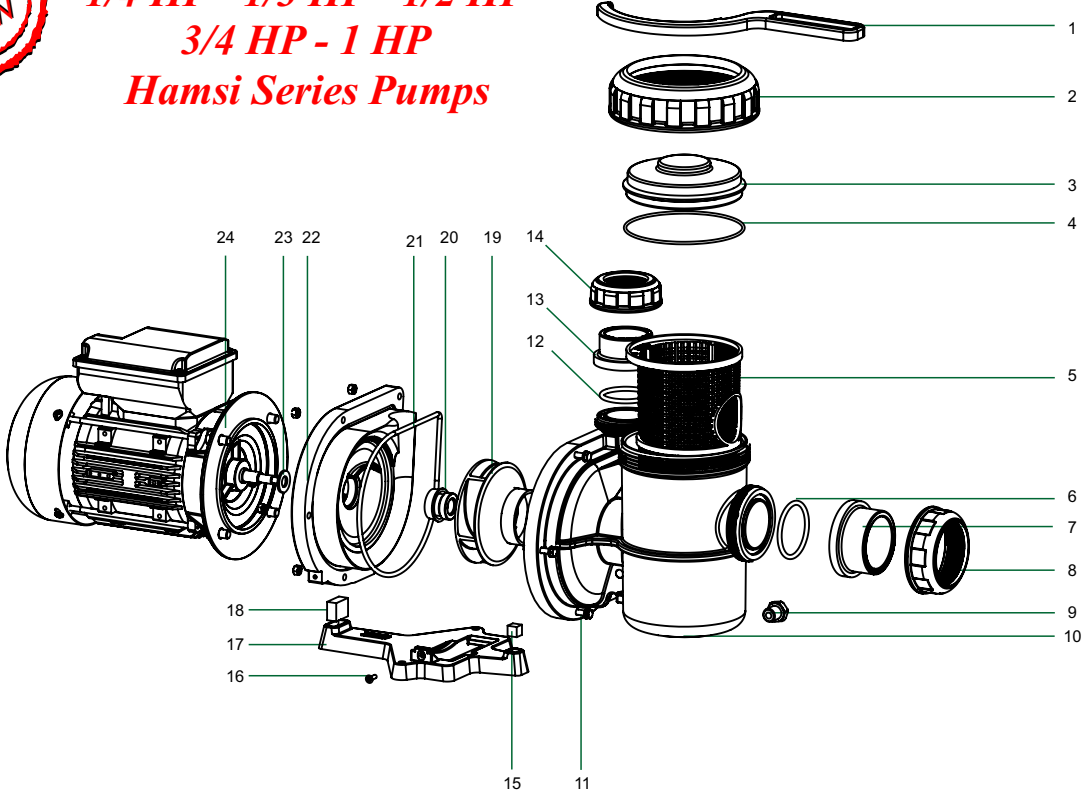
**1/4 HP - 1/3 HP - 1/2 HP
3/4 HP - 1 HP
Hamsi Serisi Pompalar**



NO	PARÇA ADI	1/4 HP		1/3 HP		1/2 HP		3/4 HP		1 HP	
		KOD	FİYATI (€)	KOD	FİYATI (€)	KOD	FİYATI (€)	KOD	FİYATI (€)	KOD	FİYATI (€)
1	Kapak anahtarı	PMP025-01	3,46	PMP025-01	3,46	PMP025-01	3,46	PMP025-01	3,46	PMP025-01	3,46
2	Önfiltrer somunu	PMP025-02	10,54	PMP025-02	10,54	PMP025-02	10,54	PMP025-02	10,54	PMP025-02	10,54
3	Önfiltrer kapağı	PMP025-03	27,55	PMP025-03	27,55	PMP025-03	27,55	PMP025-03	27,55	PMP025-03	27,55
4	Önfiltrer kapak altı o-ringi	PMP025-04	5,57	PMP025-04	5,57	PMP025-04	5,57	PMP025-04	5,27	PMP025-04	5,27
5	Süzgeç	PMP025-05	30,86	PMP025-05	30,86	PMP025-05	30,86	PMP025-05	30,86	PMP025-05	30,86
6	Boru bağlantı o-ringi	YVS-410	1,07	YVS-410	1,07	YVS-410	1,07	YVS-410	1,07	YVS-410	1,07
7	Boru bağlantı (giriş)	PMP025-07	1,43	PMP025-07	1,43	PMP025-07	1,43	PMP025-07	1,43	PMP025-07	1,43
8	Somun	PMP025-08	3,46	PMP025-08	3,46	PMP025-08	3,46	PMP025-08	3,46	PMP025-08	3,46
9	Önfiltrer tapası	PMP35-10	4,06	PMP35-10	4,06	PMP35-10	4,06	PMP35-10	4,06	PMP35-10	4,06
10	Gövde	PMP025-10	186,49	PMP025-10	186,49	PMP025-10	186,49	PMP025-10	186,49	PMP025-10	186,49
11	Önfiltrer civatası	PMP025-11	1,43	PMP025-11	1,43	PMP025-11	1,43	PMP025-11	1,43	PMP025-11	1,43
12	Boru bağlantı o-ringi	PMP025-12	1,13	PMP025-12	1,13	PMP025-12	1,13	PMP025-12	1,13	PMP025-12	1,13
13	Boru bağlantı (çıkış)	PMP025-13	1,43	PMP025-13	1,43	PMP025-13	1,43	PMP025-13	1,43	PMP025-13	1,43
14	Somun	PMP025-14	2,86	PMP025-14	2,86	PMP025-14	2,86	PMP025-14	2,86	PMP025-14	2,86
15	Ayak lastiği (önfiltrer altı)	PMP025-15	5,12	PMP025-15	5,12	PMP025-15	5,12	PMP025-15	5,12	PMP025-15	5,12
16	Ayak bağlantı vidası	PMP025-16	1,35	PMP025-16	1,35	PMP025-16	1,35	PMP025-16	1,35	PMP025-16	1,35
17	Ayak	PMP025-17	37,18	PMP025-17	37,18	PMP025-17	37,18	PMP025-17	37,18	PMP025-17	37,18
18	Motor ayak lastiği	PMP025-18	5,12	PMP025-18	5,12	PMP025-18	5,12	PMP025-18	5,12	PMP050-21	5,12
19	Çark	PMP025-19	29,50	PMP026-19	31,01	PMP027-19	32,36	PMP028-19	33,87	PMP029-19	36,58
20	Mekanik seramik salmastra	PMP025-20	61,86	PMP025-20	61,86	PMP025-20	61,86	PMP025-20	61,86	PMP025-20	61,86
21	Gövde o-ringi	PMP025-21	10,84	PMP025-21	10,84	PMP025-21	10,84	PMP025-21	10,84	PMP025-21	10,84
22	Arka gövde	PMP025-22	109,88	PMP025-22	109,88	PMP025-22	109,88	PMP025-22	109,88	PMP026-22	109,88
23	Savurma halkası	PMP025-23	1,43	PMP025-23	1,43	PMP025-23	1,43	PMP025-23	1,43	PMP025-23	1,43
24	Elektrik motoru	PMP025-24	251,37	PMP026-24	275,45	PMP027-24	293,52	PMP028-24	295,02	PMP029-24	355,23



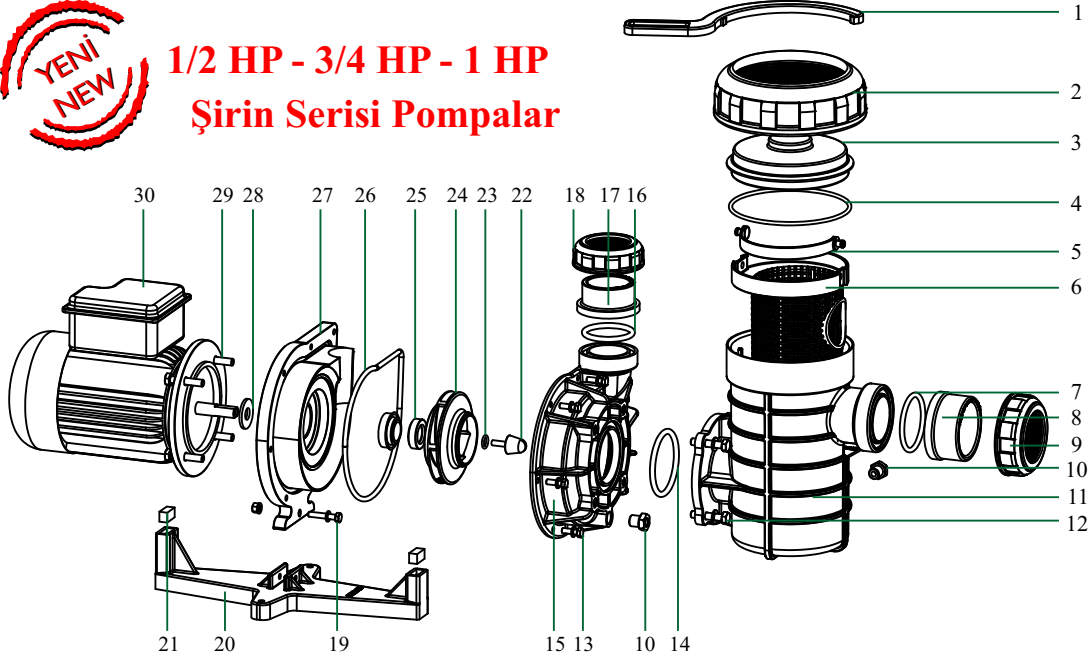
**1/4 HP - 1/3 HP - 1/2 HP
3/4 HP - 1 HP
Hamsi Series Pumps**



NO	PART NAME	1/4 HP		1/3 HP		1/2 HP		3/4 HP		1 HP	
		CODE	PRICE (€)	CODE	PRICE (€)	CODE	PRICE (€)	CODE	PRICE (€)	CODE	PRICE (€)
1	Cover key	PMP025-01	3,46	PMP025-01	3,46	PMP025-01	3,46	PMP025-01	3,46	PMP025-01	3,46
2	Strainer nut	PMP025-02	10,54	PMP025-02	10,54	PMP025-02	10,54	PMP025-02	10,54	PMP025-02	10,54
3	Strainer cover	PMP025-03	27,55	PMP025-03	27,55	PMP025-03	27,55	PMP025-03	27,55	PMP025-03	27,55
4	Strainer cover o-ring	PMP025-04	5,57	PMP025-04	5,57	PMP025-04	5,57	PMP025-04	5,27	PMP025-04	5,27
5	Basket	PMP025-05	30,86	PMP025-05	30,86	PMP025-05	30,86	PMP025-05	30,86	PMP025-05	30,86
6	Pipe connection o-ring	YVS-410	1,07	YVS-410	1,07	YVS-410	1,07	YVS-410	1,07	YVS-410	1,07
7	Pipe connection (inlet)	PMP025-07	1,43	PMP025-07	1,43	PMP025-07	1,43	PMP025-07	1,43	PMP025-07	1,43
8	Nut	PMP025-08	3,46	PMP025-08	3,46	PMP025-08	3,46	PMP025-08	3,46	PMP025-08	3,46
9	Drain plug	PMP35-10	4,06	PMP35-10	4,06	PMP35-10	4,06	PMP35-10	4,06	PMP35-10	4,06
10	Face plate	PMP025-10	186,49	PMP025-10	186,49	PMP025-10	186,49	PMP025-10	186,49	PMP025-10	186,49
11	Strainer bolt	PMP025-11	1,43	PMP025-11	1,43	PMP025-11	1,43	PMP025-11	1,43	PMP025-11	1,43
12	Pipe connection o-ring	PMP025-12	1,13	PMP025-12	1,13	PMP025-12	1,13	PMP025-12	1,13	PMP025-12	1,13
13	Pipe connection (outlet)	PMP025-13	1,43	PMP025-13	1,43	PMP025-13	1,43	PMP025-13	1,43	PMP025-13	1,43
14	Nut	PMP025-14	2,86	PMP025-14	2,86	PMP025-14	2,86	PMP025-14	2,86	PMP025-14	2,86
15	Mounting base rubber	PMP025-15	5,12	PMP025-15	5,12	PMP025-15	5,12	PMP025-15	5,12	PMP025-15	5,12
16	Mounting base connection bolts	PMP025-16	1,35	PMP025-16	1,35	PMP025-16	1,35	PMP025-16	1,35	PMP025-16	1,35
17	Mounting base	PMP025-17	37,18	PMP025-17	37,18	PMP025-17	37,18	PMP025-17	37,18	PMP025-17	37,18
18	Motor mounting base rubber	PMP025-18	5,12	PMP025-18	5,12	PMP025-18	5,12	PMP025-18	5,12	PMP050-21	5,12
19	Impeller	PMP025-19	29,50	PMP026-19	31,01	PMP027-19	32,36	PMP028-19	33,87	PMP029-19	36,58
20	Mechanical seal	PMP025-20	61,86	PMP025-20	61,86	PMP025-20	61,86	PMP025-20	61,86	PMP025-20	61,86
21	Body o-ring	PMP025-21	10,84	PMP025-21	10,84	PMP025-21	10,84	PMP025-21	10,84	PMP025-21	10,84
22	Seal plate	PMP025-22	109,88	PMP025-22	109,88	PMP025-22	109,88	PMP025-22	109,88	PMP026-22	109,88
23	Slinger	PMP025-23	1,43	PMP025-23	1,43	PMP025-23	1,43	PMP025-23	1,43	PMP025-23	1,43
24	Electric Motor	PMP025-24	251,37	PMP026-24	275,45	PMP027-24	310,07	PMP028-24	295,02	PMP029-24	355,23



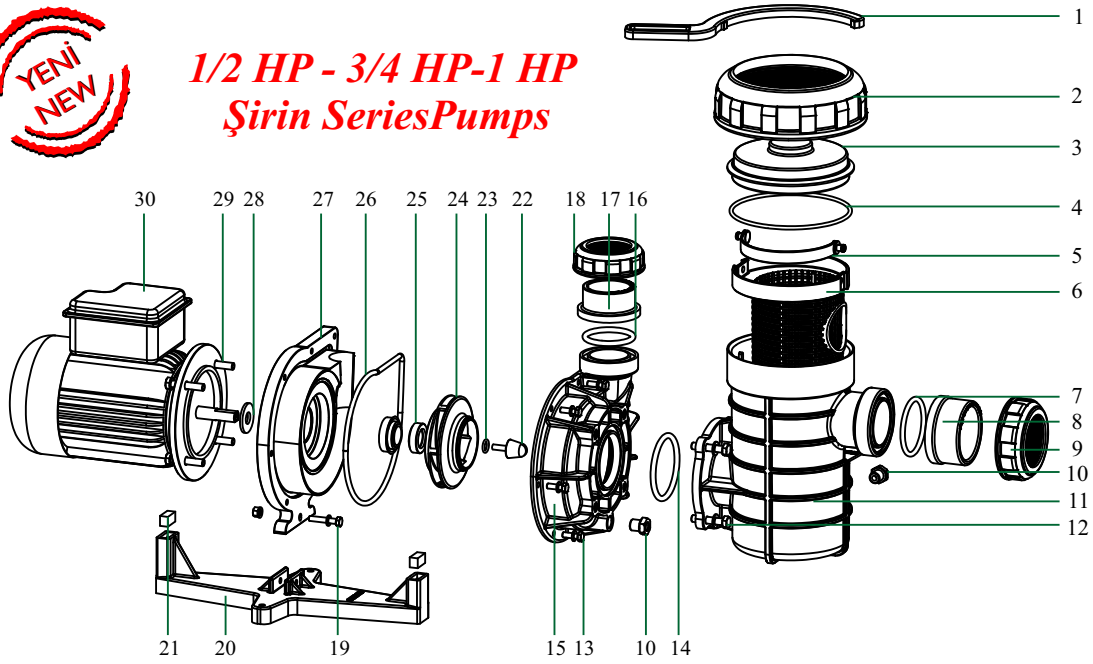
**1/2 HP - 3/4 HP - 1 HP
Şirin Serisi Pompalar**



NO	PARÇA ADI	0.5 HP		0.75 HP		1 HP	
		KOD	FİYATI (€)	KOD	FİYATI (€)	KOD	FİYATI (€)
1	Kapak anahtarı	PMP050-01	4,82	PMP050-01	4,82	PMP050-01	4,82
2	Önfiltrer somunu	PMP050-02	14,90	PMP050-02	14,90	PMP050-02	14,90
3	Önfiltrer kapağı	PMP050-03	38,68	PMP050-03	38,68	PMP050-03	38,68
4	Önfiltrer kapak altı o-ringi	PMP050-04	7,38	PMP050-04	7,38	PMP050-04	7,38
5	Önfiltrer süzgeç sapı	PMP050-05	5,57	PMP050-05	5,57	PMP050-05	5,57
6	Süzgeç	PMP050-06	43,50	PMP050-06	43,50	PMP050-06	43,50
7	Boru bağlantı o-ringi	PMP050-07	1,43	PMP050-07	1,43	PMP050-07	1,43
8	Boru bağlantı (giriş)	FKL-050	1,07	YPC-217	3,69	YPC-217	3,69
9	Somun	YVS-505	3,69	YPC-218	4,47	YPC-218	4,47
10	Önfiltrer tapası	PMP35-10	4,06	PMP35-10	4,06	PMP35-10	4,06
11	Önfiltrer gövdesi	PMP050-11	93,62	PMP050-11	93,62	PMP050-11	93,62
12	Önfiltrer civatası	PMP050-12	1,96	PMP050-12	1,96	PMP050-12	1,96
13	Gövde civatası	PMP050-13	1,28	PMP050-13	1,28	PMP050-13	1,28
14	Filtre bağlantı o-ringi	PMP050-14	3,46	PMP050-14	3,46	PMP050-14	3,46
15	Ön Gövde	PMP050-15	170,69	PMP050-15	170,69	PMP050-15	170,69
16	Boru bağlantı o-ringi	PMP050-16	1,43	PMP050-16	1,43	PMP050-16	1,43
17	Boru bağlantı (çıkış)	PMP025-07	1,43	PMP025-07	1,43	PMP025-07	1,43
18	Somun	PMP025-08	3,46	PMP025-08	3,46	PMP025-08	3,46
19	Ayak bağlantı civatası	PMP050-19	1,96	PMP050-19	1,96	PMP050-19	1,96
20	Ayak	PMP050-20	52,23	PMP050-20	52,23	PMP050-20	52,23
21	Ayak lastiği	PMP050-21	7,07	PMP050-21	7,07	PMP050-21	7,07
22	Çark tespit civatası	YPS-020	7,22	YPS-020	7,22	YPS-020	7,22
23	Çark tespit o-ringi	PMP050-23	1,13	PMP050-23	1,13	PMP050-23	1,13
24	Çark	PMP050-24	51,48	PMP075-24	51,48	PMP100-24	51,48
25	Mekanik salmastra	YPS-023	88,05	YPS-023	88,05	YPS-023	88,05
26	Gövde o-ringi	PMP050-26	15,20	PMP050-26	15,20	PMP050-26	15,20
27	Arka gövde	PMP050-27	154,89	PMP050-27	154,89	PMP050-27	154,89
28	Savurma halkası	PMP050-28	1,43	PMP050-28	1,43	PMP050-28	1,43
29	Motor bağlantı civatası	PMP75-18	5,27	PMP75-18	5,27	PMP75-18	5,27
30	Elektrik Motoru (mono)	PMP050-30	316,09	PMP075-30	329,44	PMP100-30	356,73

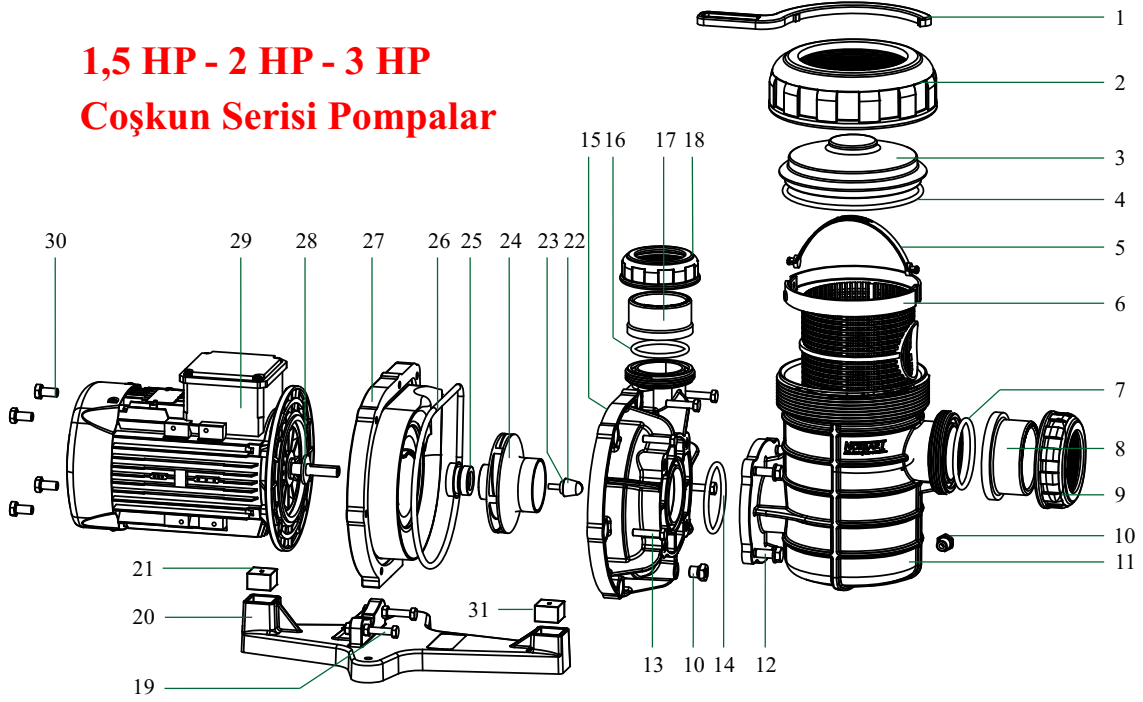


1/2 HP - 3/4 HP-1 HP Şirin Series Pumps



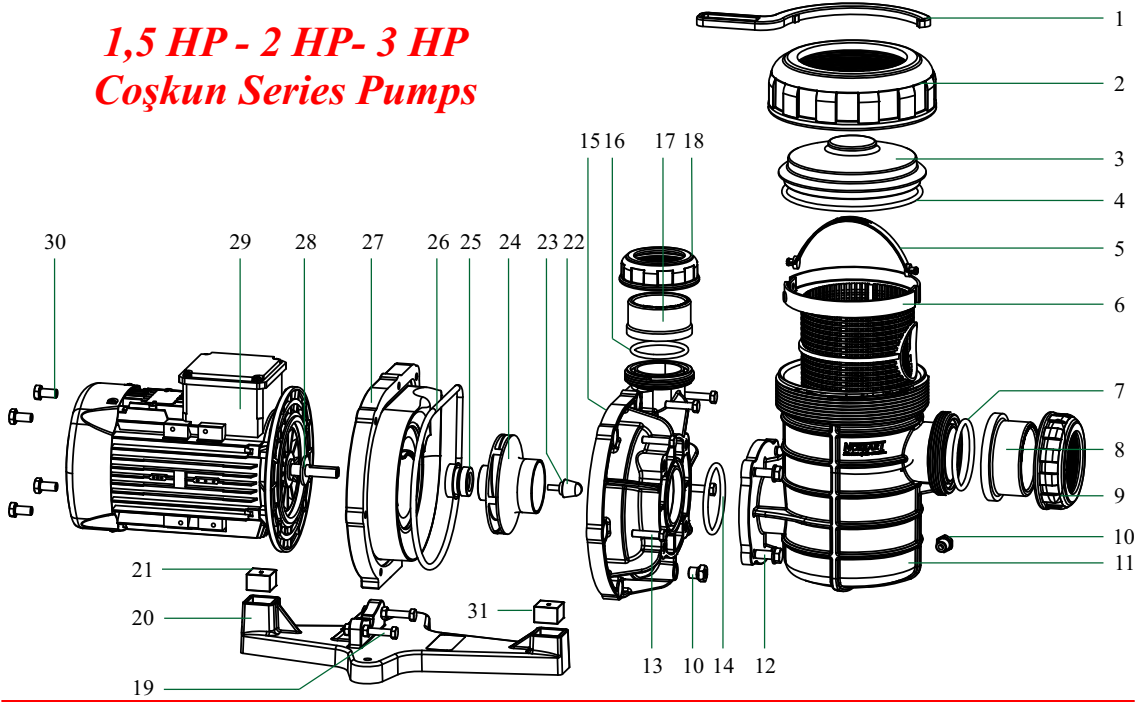
NO	PART NAME	0.5 HP		0.75 HP		1 HP	
		CODE	PRICE (€)	CODE	PRICE (€)	CODE	PRICE (€)
1	Cover key	PMP050-01	4,82	PMP050-01	4,82	PMP050-01	4,82
2	Strainer nut	PMP050-02	14,90	PMP050-02	14,90	PMP050-02	14,90
3	Strainer cover	PMP050-03	38,68	PMP050-03	38,68	PMP050-03	38,68
4	Strainer cover o-ring	PMP050-04	7,38	PMP050-04	7,38	PMP050-04	7,38
5	Strainer basket handle	PMP050-05	5,57	PMP050-05	5,57	PMP050-05	5,57
6	Basket	PMP050-06	43,50	PMP050-06	43,50	PMP050-06	43,50
7	Pipe connection o-ring	PMP050-07	1,43	PMP050-07	1,43	PMP050-07	1,43
8	Pipe connection (inlet)	FKL-050	1,07	YPC-217	3,69	YPC-217	3,69
9	Nut	YVS-505	3,69	YPC-218	4,47	YPC-218	4,47
10	Drain plug	PMP35-10	4,06	PMP35-10	4,06	PMP35-10	4,06
11	Strainer housing	PMP050-11	93,62	PMP050-11	93,62	PMP050-11	93,62
12	Strainer bolt	PMP050-12	1,96	PMP050-12	1,96	PMP050-12	1,96
13	Face plate bolt	PMP050-13	1,28	PMP050-13	1,28	PMP050-13	1,28
14	Strainer o-ring	PMP050-14	3,46	PMP050-14	3,46	PMP050-14	3,46
15	Face plate	PMP050-15	170,69	PMP050-15	170,69	PMP050-15	170,69
16	Pipe connection o-ring	PMP050-16	1,43	PMP050-16	1,43	PMP050-16	1,43
17	Pipe connection (outlet)	PMP025-07	1,43	PMP025-07	1,43	PMP025-07	1,43
18	Nut	PMP025-08	3,46	PMP025-08	3,46	PMP025-08	3,46
19	Mounting base connection bolts	PMP050-19	1,96	PMP050-19	1,96	PMP050-19	1,96
20	Mounting base	PMP050-20	52,23	PMP050-20	52,23	PMP050-20	52,23
21	Mounting base rubber	PMP050-21	7,07	PMP050-21	7,07	PMP050-21	7,07
22	Impeller screw	YPS-020	7,22	YPS-020	7,22	YPS-020	7,22
23	Impeller o-ring	PMP050-23	1,13	PMP050-23	1,13	PMP050-23	1,13
24	Impeller	PMP050-24	51,48	PMP075-24	51,48	PMP100-24	51,48
25	Mechanical seal	YPS-023	88,05	YPS-023	88,05	YPS-023	88,05
26	Body o-ring	PMP050-26	15,20	PMP050-26	15,20	PMP050-26	15,20
27	Seal plate	PMP050-27	154,89	PMP050-27	154,89	PMP050-27	154,89
28	Slinger	PMP050-28	1,43	PMP050-28	1,43	PMP050-28	1,43
29	Motor bolt	PMP75-18	5,27	PMP75-18	5,27	PMP75-18	5,27
30	Electric Motor (monophase)	PMP050-30	316,09	PMP075-30	329,44	PMP100-30	356,73

1,5 HP - 2 HP - 3 HP
Coşkun Serisi Pompalar



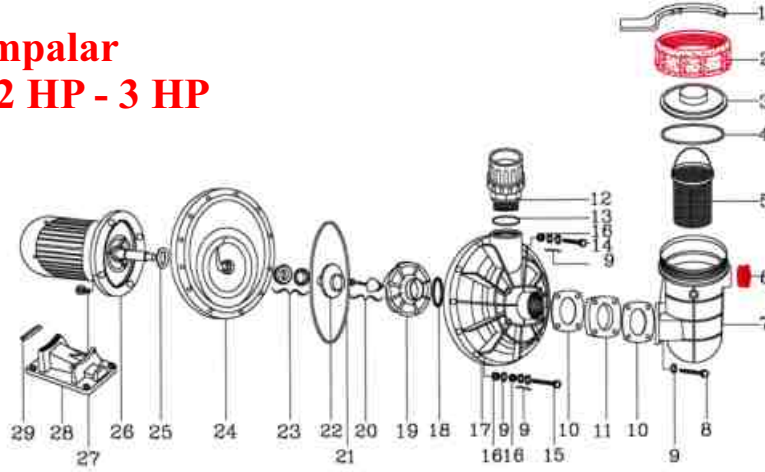
NO	PARÇA ADI	1.5 HP		2 HP		3 HP	
		KOD	FİYATI (€)	KOD	FİYATI (€)	KOD	FİYATI (€)
1	Kapak anahtarı	YPC-001	5,27	YPC-001	5,27	YPC-001	5,27
2	Önfiltrer somunu	YPC-102	28,75	YPC-102	28,75	YPC-102	28,75
3	Önfiltrer kapağı	YPC-103	47,41	YPC-103	47,41	YPC-103	47,41
4	Önfiltrer kapak altı o-ringi	YPC-104	8,28	YPC-104	8,28	YPC-104	8,28
5	Önfiltrer süzgeç sapı	PMP35-05	6,17	PMP35-05	6,17	PMP35-05	6,17
6	Süzgeç	YPC-106	55,69	YPC-106	55,69	YPC-106	55,69
7	Boru bağlantı o-ringi	YVS-709	3,55	YVS-709	3,55	YVS-709	3,55
8	Boru bağlantı	FKL-063	1,09	YPC-208	1,73	YPC-208	1,73
9	Somun	YVS-605	4,97	YPC-209	6,32	YPC-209	6,32
10	Önfiltrer tapası	PMP35-10	4,06	PMP35-10	4,06	PMP35-10	4,06
11	Önfiltrer gövdesi	YPC-111	133,36	YPC-111	133,36	YPC-111	133,36
12	Önfiltrer gövdesi	YPC-112	1,28	YPC-112	1,28	YPC-112	1,28
13	Gövde cıvatası	YPC-113	2,26	YPC-113	2,26	YPC-113	2,26
14	Filtre bağlantı o-ringi	YPC-114	3,46	YPC-114	3,46	YPC-114	3,46
15	Ön Gövde	YPC-115	162,86	YPC-115	162,86	YPC-115	162,86
16	Boru bağlantı o-ringi	PMP050-07	1,43	PMP050-07	1,43	PMP050-07	1,43
17	Boru bağlantı	FKL-050	1,07	YPC-217	2,56	YPC-217	2,56
18	Somun	YVS-505	3,69	YPC-218	4,74	YPC-218	4,74
19	Ayak bağlantı cıvatası	YPC-119	1,96	YPC-119	1,96	YPC-119	1,96
20	Ayak	YPC-120	57,95	YPC-120	57,95	YPC-120	57,95
21	Ayak lastiği (motor altı)	YPC-221	6,62	YPC-121	6,62	YPC-121	6,62
22	Çark tespit cıvatası	YPS-020	7,22	YPS-020	7,22	YPS-020	7,22
23	Çark tespit o-ringi	PMP050-23	1,13	PMP050-23	1,13	PMP050-23	1,13
24	Çark	YPC-123	57,20	YPC-223	62,32	YPC-323	63,97
25	Mekanik salmastra	YPS-023	88,05	YPS-023	88,05	YPS-023	88,05
26	Gövde o-ringi	YPC-126	15,20	YPC-126	15,20	YPC-126	15,20
27	Arka gövde	YPC-127	176,26	YPC-127	176,26	YPC-127	176,26
28	Savurma halkası	PMP050-28	1,43	PMP050-28	1,43	PMP050-28	1,43
29	Elektrik Motoru (monofaze)	YPC-128M	418,45	YPC-228M	468,12	YPC-328M	511,80
	Elektrik Motoru (trifaze)	YPC-128T	358,24	YPC-228T	439,52	YPC-328T	490,70
30	Motor bağlantı cıvatası	YPC-130	2,26	YPC-130	2,26	YPC-130	2,26
31	Ayak lastiği (önfiltrer altı)	YPC-121	6,62	YPC-121	6,62	YPC-121	6,62

1,5 HP - 2 HP- 3 HP Coşkun Series Pumps



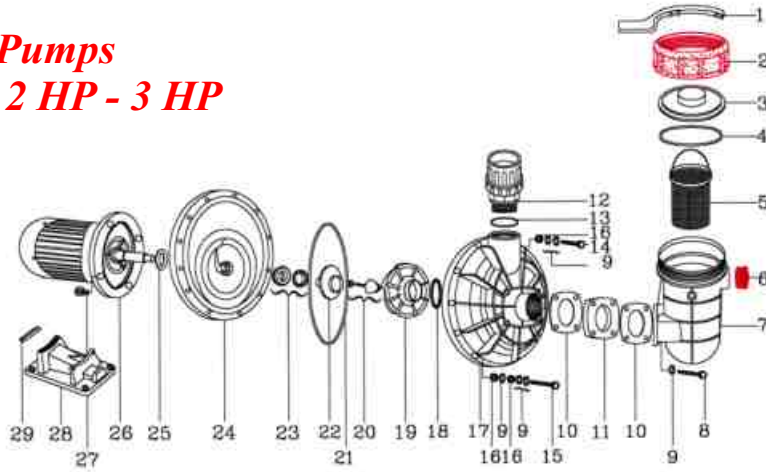
NO	PART NAME	1.5 HP		2 HP		3 HP	
		CODE	PRICE (€)	CODE	PRICE (€)	CODE	PRICE (€)
1	Cover key	YPC-001	5,27	YPC-001	5,27	YPC-001	5,27
2	Strainer nut	YPC-102	28,75	YPC-102	28,75	YPC-102	28,75
3	Strainer cover	YPC-103	47,41	YPC-103	47,41	YPC-103	47,41
4	Strainer cover o-ring	YPC-104	8,28	YPC-104	8,28	YPC-104	8,28
5	Strainer basket handle	PMP35-05	6,17	PMP35-05	6,17	PMP35-05	6,17
6	Basket	YPC-106	55,69	YPC-106	55,69	YPC-106	55,69
7	Pipe connection o-ring	YVS-709	3,55	YVS-709	3,55	YVS-709	3,55
8	Pipe connection	FKL-063	1,09	YPC-208	1,73	YPC-208	1,73
9	Nut	YVS-605	4,97	YPC-209	6,32	YPC-209	6,32
10	Drain plug	PMP35-10	4,06	PMP35-10	4,06	PMP35-10	4,06
11	Strainer housing	YPC-111	133,36	YPC-111	133,36	YPC-111	133,36
12	Strainer bolt	YPC-112	1,28	YPC-112	1,28	YPC-112	1,28
13	Face plate bolt	YPC-113	2,26	YPC-113	2,26	YPC-113	2,26
14	Strainer o-ring	YPC-114	3,46	YPC-114	3,46	YPC-114	3,46
15	Face plate	YPC-115	162,86	YPC-115	162,86	YPC-115	162,86
16	Pipe connection o-ring	PMP050-07	1,43	PMP050-07	1,43	PMP050-07	1,43
17	Pipe connection	FKL-050	1,07	YPC-217	2,56	YPC-217	2,56
18	Nut	YVS-505	3,69	YPC-218	4,74	YPC-218	4,74
19	Mounting base connection bolts	YPC-119	1,96	YPC-119	1,96	YPC-119	1,96
20	Mounting base	YPC-120	57,95	YPC-120	57,95	YPC-120	57,95
21	Mounting base rubber (motor)	YPC-221	6,62	YPC-121	6,62	YPC-121	6,62
22	Impeller screw	YPS-020	7,22	YPS-020	7,22	YPS-020	7,22
23	Impeller o-ring	PMP050-23	1,13	PMP050-23	1,13	PMP050-23	1,13
24	Impeller	YPC-123	57,20	YPC-223	62,32	YPC-323	63,97
25	Mechanical seal	YPS-023	88,05	YPS-023	88,05	YPS-023	88,05
26	Body o-ring	YPC-126	15,20	YPC-126	15,20	YPC-126	15,20
27	Seal plate	YPC-127	176,26	YPC-127	176,26	YPC-127	176,26
28	Slinger	PMP050-28	1,43	PMP050-28	1,43	PMP050-28	1,43
29	Electric Motor (monophase)	YPC-128M	418,45	YPC-228M	468,12	YPC-328M	511,80
	Electric Motor (triphas)	YPC-128T	358,24	YPC-228T	439,52	YPC-328T	490,70
30	Motor bolt	YPC-130	2,26	YPC-130	2,26	YPC-130	2,26
31	Mounting base rubber (pre filter)	YPC-121	6,62	YPC-121	6,62	YPC-121	6,62

İlk Seri Pompalar
1 HP - 1,5 HP - 2 HP - 3 HP



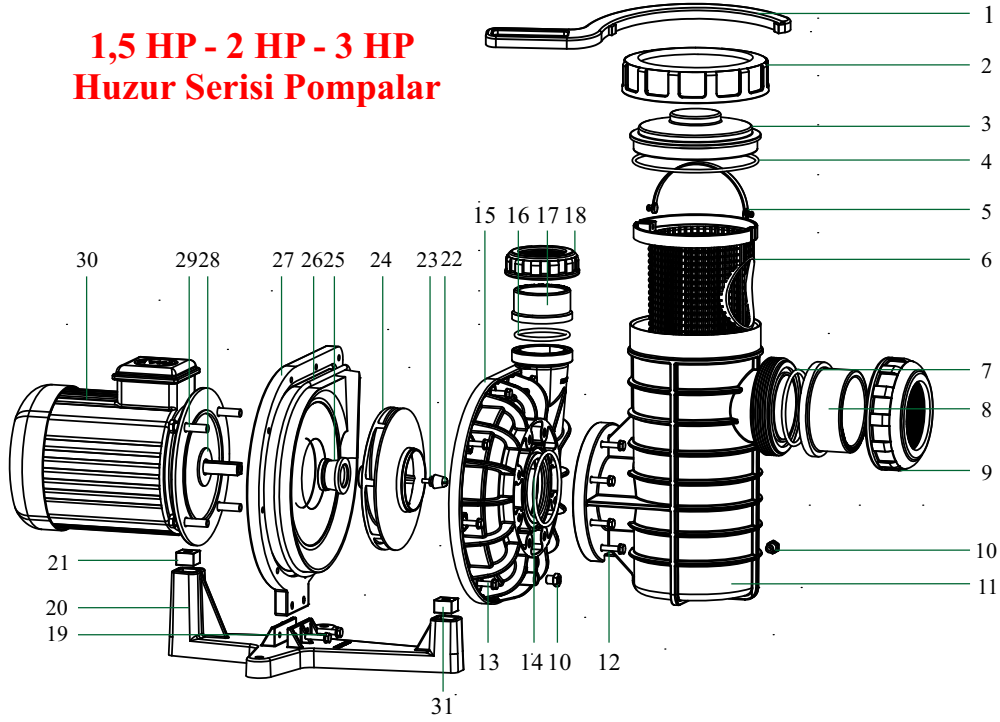
NO	PARÇA ADI	1 HP		1.5 HP		2 HP		3 HP	
		KOD	FİYATI (€)	KOD	FİYATI (€)	KOD	FİYATI (€)	KOD	FİYATI (€)
1	Kapak anahtarı	YPS-001	5,27	YPS-001	5,27	YPS-201	5,42	YPS-201	5,42
2	Önfiltrer somunu	YPS-002	27,85	YPS-002	27,85	YPS-202	28,75	YPS-202	28,75
3	Önfiltrer kapağı	YPS-003	43,05	YPS-003	43,05	YPS-203	47,41	YPS-203	47,41
4	Önfiltrer kapak altı o-ringi	YPC-104	8,28	YPC-104	8,28	YPS-204	8,73	YPS-204	8,73
5	Süzgeç	YPS-005	48,62	YPS-005	48,62	YPS-205	55,69	YPS-205	55,69
6	Önfiltrer tapası	YPS-006	-	YPS-006	-	YPS-006	-	YPS-006	-
7	Önfiltrer gövdesi	YPS-007	104,01	YPS-007	104,01	YPS-207	133,36	YPS-207	133,36
8	Önfiltrer civatası	PMP15-19	5,27	PMP15-19	5,27	PMP15-19	5,27	PMP15-19	5,27
9	M8 pul	YPS-009	0,83	YPS-009	0,83	YPS-009	0,83	YPS-009	0,83
10	Önfiltrer ara contası	YPS-010	6,02	YPS-010	6,02	YPS-010	6,02	YPS-010	6,02
11	Önfiltrer ara parçası	YPS-011	8,28	YPS-011	8,28	YPS-011	8,28	YPS-011	8,28
12	1½" – 2" Dıştan dişli rakor	YPS-012	-	YPS-012	-	YPS-212	-	YPS-212	-
13	Rakor o-ringi	PMP050-07	1,43	PMP050-07	1,43	PMP050-07	1,43	PMP050-07	1,43
14	Pompa gövde civatası	PMP35-13	5,27	PMP35-13	5,27	PMP35-13	5,27	PMP35-13	5,27
15	Pompa gövde alt civatası	YPS-015	2,11	YPS-015	2,11	YPS-015	2,11	YPS-015	2,11
16	Cıvatalı somunu	YPS-016	1,28	YPS-016	1,28	YPS-016	1,28	YPS-016	1,28
17	Ön gövde	YPS-017	162,86	YPS-017	162,86	YPS-017	162,86	YPS-017	162,86
18	Difüzör contası	YPS-018	2,56	YPS-018	2,56	YPS-018	2,56	YPS-018	2,56
19	Difüzör	YPS-019	23,18	YPS-019	23,18	YPS-219	23,18	YPS-319	23,13
20	Sol vida	YPS-020	7,22	YPS-020	7,22	YPS-020	7,22	YPS-020	7,22
21	Gövde o-ringi	YPS-021	15,20	YPS-021	15,20	YPS-021	15,20	YPS-021	15,20
22	Çark	YPS-022	57,65	YPS-122	57,65	YPS-222	63,97	YPS-322	63,97
23	Mekanik seramik salmastra	YPS-023	88,05	YPS-023	88,05	YPS-023	62,01	YPS-023	62,01
24	Arka gövde	YPS-024	176,26	YPS-024	176,26	YPS-024	176,26	YPS-024	176,26
25	Savurma halkası	YPS-025	1,43	YPS-025	1,43	YPS-025	1,43	YPS-025	1,43
26	Elektrik motoru 0,75 KW Tek faz (monofaze) 1,1 KW Tek faz (monofaze) 1,5 KW Tek faz (monofaze) 2,2 KW Tek faz (monofaze) 0,75 KW Üç faz (trifaze) 1,1 KW Üç faz (trifaze) 1,5 KW Üç faz (trifaze) 2,2 KW Üç faz (trifaze)	YPS-026M YPS-026T	361,25 326,63	YPS-126M YPS-126T	361,25 326,63	YPS-226M YPS-226T	468,12 439,60	YPS-326M YPS-326T	511,77 490,70
27	Motor civatası	YPS-027	2,26	YPS-027	2,26	YPS-027	2,26	YPS-027	2,26
28	Ayak	YPS-028	57,95	YPS-028	57,95	YPS-028	57,95	YPS-028	57,95
29	Ayak lastiği	YPS-029	5,27	YPS-029	5,27	YPS-029	5,27	YPS-029	5,27

İlk Series Pumps 1 HP - 1,5 HP - 2 HP - 3 HP



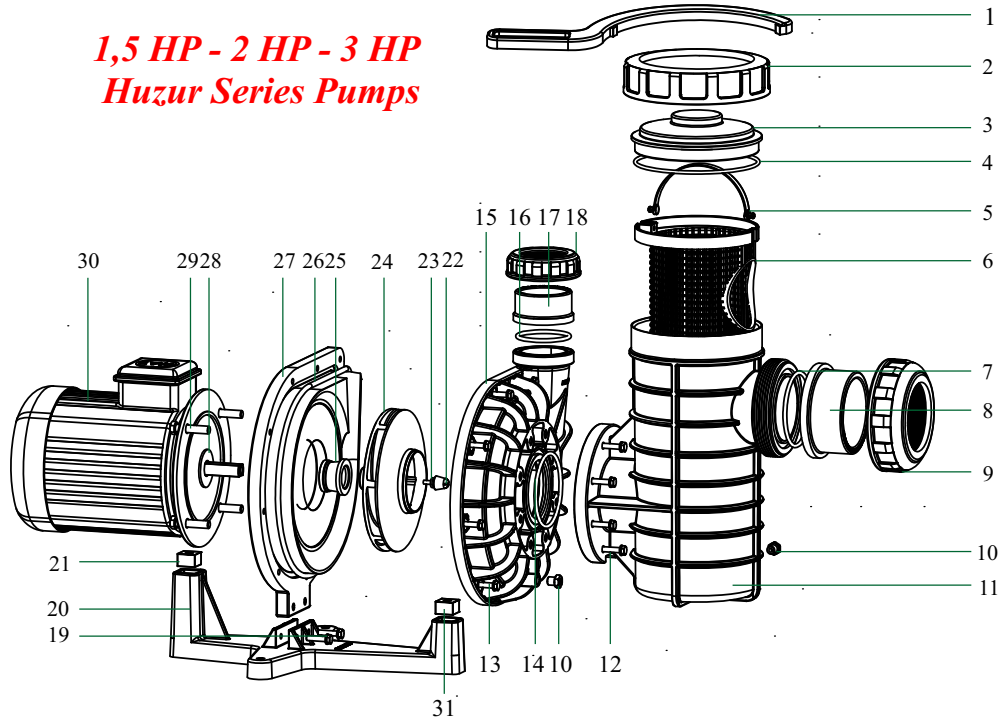
NO	PART NAME	1 HP		1.5 HP		2 HP		3 HP	
		CODE	PRICE € / UNT	CODE	PRICE € / UNT	CODE	PRICE € / UNT	CODE	PRICE € / UNT
1	Cover key	YPS-001	5,27	YPS-001	5,27	YPS-201	5,42	YPS-201	5,42
2	Strainer nut	YPS-002	27,85	YPS-002	27,85	YPS-202	28,75	YPS-202	28,75
3	Strainer cover	YPS-003	43,05	YPS-003	43,05	YPS-203	47,41	YPS-203	47,41
4	Strainer cover o-ring	YPC-104	8,28	YPC-104	8,28	YPS-204	8,73	YPS-204	8,73
5	Basket	YPS-005	48,62	YPS-005	48,62	YPS-205	55,69	YPS-205	55,69
6	Strainer plug	YPS-006	-	YPS-006	-	YPS-006	-	YPS-006	-
7	Strainer housing	YPS-007	104,01	YPS-007	104,01	YPS-207	133,36	YPS-207	133,36
8	Strainer cap screw	PMP15-19	5,27	PMP15-19	5,27	PMP15-19	5,27	PMP15-19	5,27
9	M8 washer	YPS-009	0,83	YPS-009	0,83	YPS-009	0,83	YPS-009	0,83
10	Strainer gasket	YPS-010	6,02	YPS-010	6,02	YPS-010	6,02	YPS-010	6,02
11	Strainer intermediate part	YPS-011	8,28	YPS-011	8,28	YPS-011	8,28	YPS-011	8,28
12	1 1/2" - 2" Ext. threaded union	YPS-012	-	YPS-012	-	YPS-212	-	YPS-212	-
13	Union o-ring	PMP050-07	1,43	PMP050-07	1,43	PMP050-07	1,43	PMP050-07	1,43
14	Face plate screw	PMP35-13	5,27	PMP35-13	5,27	PMP35-13	5,27	PMP35-13	5,27
15	Face plate bottom screw	YPS-015	2,11	YPS-015	2,11	YPS-015	2,11	YPS-015	2,11
16	Screw nut	YPS-016	1,28	YPS-016	1,28	YPS-016	1,28	YPS-016	1,28
17	Face plate	YPS-017	162,86	YPS-017	162,86	YPS-017	162,86	YPS-017	162,86
18	Diffuser gasket	YPS-018	2,56	YPS-018	2,56	YPS-018	2,56	YPS-018	2,56
19	Diffuser	YPS-019	23,18	YPS-019	23,18	YPS-219	23,18	YPS-319	23,13
20	Screw	YPS-020	7,22	YPS-020	7,22	YPS-020	7,22	YPS-020	7,22
21	O-ring body	YPS-021	15,20	YPS-021	15,20	YPS-021	15,20	YPS-021	15,20
22	Impeller	YPS-022	57,65	YPS-122	57,65	YPS-222	63,97	YPS-322	63,97
23	Mechanical seal	YPS-023	88,05	YPS-023	88,05	YPS-023	62,01	YPS-023	62,01
24	Seal plate	YPS-024	176,26	YPS-024	176,26	YPS-024	176,26	YPS-024	176,26
25	Slinger	YPS-025	1,43	YPS-025	1,43	YPS-025	1,43	YPS-025	1,43
26	Electric motor 0,75 KW Monophase	YPS-026M	361,25	YPS-126M	361,25	YPS-226M	468,12	YPS-326M	511,77
	1,1 KW Monophase								
	1,5 KW Monophase								
	2,2 KW Monophase								
0,75 KW Triphase	YPS-026T	326,63	YPS-126T	326,63	YPS-226T	439,60			
1,1 KW Triphase									
1,5 KW Triphase									
2,2 KW Triphase									
27	Motor screw	YPS-027	2,26	YPS-027	2,26	YPS-027	2,26	YPS-027	2,26
28	Mounting base	YPS-028	57,95	YPS-028	57,95	YPS-028	57,95	YPS-028	57,95
29	Pad, rubber	YPS-029	5,27	YPS-029	5,27	YPS-029	5,27	YPS-029	5,27

**1,5 HP - 2 HP - 3 HP
Huzur Serisi Pompalar**



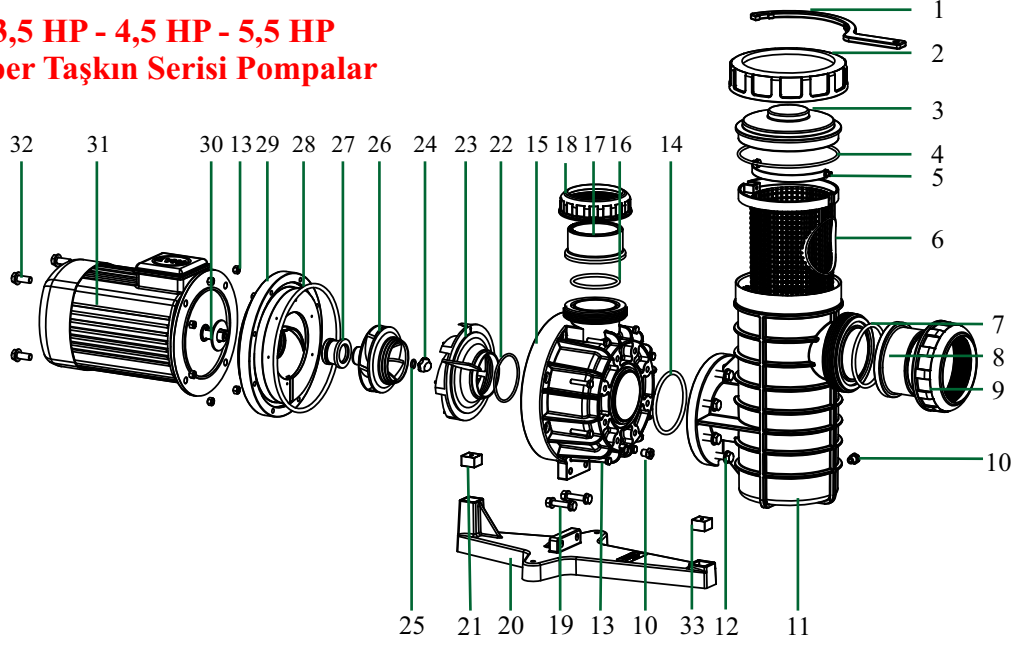
NO	PARÇA ADI	1.5 HP		2 HP		3 HP	
		KOD	FİYATI(€)	KOD	FİYATI(€)	KOD	FİYATI(€)
1	Kapak anahtarı	YPS-201	5,42	YPS-201	5,42	YPS-201	5,42
2	Önfiltrer somunu	YPS-202	28,75	YPS-202	28,75	YPS-202	28,75
3	Önfiltrer kapağı	PMP35-03	51,33	PMP35-03	51,33	PMP35-03	51,33
4	Önfiltrer kapak altı o-ringi	PMP35-04	10,24	PMP35-04	10,24	PMP35-04	10,24
5	Önfiltrer süzgeç sapı	PMP35-05	6,17	PMP35-05	6,17	PMP35-05	6,17
6	Süzgeç	PMP35-06	101,15	PMP35-06	101,15	PMP35-06	101,15
7	Boru bağlantı o-ringi	PMP35-07	7,53	PMP35-07	7,53	PMP35-07	7,53
8	Boru bağlantı	FKL-090	1,79	FKL-090	1,79	FKL-090	1,79
9	Somun	YVS-805	13,77	YVS-805	13,77	YVS-805	13,77
10	Önfiltrer tapası	PMP35-10	4,06	PMP35-10	4,06	PMP35-10	4,06
11	Önfiltrer gövdesi	PMP35-11	402,64	PMP15-11	402,64	PMP15-11	402,64
12	Önfiltrer cıvatası	PMP35-12	6,17	PMP15-12	6,17	PMP15-12	6,17
13	Gövde cıvatası	YPC-113	2,26	YPC-113	2,26	YPC-113	2,26
14	Filtre bağlantı o-ringi	PMP35-07	7,53	PMP35-07	7,53	PMP35-07	7,53
15	Ön Gövde	PMP15-15	365,31	PMP15-15	365,31	PMP15-15	365,31
16	Boru bağlantı o-ringi	YVS-709	3,55	YVS-709	3,55	YVS-709	3,55
17	Boru bağlantı	PMP15-17	8,58	PMP15-17	8,58	PMP15-17	8,58
18	Somun	PMP15-18	12,04	PMP15-18	12,04	PMP15-18	12,04
19	Ayak bağlantı cıvatası	PMP15-19	5,27	PMP15-19	5,27	PMP15-19	5,27
20	Ayak	PMP15-20	91,37	PMP15-20	91,37	PMP15-20	91,37
21	Ayak lastiği (motor altı)	PMP15-31	12,94	PMP35-21	10,24	PMP35-21	10,24
22	Çark tespit cıvatası	YPS-020	7,22	YPS-020	7,22	YPS-020	7,22
23	Çark tespit o-ringi	PMP15-23	1,43	PMP15-23	1,43	PMP15-23	1,43
24	Çark	PMP15-24	132,16	PMP20-24	132,16	PMP30-24	132,16
25	Mekanik salmastra	PMP35-27	226,08	PMP35-27	226,08	PMP35-27	226,08
26	Gövde o-ringi	PMP15-26	20,92	PMP15-26	20,92	PMP15-26	20,92
27	Arka gövde	PMP15-27	339,12	PMP15-27	339,12	PMP30-27	339,12
28	Savurma halkası	PMP35-30	4,06	PMP35-30	4,06	PMP35-30	4,06
29	Elektrik Motoru (monofaze)	PMP15-29M	573,78	PMP20-29M	687,58	PMP30-29M	-
	Elektrik Motoru (trifaze)	PMP15-29T	515,23	PMP20-29T	564,30	PMP30-29T	693,75
30	Motor bağlantı cıvatası	PMP15-30	5,27	PMP15-30	5,27	YPC-130	5,27
31	Ayak lastiği (önfiltrer altı)	YPC-121	6,62	YPC-121	6,62	YPC-121	6,62

**1,5 HP - 2 HP - 3 HP
Huzur Series Pumps**



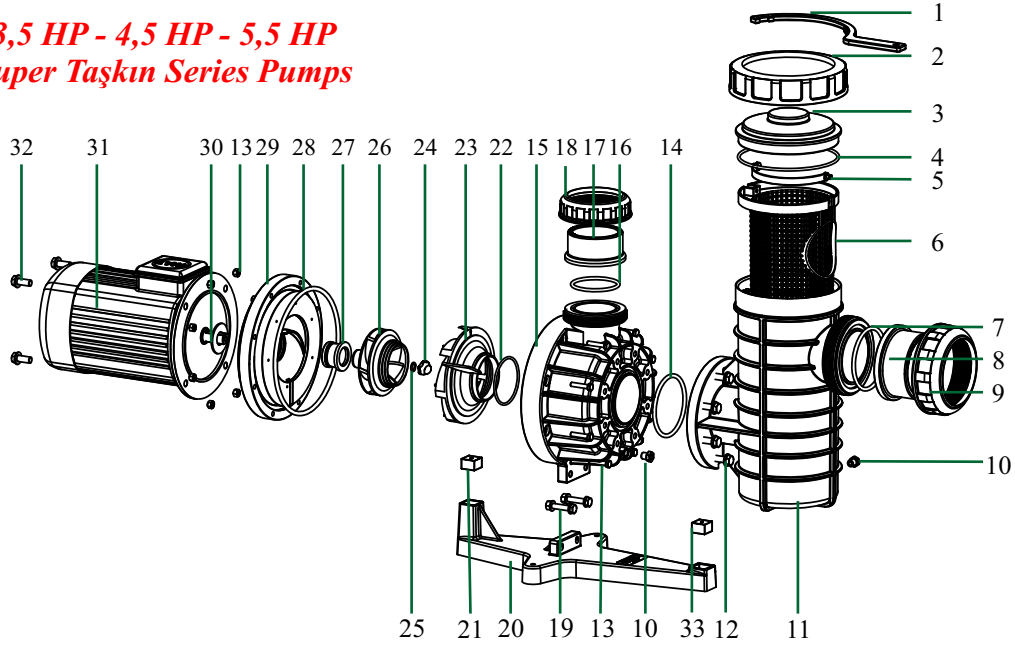
NO	PART NAME	1.5 HP		2 HP		3 HP	
		CODE	PRICE (€)	CODE	PRICE (€)	CODE	PRICE (€)
1	Cover key	YPS-201	5,42	YPS-201	5,42	YPS-201	5,42
2	Strainer nut	YPS-202	28,75	YPS-202	28,75	YPS-202	28,75
3	Strainer cover	PMP35-03	51,33	PMP35-03	51,33	PMP35-03	51,33
4	Strainer cover o-ring	PMP35-04	10,24	PMP35-04	10,24	PMP35-04	10,24
5	Strainer basket handle	PMP35-05	6,17	PMP35-05	6,17	PMP35-05	6,17
6	Basket	PMP35-06	101,15	PMP35-06	101,15	PMP35-06	101,15
7	Pipe connection o-ring	PMP35-07	7,53	PMP35-07	7,53	PMP35-07	7,53
8	Pipe connection	FKL-090	1,79	FKL-090	1,79	FKL-090	1,79
9	Nut	YVS-805	13,77	YVS-805	13,77	YVS-805	13,77
10	Drain plug	PMP35-10	4,06	PMP35-10	4,06	PMP35-10	4,06
11	Strainer housing	PMP35-11	402,64	PMP15-11	402,64	PMP15-11	402,64
12	Strainer bolt	PMP35-12	6,17	PMP15-12	6,17	PMP15-12	6,17
13	Face plate bolt	YPC-113	2,26	YPC-113	2,26	YPC-113	2,26
14	Strainer o-ring	PMP35-07	7,53	PMP35-07	7,53	PMP35-07	7,53
15	Face plate	PMP15-15	365,31	PMP15-15	365,31	PMP15-15	365,31
16	Pipe connection o-ring	YVS-709	3,55	YVS-709	3,55	YVS-709	3,55
17	Pipe connection	PMP15-17	8,58	PMP15-17	8,58	PMP15-17	8,58
18	Nut	PMP15-18	12,04	PMP15-18	12,04	PMP15-18	12,04
19	Mounting base connection bolts	PMP15-19	5,27	PMP15-19	5,27	PMP15-19	5,27
20	Mounting base	PMP15-20	91,37	PMP15-20	91,37	PMP15-20	91,37
21	Mounting base rubber	PMP15-31	12,94	PMP35-21	10,24	PMP35-21	10,24
22	Impeller screw	YPS-020	7,22	YPS-020	7,22	YPS-020	7,22
23	Impeller o-ring	PMP15-23	1,43	PMP15-23	1,43	PMP15-23	1,43
24	Impeller	PMP15-24	132,16	PMP20-24	132,16	PMP30-24	132,16
25	Mechanical seal	PMP35-27	226,08	PMP35-27	226,08	PMP35-27	226,08
26	Body o-ring	PMP15-26	20,92	PMP15-26	20,92	PMP15-26	20,92
27	Seal plate	PMP15-27	339,12	PMP15-27	339,12	PMP30-27	339,12
28	Slinger	PMP35-30	4,06	PMP35-30	4,06	PMP35-30	4,06
29	Electric Motor (monophaze)	PMP15-29M	573,78	PMP20-29M	687,58	PMP30-29M	-
	Electric Motor (triphaze)	PMP15-29T	515,23	PMP20-29T	564,30	PMP30-29T	693,75
30	Motor bolt	PMP15-30	5,27	PMP15-30	5,27	YPC-130	5,27
31	Mounting base rubber	YPC-121	6,62	YPC-121	6,62	YPC-121	6,62

**3,5 HP - 4,5 HP - 5,5 HP
Süper Taşkın Serisi Pompalar**



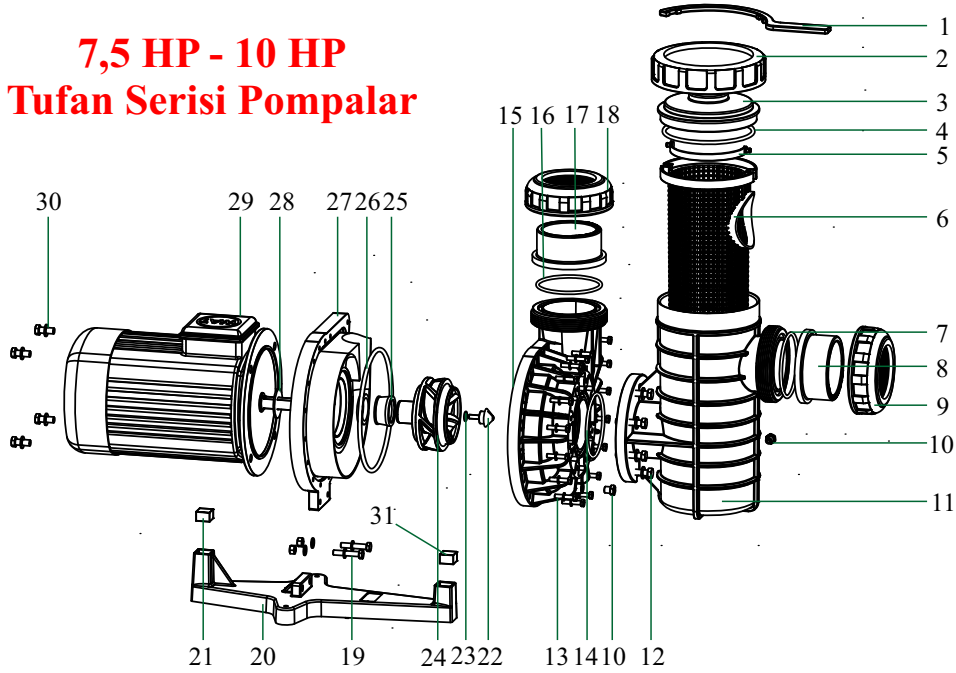
NO	PARÇA ADI	3.5 HP		4.5 HP		5.5 HP	
		KOD	FİYATI (€)	KOD	FİYATI (€)	KOD	FİYATI (€)
1	Kapak anahtarı	YPS-201	5,42	YPS-201	5,42	YPS-201	5,42
2	Önfiltrer somunu	YPS-202	28,75	YPS-202	28,75	YPS-202	28,75
3	Önfiltrer kapağı	PMP35-03	51,33	PMP35-03	51,33	PMP35-03	51,33
4	Önfiltrer kapak altı o-ringi	PMP35-04	10,24	PMP35-04	10,24	PMP35-04	10,24
5	Önfiltrer süzgeç sapı	PMP35-05	6,17	PMP35-05	6,17	PMP35-05	6,17
6	Süzgeç	PMP35-06	101,15	PMP35-06	101,15	PMP35-06	101,15
7	Boru bağlantı o-ringi	PMP35-07	7,53	PMP35-07	7,53	PMP35-07	7,53
8	Boru bağlantı	PMP35-08	12,64	PMP35-08	12,64	PMP35-08	12,64
9	Somun	PMP35-09	16,41	PMP35-09	16,41	PMP35-09	16,41
10	Önfiltrer tapası	PMP35-10	4,06	PMP35-10	4,06	PMP35-10	4,06
11	Önfiltrer gövdesi	PMP35-11	402,64	PMP35-11	402,64	PMP35-11	402,64
12	Önfiltrer civatası	PMP35-12	6,17	PMP35-12	6,17	PMP35-12	6,17
13	Gövde civatası	PMP35-13	5,27	PMP35-13	5,27	PMP35-13	5,27
14	Filtre bağlantı o-ringi	PMP35-07	7,53	PMP35-07	7,53	PMP35-07	7,53
15	Ön Gövde	PMP35-15	287,27	PMP35-15	287,27	PMP35-15	287,27
16	Boru bağlantı o-ringi	PMP35-16	6,77	PMP35-16	6,77	PMP35-16	6,77
17	Boru bağlantı	PMP35-17	6,77	PMP35-17	6,77	PMP35-17	6,77
18	Somun	PMP35-18	12,34	PMP35-18	12,34	PMP35-18	12,34
19	Ayak bağlantı civatası	PMP35-19	8,28	PMP35-19	8,28	PMP35-19	8,28
20	Ayak	PMP35-20	71,95	PMP35-20	71,95	PMP35-20	71,95
21	Ayak lastiği (motor altı)	PMP35-21	10,24	YPC-121	6,62	YPC-121	6,62
22	Difüzör o-ringi	PMP35-22	8,28	PMP35-22	8,28	PMP35-22	8,28
23	Difüzör	PMP35-23	45,16	PMP35-23	45,16	PMP35-23	45,16
24	Çark tespit civatası	PMPS35-24	10,24	PMPS35-24	10,24	PMPS35-24	10,24
25	Çark tespit o-ringi	PMP75-23	1,43	PMP75-23	1,43	PMP75-23	1,43
26	Çark	PMPS35-26	104,01	PMPS45-26	108,68	PMPS55-26	113,04
27	Mekanik salmastra	PMP35-27	226,08	PMP35-27	226,08	PMP35-27	226,08
28	Gövde o-ringi	PMP35-28	16,41	PMP35-28	16,41	PMP35-28	16,41
29	Arka gövde	PMP35-29	267,17	PMP55-29	267,17	PMP55-29	267,17
30	Savurma halkası	PMP35-30	4,06	PMP35-30	4,06	PMP35-30	4,06
31	Elektrik Motoru (trifaze)	PMPS35-31	651,15	PMPS45-31	651,15	PMPS55-31	802,90
32	Motor bağlantı civatası	PMP35-32	4,06	PMP35-32	4,06	PMP35-32	4,06
33	Ayak lastiği (filtre altı)	YPC-121	6,62	YPC-121	6,62	YPC-121	6,62

3,5 HP - 4,5 HP - 5,5 HP
Super Taşkın Series Pumps



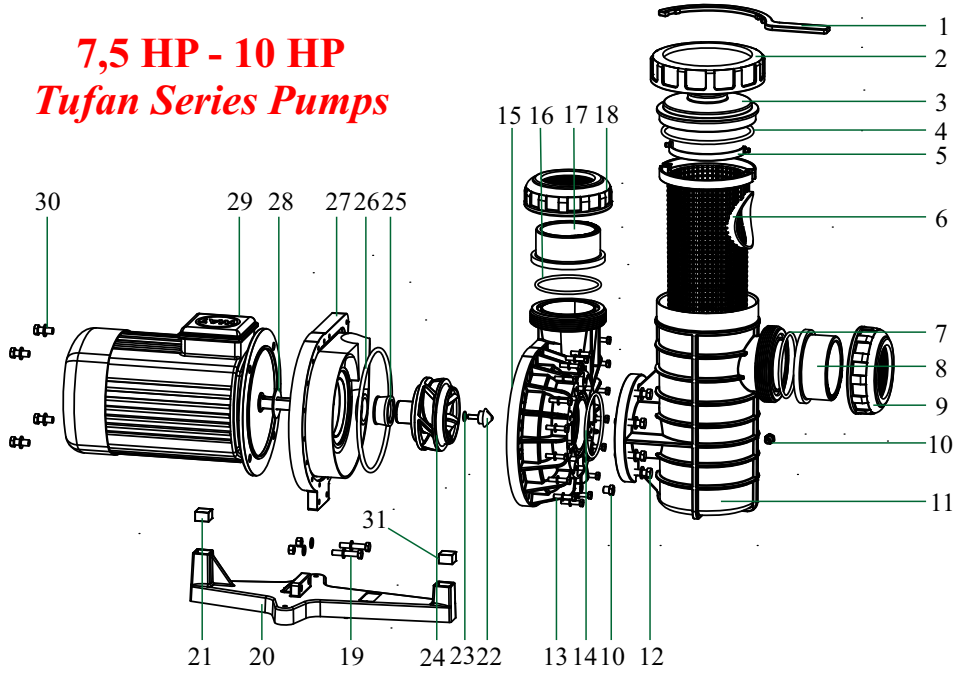
NO	PART NAME	3.5 HP		4.5 HP		5.5 HP	
		CODE	PRICE (€)	CODE	PRICE (€)	CODE	PRICE (€)
1	Cover key	YPS-201	5,42	YPS-201	5,42	YPS-201	5,42
2	Strainer nut	YPS-202	28,75	YPS-202	28,75	YPS-202	28,75
3	Strainer cover	PMP35-03	51,33	PMP35-03	51,33	PMP35-03	51,33
4	Strainer cover o-ring	PMP35-04	10,24	PMP35-04	10,24	PMP35-04	10,24
5	Strainer basket handle	PMP35-05	6,17	PMP35-05	6,17	PMP35-05	6,17
6	Basket	PMP35-06	101,15	PMP35-06	101,15	PMP35-06	101,15
7	Pipe connection o-ring	PMP35-07	7,53	PMP35-07	7,53	PMP35-07	7,53
8	Pipe connection	PMP35-08	12,64	PMP35-08	12,64	PMP35-08	12,64
9	Nut	PMP35-09	16,41	PMP35-09	16,41	PMP35-09	16,41
10	Drain plug	PMP35-10	4,06	PMP35-10	4,06	PMP35-10	4,06
11	Strainer housing	PMP35-11	402,64	PMP35-11	402,64	PMP35-11	402,64
12	Strainer bolt	PMP35-12	6,17	PMP35-12	6,17	PMP35-12	6,17
13	Face plate bolt	PMP35-13	5,27	PMP35-13	5,27	PMP35-13	5,27
14	Strainer o-ring	PMP35-07	7,53	PMP35-07	7,53	PMP35-07	7,53
15	Face plate	PMP35-15	287,27	PMP35-15	287,27	PMP35-15	287,27
16	Pipe connection o-ring	PMP35-16	6,77	PMP35-16	6,77	PMP35-16	6,77
17	Pipe connection	PMP35-17	6,77	PMP35-17	6,77	PMP35-17	6,77
18	Nut	PMP35-18	12,34	PMP35-18	12,34	PMP35-18	12,34
19	Mounting base connection bolts	PMP35-19	8,28	PMP35-19	8,28	PMP35-19	8,28
20	Mounting base	PMP35-20	71,95	PMP35-20	71,95	PMP35-20	71,95
21	Mounting base rubber (motor)	PMP35-21	10,24	YPC-121	6,62	YPC-121	6,62
22	Diffuser o-ring	PMP35-22	8,28	PMP35-22	8,28	PMP35-22	8,28
23	Diffuser	PMP35-23	45,16	PMP35-23	45,16	PMP35-23	45,16
24	Impeller screw	PMPS35-24	10,24	PMPS35-24	10,24	PMPS35-24	10,24
25	Impeller o-ring	PMP75-23	1,43	PMP75-23	1,43	PMP75-23	1,43
26	Impeller	PMPS35-26	104,01	PMPS45-26	108,68	PMPS55-26	113,04
27	Mechanical seal	PMP35-27	226,08	PMP35-27	226,08	PMP35-27	226,08
28	Body o-ring	PMP35-28	16,41	PMP35-28	16,41	PMP35-28	16,41
29	Seal plate	PMP35-29	267,17	PMP55-29	267,17	PMP55-29	267,17
30	Slinger	PMP35-30	4,06	PMP35-30	4,06	PMP35-30	4,06
31	Electric Motor (Triphase)	PMPS35-31	651,15	PMPS45-31	651,15	PMPS55-31	802,90
32	Motor bolt	PMP35-32	4,06	PMP35-32	4,06	PMP35-32	4,06
33	Mounting base rubber (pre filter)	YPC-121	6,62	YPC-121	6,62	YPC-121	6,62

**7,5 HP - 10 HP
Tufan Serisi Pompalar**



NO	PARÇA ADI	7.5 HP		10 HP	
		KOD	FİYATI (€)	KOD	FİYATI (€)
1	Kapak anahtarı	YPS-201	5,42	YPS-201	5,42
2	Önfiltrite somunu	YPS-202	28,75	YPS-202	28,75
3	Önfiltrite kapağı	PMP35-03	51,33	PMP35-03	51,33
4	Önfiltrite kapak altı o-ringi	PMP35-04	10,24	PMP35-04	10,24
5	Önfiltrite süzgeç sapı	PMP35-05	6,17	PMP35-05	6,17
6	Süzgeç	PMP35-06	101,15	PMP35-06	101,15
7	Boru bağlantı o-ringi	PMP35-07	7,23	PMP35-07	7,23
8	Boru bağlantı	PMP35-08	12,64	PMP35-08	12,64
9	Somun	PMP35-09	16,41	PMP35-09	16,41
10	Önfiltrite tapası	PMP35-10	4,06	PMP35-10	4,06
11	Önfiltrite gövdesi	PMP35-11	402,64	PMP35-11	402,64
12	Önfiltrite civatası	PMP35-12	6,17	PMP35-12	6,17
13	Gövde civatası	PMP15-19	5,27	PMP15-19	5,27
14	Filtre bağlantı o-ringi	PMP35-07	7,53	PMP35-07	7,53
15	Ön Gövde	PMP75-15	402,64	PMP75-15	402,64
16	Boru bağlantı o-ringi	PMP35-07	7,53	PMP35-07	7,53
17	Boru bağlantı	PMP35-08	12,64	PMP35-08	12,64
18	Somun	PMP35-09	16,41	PMP35-09	16,41
19	Ayak bağlantı civatası	PMP35-19	8,28	PMP35-19	8,28
20	Ayak	PMP75-20	71,95	PMP75-20	71,95
21	Ayak lastiği(motor altı)	PMP35-21	10,24	PMP35-21	10,24
22	Çark tespit civatası	PMP75-22	10,24	PMP75-22	10,24
23	Çark tespit o-ringi	PMP10-23	1,13	PMP10-23	1,13
24	Çark	PMP75-24	180,93	PMP10-24	180,93
25	Mekanik salmastra	PMP75-25	300,00	PMP75-25	300,00
26	Gövde o-ringi	PMP75-26	16,41	PMP75-26	16,41
27	Arka gövde	PMP75-27	300,29	PMP75-27	300,29
28	Savurma halkası	PMP75-28	4,97	PMP75-28	4,97
29	Elektrik Motoru (trifaze)	PMP75-29	1193,32	PMP10-29	1534,55
30	Motor bağlantı civatası	PMP75-30	4,21	PMP75-30	4,21
31	Ayak lastiği(filtre altı)	YPC-121	6,62	YPC-121	6,62

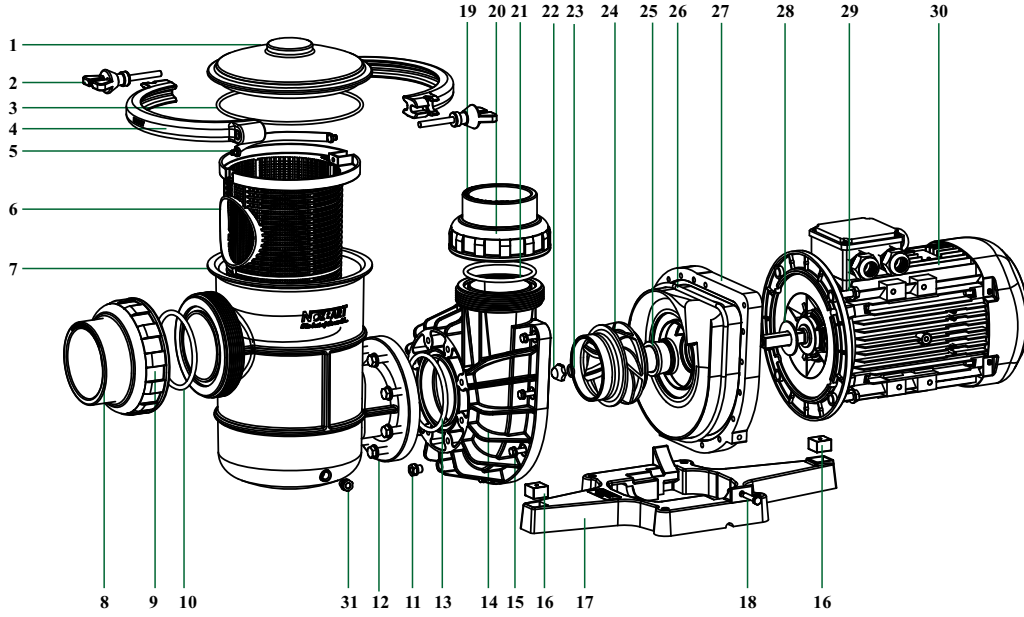
7,5 HP - 10 HP Tufan Series Pumps



NO	PART NAME	7.5 HP		10 HP	
		CODE	PRICE (€)	CODE	PRICE (€)
1	Cover key	YPS-201	5,42	YPS-201	5,42
2	Strainer nut	YPS-202	28,75	YPS-202	28,75
3	Strainer cover	PMP35-03	51,33	PMP35-03	51,33
4	Strainer cover o-ring	PMP35-04	10,24	PMP35-04	10,24
5	Strainer basket handle	PMP35-05	6,17	PMP35-05	6,17
6	Basket	PMP35-06	101,15	PMP35-06	101,15
7	Pipe connection o-ring	PMP35-07	7,23	PMP35-07	7,23
8	Pipe connection	PMP35-08	12,64	PMP35-08	12,64
9	Nut	PMP35-09	16,41	PMP35-09	16,41
10	Drain plug	PMP35-10	4,06	PMP35-10	4,06
11	Strainer housing	PMP35-11	402,64	PMP35-11	402,64
12	Strainer bolt	PMP35-12	6,17	PMP35-12	6,17
13	Face plate bolt	PMP15-19	5,27	PMP15-19	5,27
14	Strainer o-ring	PMP35-07	7,53	PMP35-07	7,53
15	Face plate	PMP75-15	402,64	PMP75-15	402,64
16	Pipe connection o-ring	PMP35-07	7,53	PMP35-07	7,53
17	Pipe connection	PMP35-08	12,64	PMP35-08	12,64
18	Nut	PMP35-09	16,41	PMP35-09	16,41
19	Mounting base connection bolts	PMP35-19	8,28	PMP35-19	8,28
20	Mounting base	PMP75-20	71,95	PMP75-20	71,95
21	Mounting base rubber (motor)	PMP35-21	10,24	PMP35-21	10,24
22	Impeller screw	PMP75-22	10,24	PMP75-22	10,24
23	Impeller o-ring	PMP10-23	1,13	PMP10-23	1,13
24	Impeller	PMP75-24	180,93	PMP10-24	180,93
25	Mechanical seal	PMP75-25	300,00	PMP75-25	300,00
26	Body o-ring	PMP75-26	16,41	PMP75-26	16,41
27	Seal plate	PMP75-27	300,29	PMP75-27	300,29
28	Slinger	PMP75-28	4,97	PMP75-28	4,97
29	Electric Motor (Triphase)	PMP75-29	1193,32	PMP10-29	1534,55
30	Motor bolt	PMP75-30	4,21	PMP75-30	4,21
31	Mounting base rubber (pre filter)	YPC-121	6,62	YPC-121	6,62



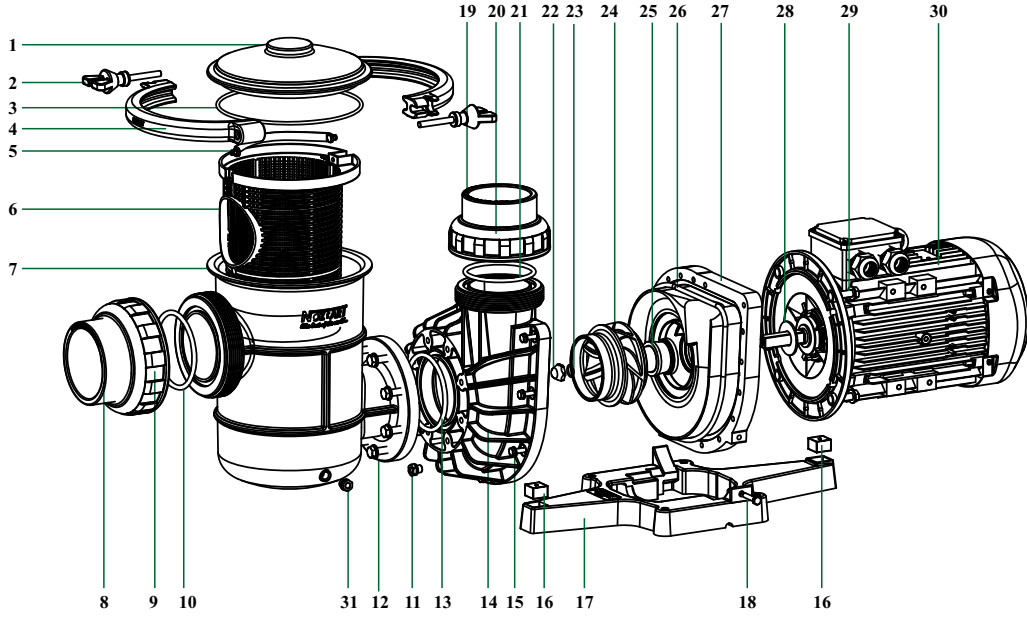
7,5 HP - 10 HP - 12,5 HP
Süper Tufan Serisi Pompalar



NO	PARÇA ADI	7.5 HP		10 HP		12.5 HP	
		KOD	FİYATI (€)	KOD	FİYATI (€)	KOD	FİYATI (€)
1	Önfiltr kapağı	PMP75-01	82,18	PMP75-01	82,18	PMP75-01	82,18
2	Önfiltr çember kelebeği	PMP75-02	23,93	PMP75-02	23,93	PMP75-02	23,93
3	Önfiltr kapak altı o-ringi	PMP75-03	14,75	PMP75-03	14,75	PMP75-03	14,75
4	Önfiltr kapak çemberi	PMP75-04	55,39	PMP75-04	55,39	PMP75-04	55,39
5	Önfiltr süzgeç sapı	PMP75-05	6,17	PMP75-05	6,17	PMP75-05	6,17
6	Süzgeç	PMP75-06	208,62	PMP75-06	208,62	PMP75-06	208,62
7	Önfiltr gövdesi	PMP75-07	720,69	PMP75-07	720,69	PMP75-07	720,69
8	Boru bağlantı	FKL-110	3,76	FKL-125	3,83	FKL-125	3,83
9	Somun	PMP75-09	16,41	PMP10-09	16,41	PMP10-09	16,41
10	Boru bağlantı o-ringi	PMP75-10	13,55	PMP75-10	13,55	PMP75-10	13,55
11	Önfiltr tapası	PMP150-11	18,21	PMP150-11	18,21	PMP150-11	18,21
12	Önfiltr civatası	PMP35-12	6,17	PMP35-12	6,17	PMP35-12	6,17
13	Filtre bağlantı o-ringi	PMP75-10	13,55	PMP75-10	13,55	PMP75-10	13,55
14	Ön Gövde	PMP75-14	546,84	PMP75-14	546,84	PMP75-14	546,84
15	Gövde civatası	PMP15-19	5,27	PMP15-19	5,27	PMP15-19	5,27
16	Ayak lastiği	YPC-121	6,62	YPC-121	6,62	YPC-121	6,62
17	Ayak	PMP75-17	94,83	PMP75-17	94,83	PMP75-17	94,83
18	Ayak bağlantı civatası	PMP75-18	5,27	PMP75-18	5,27	PMP75-18	5,27
19	Boru bağlantı	PMP35-08	12,64	PMP35-08	12,64	PMP35-08	12,64
20	Somun	PMP35-09	16,41	PMP35-09	16,41	PMP35-09	16,41
21	Boru bağlantı o-ringi	PMP35-07	7,53	PMP35-07	7,53	PMP35-07	7,53
22	Çark tespit civatası	PMPS75-22	14,30	PMPS75-22	14,30	PMPS75-22	14,30
23	Çark tespit o-ringi	PMP75-23	1,43	PMP75-23	1,43	PMP75-23	1,43
24	Çark	PMPS75-24	180,93	PMPS10-24	188,15	PMPS12-24	202,30
25	Mekanik salmastra	PMP75-25	300,00	PMP75-25	300,00	PMP75-25	300,00
26	Gövde o-ringi	PMP75-26	16,41	PMP75-26	16,41	PMP75-26	16,41
27	Arka gövde	PMPS75-27	300,29	PMPS75-27	300,29	PMPS75-27	300,29
28	Savurma halkası	PMP75-28	4,97	PMP75-28	4,97	PMP75-28	4,97
29	Motor bağlantı civatası	PMP75-30	4,21	PMP75-30	4,21	PMP75-30	4,21
30	Elektrik Motoru (trifaze)	PMPS75-29	1192,12	PMPS10-29	1534,56	PMPS12-29	1875,48
31	Gövde tapası	PMP35-10	4,06	PMP35-10	4,06	PMP35-10	4,06

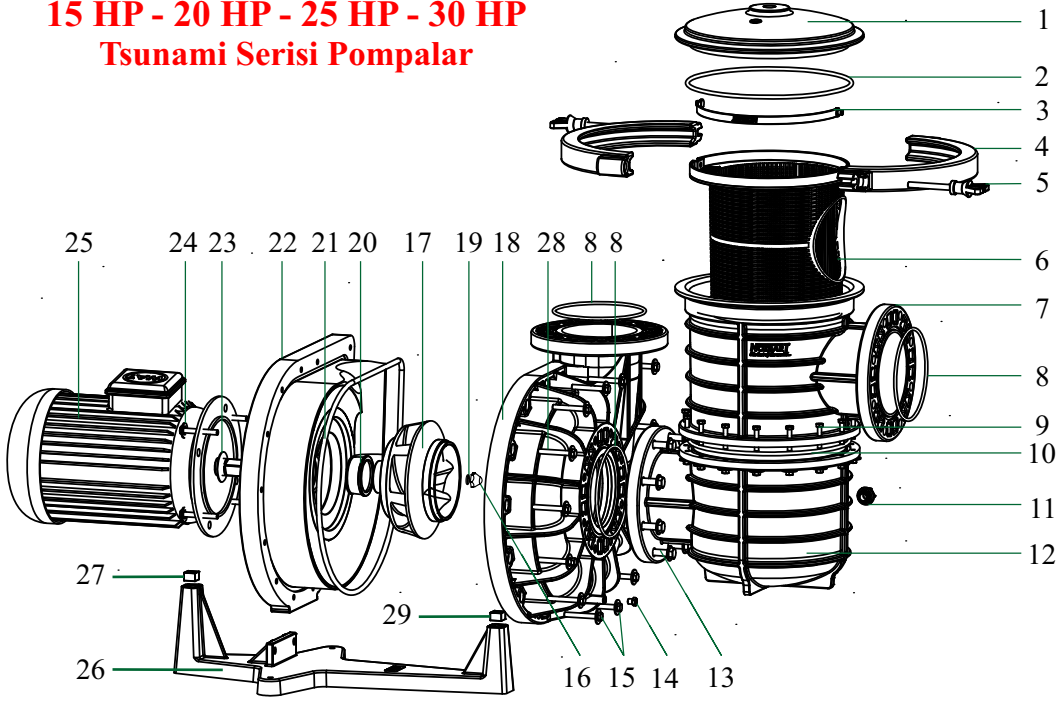


7,5 HP - 10 HP -12,5 HP SuperTufan Series Pumps



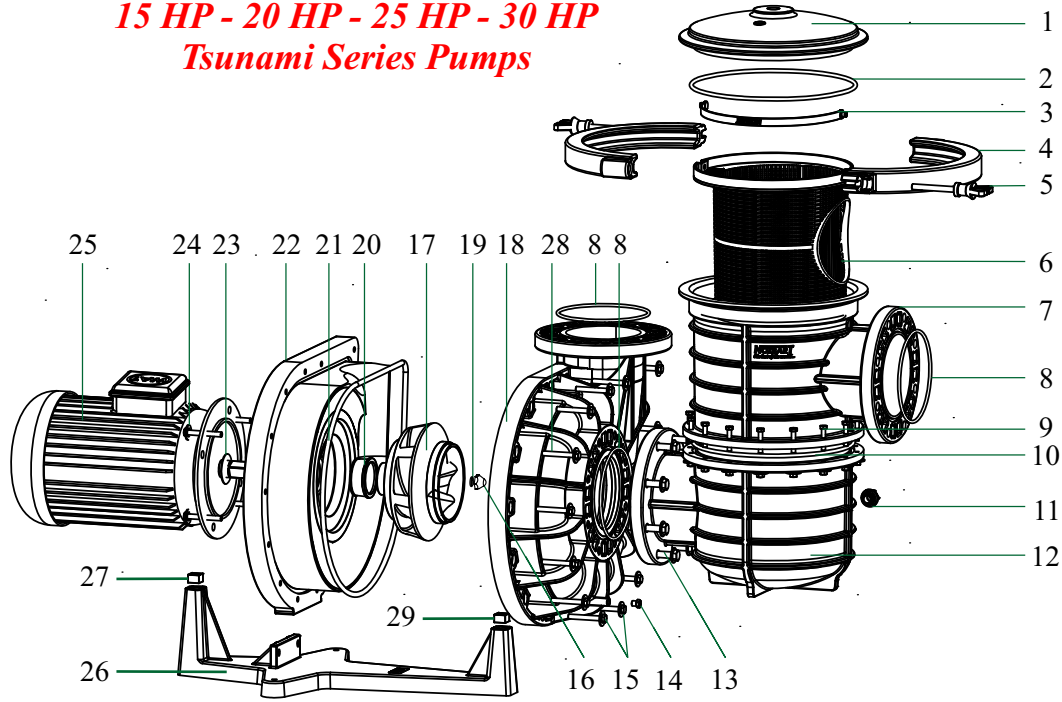
NO	PART NAME	7.5 HP		10 HP		12.5 HP	
		CODE	PRICE (€)	CODE	PRICE (€)	CODE	PRICE (€)
1	Strainer cover	PMP75-01	82,18	PMP75-01	82,18	PMP75-01	82,18
2	Strainer circle throttle	PMP75-02	23,93	PMP75-02	23,93	PMP75-02	23,93
3	Strainer cover o-ring	PMP75-03	14,75	PMP75-03	14,75	PMP75-03	14,75
4	Strainer cover circle	PMP75-04	55,39	PMP75-04	55,39	PMP75-04	55,39
5	Strainer basket handle	PMP75-05	6,17	PMP75-05	6,17	PMP75-05	6,17
6	Basket	PMP75-06	208,62	PMP75-06	208,62	PMP75-06	208,62
7	Strainer housing	PMP75-07	720,69	PMP75-07	720,69	PMP75-07	720,69
8	Pipe connection	FKL-110	3,76	FKL-125	3,83	FKL-125	3,83
9	Nut	PMP75-09	16,41	PMP10-09	16,41	PMP10-09	16,41
10	Pipe connection o-ring	PMP75-10	13,55	PMP75-10	13,55	PMP75-10	13,55
11	Drain plug	PMP150-11	18,21	PMP150-11	18,21	PMP150-11	18,21
12	Strainer bolt	PMP35-12	6,17	PMP35-12	6,17	PMP35-12	6,17
13	Strainer o-ring	PMP75-10	13,55	PMP75-10	13,55	PMP75-10	13,55
14	Face plate	PMP75-14	546,84	PMP75-14	546,84	PMP75-14	546,84
15	Face plate bolt	PMP15-19	5,27	PMP15-19	5,27	PMP15-19	5,27
16	Mounting base rubber	YPC-121	6,62	YPC-121	6,62	YPC-121	6,62
17	Mounting base	PMP75-17	94,83	PMP75-17	94,83	PMP75-17	94,83
18	Mounting base connection bolts	PMP75-18	5,27	PMP75-18	5,27	PMP75-18	5,27
19	Pipe connection	PMP35-08	12,64	PMP35-08	12,64	PMP35-08	12,64
20	Nut	PMP35-09	16,41	PMP35-09	16,41	PMP35-09	16,41
21	Pipe connection o-ring	PMP35-07	7,53	PMP35-07	7,53	PMP35-07	7,53
22	Impeller screw	PMPS75-22	14,30	PMPS75-22	14,30	PMPS75-22	14,30
23	Impeller o-ring	PMP75-23	1,43	PMP75-23	1,43	PMP75-23	1,43
24	Impeller	PMPS75-24	180,93	PMPS10-24	188,15	PMPS12-24	202,30
25	Mechanical seal	PMP75-25	300,00	PMP75-25	300,00	PMP75-25	300,00
26	Body o-ring	PMP75-26	16,41	PMP75-26	16,41	PMP75-26	16,41
27	Seal plate	PMPS75-27	300,29	PMPS75-27	300,29	PMPS75-27	300,29
28	Slinger	PMP75-28	4,97	PMP75-28	4,97	PMP75-28	4,97
29	Motor bolt	PMP75-30	4,21	PMP75-30	4,21	PMP75-30	4,21
30	Electric Motor (Triphase)	PMPS75-29	1192,12	PMPS10-29	1534,56	PMPS12-29	1875,48
31	Body drain plug	PMP35-10	4,06	PMP35-10	4,06	PMP35-10	4,06

15 HP - 20 HP - 25 HP - 30 HP
Tsunami Serisi Pompalar



NO	PARÇA ADI	15 HP		20 HP		25 HP		30 HP	
		KOD	FİYATI (€)	KOD	FİYATI (€)	KOD	FİYATI (€)	KOD	FİYATI (€)
1	Süzgeç kapağı	PMP150-01	227,29	PMP150-01	227,29	PMP150-01	227,29	PMP150-01	227,29
2	Süzgeç kapak o-ringi	PMP150-02	45,61	PMP150-02	45,61	PMP150-02	45,61	PMP150-02	45,61
3	Süzgeç sepeti kolu	PMP150-03	27,24	PMP150-03	27,24	PMP150-03	27,24	PMP150-03	27,24
4	Süzgeç kapak çemberi	PMP150-04	113,64	PMP150-04	113,64	PMP150-04	113,64	PMP150-04	113,64
5	Süzgeç kapak kelebeği	PMP150-05	38,83	PMP150-05	38,83	PMP150-05	38,83	PMP150-05	38,83
6	Sepet	PMP150-06	447,65	PMP150-06	447,65	PMP150-06	447,65	PMP150-06	447,65
7	Üst önfiltrre gövdesi	PMP150-07	891,08	PMP150-07	891,08	PMP150-07	891,08	PMP150-07	891,08
8	Kole bağlantı o-ringi	PMP150-08	22,88	PMP150-08	22,88	PMP150-08	22,88	PMP150-08	22,88
9	Önfiltrre civatası	PMP150-09	16,71	PMP150-09	16,71	PMP150-09	16,71	PMP150-09	16,71
10	Önfiltrre ara bağlantı o-ringi	PMP150-10	33,72	PMP150-10	33,72	PMP150-10	33,72	PMP150-10	33,72
11	Tahliye Tapası	PMP150-11	18,21	PMP150-11	18,21	PMP150-11	18,21	PMP150-11	18,21
12	Alt önfiltrre gövdesi	PMP150-12	891,08	PMP150-12	891,08	PMP150-12	891,08	PMP150-12	891,08
13	Ön filtrre bağlantı civatası	PMP150-13	21,83	PMP150-13	21,83	PMP150-13	21,83	PMP150-13	21,83
14	Gövde tahliye tapa	PMP35-10	4,06	PMP35-10	4,06	PMP35-10	4,06	PMP35-10	4,06
15	Gövde civatası (ayak bağlantısı)	PMP150-15	18,51	PMP150-15	18,51	PMP150-15	18,51	PMP150-15	18,51
16	Çark tesbit somunu	PMP150-16	20,62	PMP150-16	20,62	PMP150-16	20,62	PMP150-16	20,62
17	Çark	PMP150-17	838,40	PMP200-17	838,40	PMP250-17	838,40	PMP300-17	838,40
18	Ön gövde	PMP150-18	1291,31	PMP150-18	1291,31	PMP150-18	1291,31	PMP150-18	1291,31
19	Çark tespit o-ringi	PMP150-19	1,13	PMP150-19	1,13	PMP150-19	1,13	PMP150-19	1,13
20	Mekanik salmastra	PMP150-20	747,63	PMP150-20	747,63	PMP150-20	747,63	PMP150-20	747,63
21	Gövde o-ringi	PMP150-21	58,10	PMP150-21	58,10	PMP150-21	58,10	PMP150-21	58,10
22	Arka gövde	PMP150-22	1130,10	PMP150-22	1130,10	PMP150-22	1130,10	PMP150-22	1130,10
23	Savurma halkası	PMP150-23	14,60	PMP150-23	14,60	PMP150-23	14,60	PMP150-23	14,60
24	Motor bağlantı civatası	PMP150-24	14,60	PMP150-24	14,60	PMP150-24	14,60	PMP150-24	14,60
25	Elektrik Motoru (Trifaze)	PMP150-25	2459,50	PMP200-25	3066,73	PMP250-25	3697,33	PMP300-25	4518,61
26	Ayak	PMP150-26	255,28	PMP150-26	255,28	PMP150-26	255,28	PMP150-26	255,28
27	Ayak lastiği (motor altı)	PMP150-27	14,30	PMP150-27	14,30	YPC-121	6,62	YPC-121	6,62
28	Gövde Civatası	PMP150-28	18,51	PMP150-28	18,51	PMP150-28	18,51	PMP150-28	18,51
29	Ayak lastiği (ön filtrre altı)	PMP150-29	9,03	PMP150-29	9,03	PMP150-29	9,03	PMP150-29	9,03

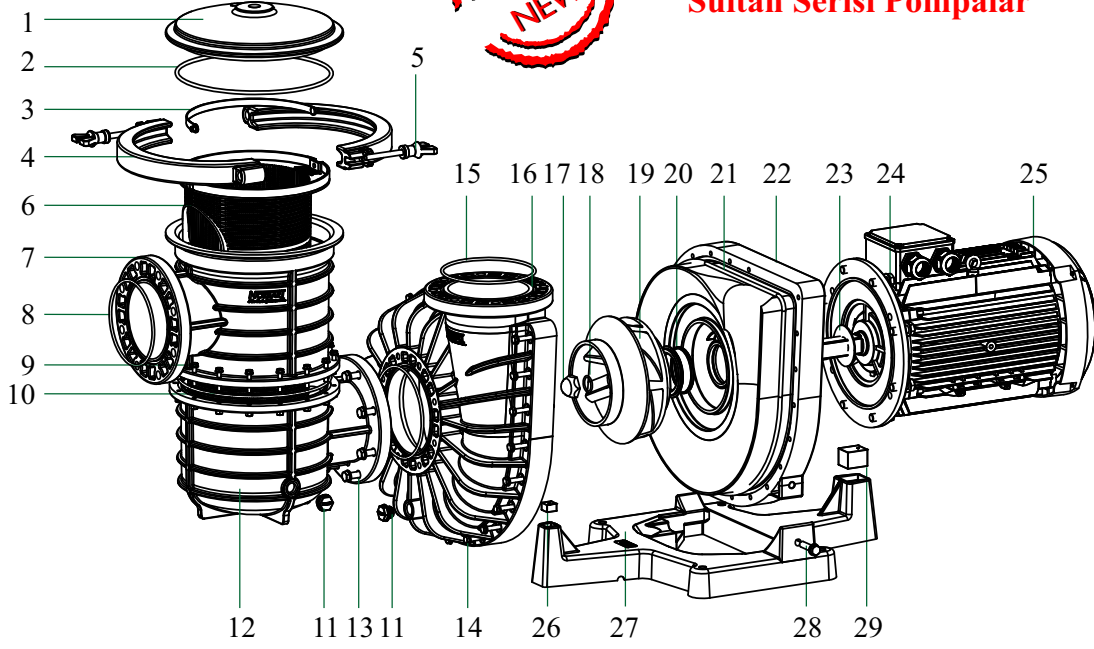
15 HP - 20 HP - 25 HP - 30 HP
Tsunami Series Pumps



NO	PART NAME	15 HP		20 HP		25 HP		30 HP	
		CODE	PRICE (€)	CODE	PRICE (€)	CODE	PRICE (€)	CODE	PRICE (€)
1	Strainer cover	PMP150-01	227,29	PMP150-01	227,29	PMP150-01	227,29	PMP150-01	227,29
2	Strainer cover o-ring	PMP150-02	45,61	PMP150-02	45,61	PMP150-02	45,61	PMP150-02	45,61
3	Strainer basket handle	PMP150-03	27,24	PMP150-03	27,24	PMP150-03	27,24	PMP150-03	27,24
4	Strainer cover circle	PMP150-04	113,64	PMP150-04	113,64	PMP150-04	113,64	PMP150-04	113,64
5	Strainer circle throttle	PMP150-05	38,83	PMP150-05	38,83	PMP150-05	38,83	PMP150-05	38,83
6	Basket	PMP150-06	447,65	PMP150-06	447,65	PMP150-06	447,65	PMP150-06	447,65
7	Top strainer body	PMP150-07	891,08	PMP150-07	891,08	PMP150-07	891,08	PMP150-07	891,08
8	Cole connection o-ring	PMP150-08	22,88	PMP150-08	22,88	PMP150-08	22,88	PMP150-08	22,88
9	Strainer bolt	PMP150-09	16,71	PMP150-09	16,71	PMP150-09	16,71	PMP150-09	16,71
10	Strainer o-ring	PMP150-10	33,72	PMP150-10	33,72	PMP150-10	33,72	PMP150-10	33,72
11	Drain plug	PMP150-11	18,21	PMP150-11	18,21	PMP150-11	18,21	PMP150-11	18,21
12	Bottom strainer body	PMP150-12	891,08	PMP150-12	891,08	PMP150-12	891,08	PMP150-12	891,08
13	Strainer connection bolt	PMP150-13	21,83	PMP150-13	21,83	PMP150-13	21,83	PMP150-13	21,83
14	Body plug	PMP35-10	4,06	PMP35-10	4,06	PMP35-10	4,06	PMP35-10	4,06
15	Face plate bolt (mounting base)	PMP150-15	18,51	PMP150-15	18,51	PMP150-15	18,51	PMP150-15	18,51
16	Impeller nut	PMP150-16	20,62	PMP150-16	20,62	PMP150-16	20,62	PMP150-16	20,62
17	Impeller	PMP150-17	838,40	PMP200-17	838,40	PMP250-17	838,40	PMP300-17	838,40
18	Face plate	PMP150-18	1291,31	PMP150-18	1291,31	PMP150-18	1291,31	PMP150-18	1291,31
19	Impeller o-ring	PMP150-19	1,13	PMP150-19	1,13	PMP150-19	1,13	PMP150-19	1,13
20	Mechanical seal	PMP150-20	747,63	PMP150-20	747,63	PMP150-20	747,63	PMP150-20	747,63
21	Body o-ring	PMP150-21	58,10	PMP150-21	58,10	PMP150-21	58,10	PMP150-21	58,10
22	Seal plate	PMP150-22	1130,10	PMP150-22	1130,10	PMP150-22	1130,10	PMP150-22	1130,10
23	Slinger	PMP150-23	14,60	PMP150-23	14,60	PMP150-23	14,60	PMP150-23	14,60
24	Motor bolt	PMP150-24	14,60	PMP150-24	14,60	PMP150-24	14,60	PMP150-24	14,60
25	Electric Motor (Triphase)	PMP150-25	2459,50	PMP200-25	3066,73	PMP250-25	3697,33	PMP300-25	4518,61
26	Mounting base	PMP150-26	255,28	PMP150-26	255,28	PMP150-26	255,28	PMP150-26	255,28
27	Mounting base rubber (motor)	PMP150-27	14,30	PMP150-27	14,30	YPC-121	6,62	YPC-121	6,62
28	Face plate bolt	PMP150-28	18,51	PMP150-28	18,51	PMP150-28	18,51	PMP150-28	18,51
29	Mounting base rubber (pre filter)	PMP150-29	9,03	PMP150-29	9,03	PMP150-29	9,03	PMP150-29	9,03



**40 HP - 50 HP - 60 HP
Sultan Serisi Pompalar**

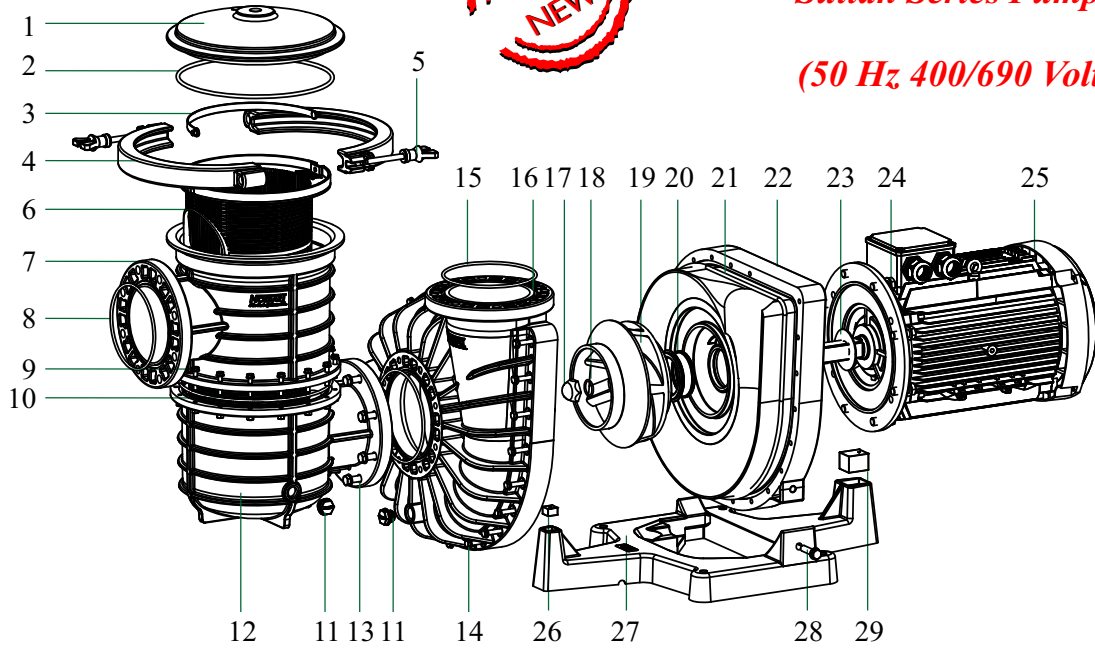


NO	PARÇA ADI	40 HP		50 HP		60 HP	
		KOD	FİYATI (€)	KOD	FİYATI (€)	KOD	FİYATI (€)
1	Önfiltrer kapağı	PMP150-01	227,29	PMP150-01	227,29	PMP150-01	227,29
2	Önfiltrer kapak altı o-ringi	PMP150-02	45,61	PMP150-02	45,61	PMP150-02	45,61
3	Önfiltrer süzgeç sapı	PMP150-03	27,24	PMP150-03	27,24	PMP150-03	27,24
4	Önfiltrer kapak çemberi	PMP150-04	113,64	PMP150-04	113,64	PMP150-04	113,64
5	Önfiltrer çember kelebeği	PMP150-05	38,83	PMP150-05	38,83	PMP150-05	38,83
6	Süzgeç	PMP150-06	447,65	PMP150-06	447,65	PMP150-06	447,65
7	Üst Önfiltrer gövdesi	PMP150-07	891,08	PMP150-07	891,08	PMP150-07	891,08
8	Kole bağlantı o-ringi	PMP150-08	22,88	PMP150-08	22,88	PMP150-08	22,88
9	Önfiltrer civatası	PMP150-09	16,71	PMP150-09	16,71	PMP150-09	16,71
10	Önfiltrer ara bağlantı o-ringi	PMP150-10	33,72	PMP150-10	33,72	PMP150-10	33,72
11	Önfiltrer tapası	PMP150-11	18,21	PMP150-11	18,21	PMP150-11	18,21
12	Alt Önfiltrer gövdesi	PMP150-12	891,08	PMP150-12	891,08	PMP150-12	891,08
13	Önfiltrer bağlantı civatası	PMP150-13	21,83	PMP150-13	21,83	PMP150-13	21,83
14	Gövde civatası	PMP400-14	31,46	PMP400-14	31,46	PMP400-14	31,46
15	Kole bağlantı o-ringi	PMP150-08	22,88	PMP150-08	22,88	PMP150-08	22,88
16	Ön gövde	PMP400-16	2044,81	PMP400-16	2044,81	PMP400-16	2044,81
17	Çark tespit civatası	PMP400-17	34,92	PMP400-17	34,92	PMP400-17	34,92
18	Çark tespit o-ringi	PMP400-18	1,96	PMP400-18	1,96	PMP400-18	1,96
19	Çark	PMP400-19	1425,27	PMP500-19	1567,67	PMP600-19	1710,06
20	Mekanik salmastra	PMP400-20	1270,84	PMP400-20	1270,84	PMP400-20	1270,84
21	Gövde o-ringi	PMP400-21	98,89	PMP400-21	98,89	PMP400-21	98,89
22	Arka gövde	PMP400-22	1921,09	PMP400-22	1921,09	PMP400-22	1921,09
23	Savurma halkası	PMP400-23	24,69	PMP500-23	24,69	PMP500-23	24,69
24	Motor bağlantı civatası	PMP400-24	24,69	PMP400-24	24,69	PMP400-24	24,69
25	Elektrik Motoru (trifaze)	PMP400-25	4180,39	PMP500-25	4597,63	PMP600-25	4777,50
26	Ayak lastiği (önfiltrer altı)	PMP150-29	9,03	PMP150-29	9,03	PMP150-29	9,03
27	Ayak	PMP400-27	433,95	PMP400-27	433,95	PMP400-27	433,95
28	Ayak Bağlantı Civatası	PMP400-28	21,83	PMP400-28	21,83	PMP400-28	21,83
29	Ayak lastiği (motor altı)	PMP400-29	37,63	PMP500-29	37,63	PMP500-29	37,63



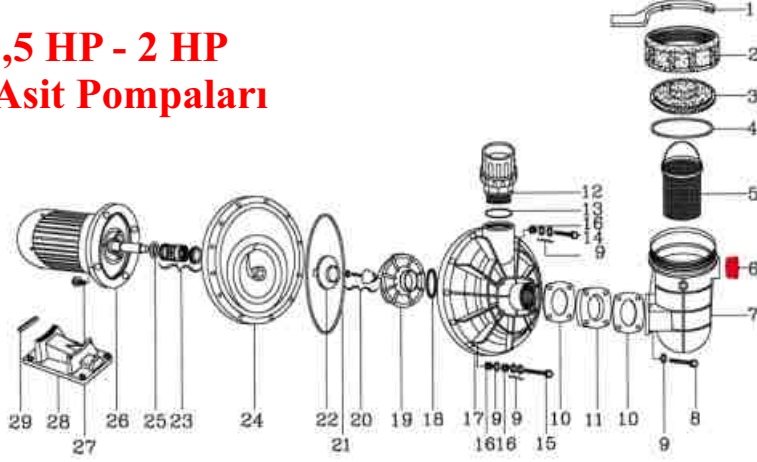
40 HP - 50 HP - 60 HP
Sultan Series Pumps

(50 Hz 400/690 Volt)



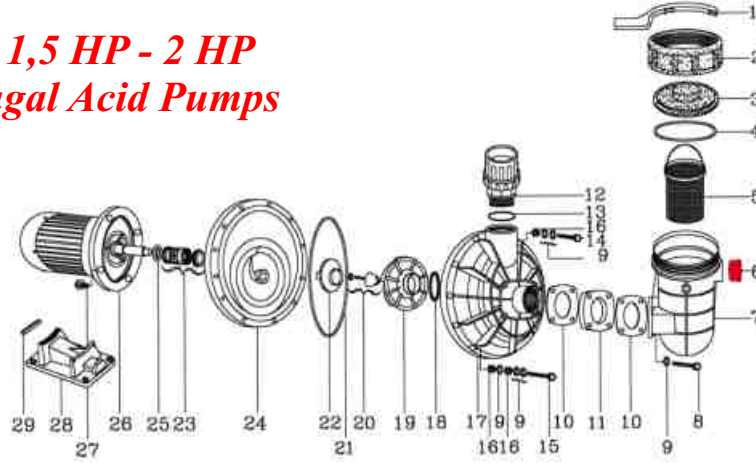
NO	PART NAME	40 HP		50 HP		60 HP	
		CODE	PRICE (€)	CODE	PRICE (€)	CODE	PRICE (€)
1	Strainer cover	PMP150-01	227,29	PMP150-01	227,29	PMP150-01	227,29
2	Strainer cover o-ring	PMP150-02	45,61	PMP150-02	45,61	PMP150-02	45,61
3	Strainer basket handle	PMP150-03	27,24	PMP150-03	27,24	PMP150-03	27,24
4	Strainer cover circle	PMP150-04	113,64	PMP150-04	113,64	PMP150-04	113,64
5	Strainer circle throttle	PMP150-05	38,83	PMP150-05	38,83	PMP150-05	38,83
6	Basket	PMP150-06	447,65	PMP150-06	447,65	PMP150-06	447,65
7	Top strainer body	PMP150-07	891,08	PMP150-07	891,08	PMP150-07	891,08
8	Cole connection o-ring	PMP150-08	22,88	PMP150-08	22,88	PMP150-08	22,88
9	Strainer bolt	PMP150-09	16,71	PMP150-09	16,71	PMP150-09	16,71
10	Strainer o-ring	PMP150-10	33,72	PMP150-10	33,72	PMP150-10	33,72
11	Drain plug	PMP150-11	18,21	PMP150-11	18,21	PMP150-11	18,21
12	Bottom strainer body	PMP150-12	891,08	PMP150-12	891,08	PMP150-12	891,08
13	Strainer connection bolt	PMP150-13	21,83	PMP150-13	21,83	PMP150-13	21,83
14	Face plate bolt	PMP400-14	31,46	PMP400-14	31,46	PMP400-14	31,46
15	Cole connection o-ring	PMP150-08	22,88	PMP150-08	22,88	PMP150-08	22,88
16	Face plate	PMP400-16	2044,81	PMP400-16	2044,81	PMP400-16	2044,81
17	Impeller screw	PMP400-17	34,92	PMP400-17	34,92	PMP400-17	34,92
18	Impeller o-ring	PMP400-18	1,96	PMP400-18	1,96	PMP400-18	1,96
19	Impeller	PMP400-19	1425,27	PMP500-19	1567,67	PMP600-19	1710,06
20	Mechanical seal	PMP400-20	1270,84	PMP400-20	1270,84	PMP400-20	1270,84
21	Body o-ring	PMP400-21	98,89	PMP400-21	98,89	PMP400-21	98,89
22	Seal plate	PMP400-22	1921,09	PMP400-22	1921,09	PMP400-22	1921,09
23	Slinger	PMP400-23	24,69	PMP500-23	24,69	PMP500-23	24,69
24	Motor bolt	PMP400-24	24,69	PMP400-24	24,69	PMP400-24	24,69
25	Electric Motor (Triphase)	PMP400-25	4180,39	PMP500-25	4597,63	PMP600-25	4777,50
26	Mounting base rubber	PMP150-29	9,03	PMP150-29	9,03	PMP150-29	9,03
27	Mounting base	PMP400-27	433,95	PMP400-27	433,95	PMP400-27	433,95
28	Mounting base connection bolts	PMP400-28	21,83	PMP400-28	21,83	PMP400-28	21,83
29	Mounting base rubber	PMP400-29	37,63	PMP500-29	37,63	PMP500-29	37,63

**1 HP - 1,5 HP - 2 HP
Santrifüj Asit Pompaları**



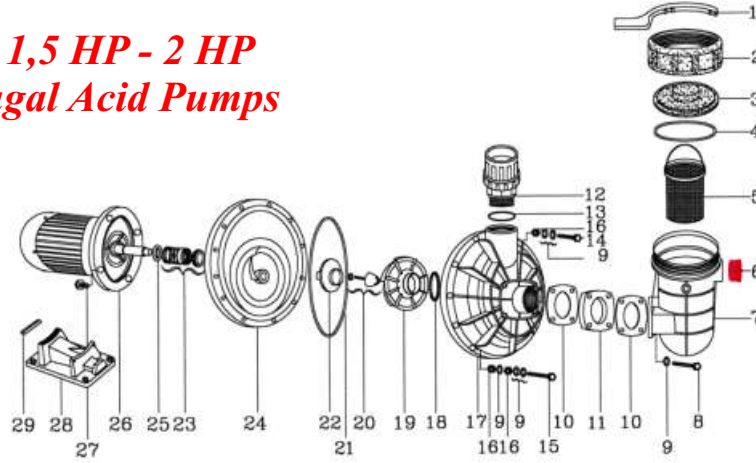
NO	PARÇA ADI	1HP		1,5 HP		2 HP	
		KOD	FİYATI (€) PRICE	KOD	FİYATI (€) PRICE	KOD	FİYATI (€) PRICE
1	Kapak anahtarı	YPS-001	5,27	YPS-001	5,27	YPS-201	5,42
2	Önfiltrer somunu	YPA-002	29,35	YPA-002	29,35	YPA-202	31,61
3	Önfiltrer kapağı	YPA-003	43,05	YPA-003	43,05	YPA-203	47,41
4	Önfiltrer kapak altı o-ringi	YPC-104	8,28	YPC-104	8,28	YPS-204	8,73
5	Süzgeç	YPS-005	48,62	YPS-005	48,62	YPS-205	39,22
6	Önfiltrer tapası	YPS-006	-	YPS-006	-	YPS-006	-
7	Önfiltrer gövdesi	YPS-007	104,01	YPS-007	104,01	YPS-207	93,92
8	Önfiltrer civatası	YPS-008	1,96	YPS-008	1,96	YPS-008	1,96
9	M8 pul	YPS-009	0,83	YPS-009	0,83	YPS-009	0,83
10	Önfiltrer ara contası	YPS-010	6,02	YPS-010	6,02	YPS-010	6,02
11	Önfiltrer ara parçası	YPS-011	8,28	YPS-011	8,28	YPS-011	8,28
12	1" - 2" Dıştan dişli rakor	YPS-012	-	YPS-012	-	YPS-212	-
13	Rakor o-ringi	YPS-013	-	YPS-013	-	YPS-213	-
14	Pompa gövde civatası	YPS-014	1,43	YPS-014	1,43	YPS-014	1,43
15	Pompa gövde alt civatası	YPS-015	2,11	YPS-015	2,11	YPS-015	2,11
16	Cıvatalı somunu	YPS-016	1,28	YPS-016	1,28	YPS-016	1,28
17	Ön gövde	YPS-017	162,86	YPS-017	162,86	YPS-017	162,86
18	Difüzör contası	YPS-018	2,56	YPS-018	2,56	YPS-018	2,56
19	Difüzör	YPS-019	23,18	YPS-019	23,18	YPS-219	22,88
20	Sol vida	YPS-020	7,22	YPS-020	7,22	YPS-020	7,22
21	Gövde o-ringi	YPS-021	15,20	YPS-021	15,20	YPS-021	15,20
22	Çark	YPA-022	57,65	YPA-122	57,65	YPA-222	62,47
23	Mekanik seramik salmastra	YPA-023	211,33	YPA-023	211,33	YPA-023	211,33
24	Arka gövde	YPA-024	226,08	YPA-024	226,08	YPA-024	226,08
25	Savurma halkası	YPS-025	1,35	YPS-025	1,35	YPS-025	1,35
26	Elektrik motoru 0,75 KW Tek faz (monofaze) 1,1 KW Tek faz (monofaze) 1,5 KW Tek faz (monofaze) 0,75 KW Üç faz (Trifaze) 1,1 KW Üç faz (Trifaze) 1,5 KW Üç faz (Trifaze)	YPS-026M YPS-026T	361,25 326,63	YPS-126M YPS-126T	418,45 358,24	YPS-226M YPS-226T	468,12 439,52
27	Motor civatası	YPS-027	2,26	YPS-027	2,26	YPS-027	2,26
28	Ayak	YPS-028	57,95	YPS-028	57,95	YPS-028	57,95
29	Ayak lastiği	YPS-029	5,27	YPS-029	5,27	YPS-029	5,27

1 HP - 1,5 HP - 2 HP Centrifugal Acid Pumps



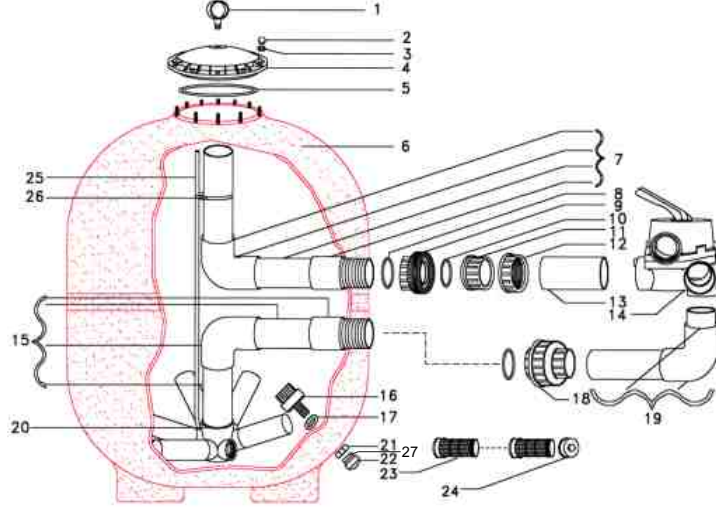
NO	PART NAME	1HP		1,5 HP		2 HP	
		CODE	PRICE(€)	CODE	PRICE(€)	CODE	PRICE(€)
1	Cover key	YPS-001	5,27	YPS-001	5,27	YPS-201	5,42
2	Strainer nut	YPA-002	29,35	YPA-002	29,35	YPA-202	31,61
3	Strainer cover	YPA-003	43,05	YPA-003	43,05	YPA-203	47,41
4	Strainer cover o-ring	YPC-104	8,28	YPC-104	8,28	YPS-204	8,73
5	Basket	YPS-005	48,62	YPS-005	48,62	YPS-205	39,22
6	Strainer plug	YPS-006	-	YPS-006	-	YPS-006	-
7	Strainer housing	YPS-007	104,01	YPS-007	104,01	YPS-207	93,92
8	Strainer cap screw	YPS-008	1,96	YPS-008	1,96	YPS-008	1,96
9	M8 washer	YPS-009	0,83	YPS-009	0,83	YPS-009	0,83
10	Strainer gasket	YPS-010	6,02	YPS-010	6,02	YPS-010	6,02
11	Strainer intermediate part	YPS-011	8,28	YPS-011	8,28	YPS-011	8,28
12	1" - 2" Ext. threaded union	YPS-012	-	YPS-012	-	YPS-212	-
13	Union o-ring	YPS-013	-	YPS-013	-	YPS-213	-
14	Face plate screw	YPS-014	1,43	YPS-014	1,43	YPS-014	1,43
15	Face plate bottom screw	YPS-015	2,11	YPS-015	2,11	YPS-015	2,11
16	Screw nut	YPS-016	1,28	YPS-016	1,28	YPS-016	1,28
17	Face plate	YPS-017	162,86	YPS-017	162,86	YPS-017	162,86
18	Diffuser gasket	YPS-018	2,56	YPS-018	2,56	YPS-018	2,56
19	Diffuser	YPS-019	23,18	YPS-019	23,18	YPS-219	22,88
20	Screw	YPS-020	7,22	YPS-020	7,22	YPS-020	7,22
21	O-ring body	YPS-021	15,20	YPS-021	15,20	YPS-021	15,20
22	Impeller	YPA-022	57,65	YPA-122	57,65	YPA-222	62,47
23	Mechanical seal	YPA-023	211,33	YPA-023	211,33	YPA-023	211,33
24	Seal plate	YPA-024	226,08	YPA-024	226,08	YPA-024	226,08
25	Slinger	YPS-025	1,35	YPS-025	1,35	YPS-025	1,35
26	Electric motor 0,75 KW Monophase 1,1 KW Monophase 1,5 KW Monophase 0,75 KW Triphase 1,1 KW Triphase 1,5 KW Triphase	YPS-026M	361,25	YPS-126M	418,45	YPS-226M	468,12
		YPS-026T	326,63				
		YPS-027	2,26	YPS-027	2,26	YPS-027	2,26
		YPS-028	57,95	YPS-028	57,95	YPS-028	57,95
29	Pad, rubber	YPS-029	5,27	YPS-029	5,27	YPS-029	5,27

1 HP - 1,5 HP - 2 HP Centrifugal Acid Pumps



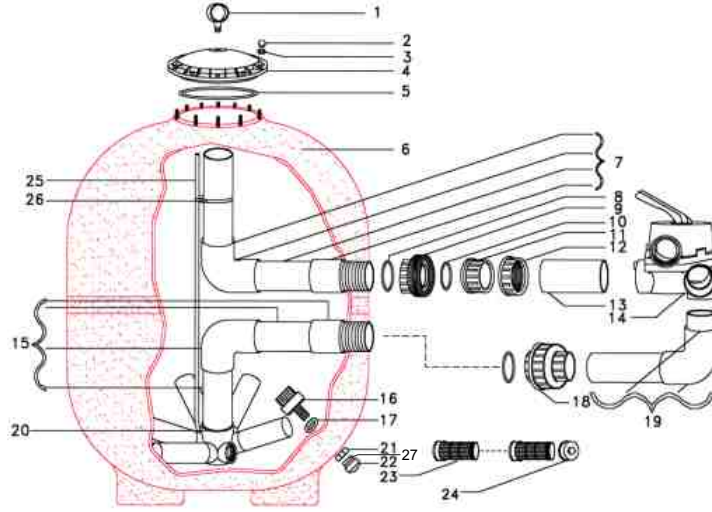
NO	PART NAME	1HP		1,5 HP		2 HP	
		CODE	PRICE(€)	CODE	PRICE(€)	CODE	PRICE(€)
1	Cover key	YPS-001	5,27	YPS-001	5,27	YPS-201	5,42
2	Strainer nut	YPA-002	29,35	YPA-002	29,35	YPA-202	31,61
3	Strainer cover	YPA-003	43,05	YPA-003	43,05	YPA-203	47,41
4	Strainer cover o-ring	YPC-104	8,28	YPC-104	8,28	YPS-204	8,73
5	Basket	YPS-005	48,62	YPS-005	48,62	YPS-205	39,22
6	Strainer plug	YPS-006	-	YPS-006	-	YPS-006	-
7	Strainer housing	YPS-007	104,01	YPS-007	104,01	YPS-207	93,92
8	Strainer cap screw	YPS-008	1,96	YPS-008	1,96	YPS-008	1,96
9	M8 washer	YPS-009	0,83	YPS-009	0,83	YPS-009	0,83
10	Strainer gasket	YPS-010	6,02	YPS-010	6,02	YPS-010	6,02
11	Strainer intermediate part	YPS-011	8,28	YPS-011	8,28	YPS-011	8,28
12	1" - 2" Ext. threaded union	YPS-012	-	YPS-012	-	YPS-212	-
13	Union o-ring	YPS-013	-	YPS-013	-	YPS-213	-
14	Face plate screw	YPS-014	1,43	YPS-014	1,43	YPS-014	1,43
15	Face plate bottom screw	YPS-015	2,11	YPS-015	2,11	YPS-015	2,11
16	Screw nut	YPS-016	1,28	YPS-016	1,28	YPS-016	1,28
17	Face plate	YPS-017	162,86	YPS-017	162,86	YPS-017	162,86
18	Diffuser gasket	YPS-018	2,56	YPS-018	2,56	YPS-018	2,56
19	Diffuser	YPS-019	23,18	YPS-019	23,18	YPS-219	22,88
20	Screw	YPS-020	7,22	YPS-020	7,22	YPS-020	7,22
21	O-ring body	YPS-021	15,20	YPS-021	15,20	YPS-021	15,20
22	Impeller	YPA-022	57,65	YPA-122	57,65	YPA-222	62,47
23	Mechanical seal	YPA-023	211,33	YPA-023	211,33	YPA-023	211,33
24	Seal plate	YPA-024	226,08	YPA-024	226,08	YPA-024	226,08
25	Slinger	YPS-025	1,35	YPS-025	1,35	YPS-025	1,35
26	Electric motor 0,75 KW Monophase 1,1 KW Monophase 1,5 KW Monophase 0,75 KW Triphase 1,1 KW Triphase 1,5 KW Triphase	YPS-026M	361,25	YPS-126M	418,45	YPS-226M	468,12
		YPS-026T	326,63				
		YPS-027	2,26	YPS-027	2,26	YPS-027	2,26
		YPS-028	57,95	YPS-028	57,95	YPS-028	57,95
29	Pad, rubber	YPS-029	5,27	YPS-029	5,27	YPS-029	5,27

**400 mm - 500 mm - 620 mm
Kum Filtreleri**



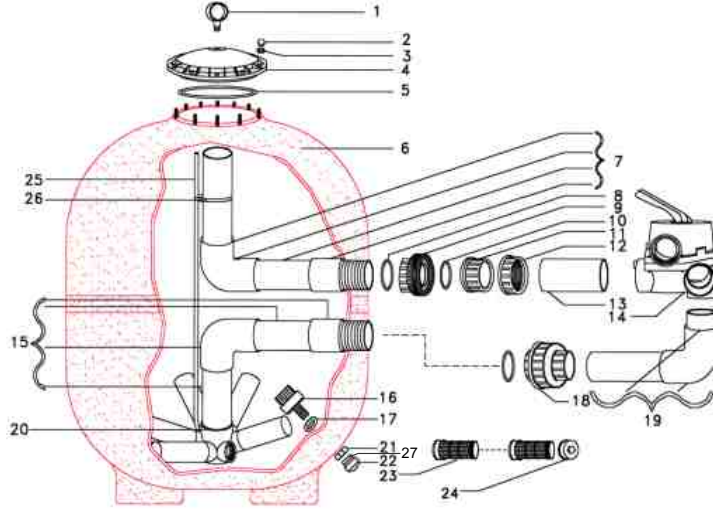
NO	PARÇA ADI	400 MM		500 MM		620 MM		
		KOD	FİYAT(€)	KOD	FİYAT(€)	KOD	FİYAT(€)	
1	Manometre	YFN-001	20,60	YFN-001	20,60	YFN-001	20,60	
2	Somun	YFN-002	2,98	YFN-002	2,98	YFN-002	2,98	
3	M8 pul	YFN-003	0,50	YFN-003	0,50	YFN-003	0,50	
4	Filtre kapağı	YFN-004	50,27	YFN-004	50,27	YFN-004	50,27	
5	Kapak altı o-ringi	YFN-005	17,61	YFN-005	17,61	YFN-005	17,61	
6	Gövde	Polyester	YFN-04P	259,44	YFN-05P	292,24	YFN-06P	351,03
		Polyvinilester	YFN-04V	483,09	YFN-05V	553,23	YFN-06V	671,38
		DIN Normu (1,2 m)				YFN-06D	1283,68	
7	Üst dağıtıcı tesisat	YFN-007	36,30	YFN-107	36,30	YFN-108	36,30	
8	Filtre rakor o-ringi	YFN-0080	3,70	YFN-0080	3,70	YFN-0080	3,70	
9	Rakor gövdesi	YRKR-506	5,70	YRKR-506	5,70	YRKR-506	5,70	
10	Rakor o-ringi	YVS-509	1,35	YVS-509	1,35	YVS-509	1,35	
11	Rakor boru bağlantı	FKL-050	1,07	FKL-050	1,07	FKL-050	1,07	
12	Rakor somunu	YVS-505	3,70	YVS-505	3,70	YVS-505	3,70	
13	Altıyollu vana üst borusu	YFN-013	6,53	YFN-013	6,53	YFN-113	6,53	
14	Altıyollu vana	ALT - 050		ALT - 050		ALT - 050		
15	Alt toplayıcı tesisat	YFN-015	36,30	YFN-015	36,30	YFN-015	36,30	
16	Silindirik tipi süzgeç	YFN-016	3,70	YFN-016	3,70	YFN-016	3,70	
17	Süzgeç contası	YFN-017	1,35	YFN-017	1,35	YFN-017	1,35	
18	Rakor (komple)	YFN-018	13,49	YFN-018	13,49	YFN-018	13,49	
19	Altıyollu vana alt borusu	YFN-019	19,88	YFN-019	19,88	YFN-019	19,88	
20	Kollektör (alt toplayıcı)	YFN-020	52,26	YFN-020	52,26	YFN-020	52,26	
21	Süzgeç somunu	YFN-021	1,07	YFN-021	1,07	YFN-021	1,07	
22	Süzgeç tapası	YFN-022	1,07	YFN-022	1,07	YFN-022	1,07	
23	Filtre süzgeci	YFN-023	2,20	YFN-023	2,20	YFN-023	2,20	
24	Filtre süzgeç kapağı	YFN-024	1,35	YFN-024	1,35	YFN-024	1,35	
25	Hava tahliye borusu	YFN-025	5,96	YFN-025	5,96	YFN-025	5,96	
26	Hava tahliye borusu o-ringi	YFN-026	2,70	YFN-026	2,70	YFN-026	2,70	
27	Süzgeç tapa contası	YFN-027	1,35	YFN-027	1,35	YFN-027	1,35	

400 mm - 500 mm - 620 mm
'ters



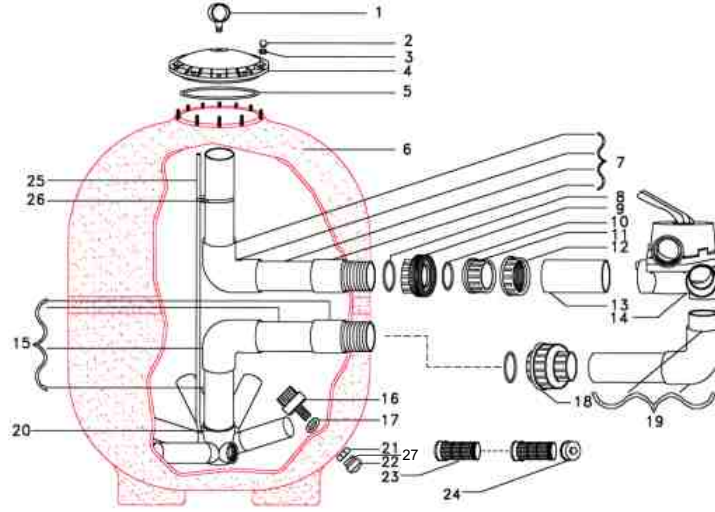
NO	PART NAME	400 MM		500 MM		620 MM		
		CODE	PRICE (€)	CODE	PRICE (€)	CODE	PRICE (€)	
1	Manometer	YFN-001	20,60	YFN-001	20,60	YFN-001	20,60	
2	Nut	YFN-002	2,98	YFN-002	2,98	YFN-002	2,98	
3	M8 Washer	YFN-003	0,50	YFN-003	0,50	YFN-003	0,50	
4	Top closure dome	YFN-004	50,27	YFN-004	50,27	YFN-004	50,27	
5	Valve / tank o-ring	YFN-005	17,61	YFN-005	17,61	YFN-005	17,61	
6	Filter tank	Polyester	YFN-04P	259,44	YFN-05P	292,24	YFN-06P	351,03
		Polyvinylester	YFN-04V	483,09	YFN-05V	553,23	YFN-06V	671,38
		DIN Normu (1,2 m)					YFN-06D	1283,68
7	Top diffuser equipment	YFN-007	36,30	YFN-107	36,30	YFN-108	36,30	
8	O-ringi	YFN-0080	3,70	YFN-0080	3,70	YFN-0080	3,70	
9	Union body	YRKR-506	5,70	YRKR-506	5,70	YRKR-506	5,70	
10	Union o-ringi	YVS-509	1,35	YVS-509	1,35	YVS-509	1,35	
11	Union pipe connection	FKL-050	1,07	FKL-050	1,07	FKL-050	1,07	
12	Compression fitting/Gasket	YVS-505	3,70	YVS-505	3,70	YVS-505	3,70	
13	Multiport valve top pipe	YFN-013	6,53	YFN-013	6,53	YFN-113	6,53	
14	Multiport valve	ALT - 050		ALT - 050		ALT - 050		
15	Bottom assembly equipmen	YFN-015	36,30	YFN-015	36,30	YFN-015	36,30	
16	Cylindric type filter nozzle	YFN-016	3,70	YFN-016	3,70	YFN-016	3,70	
17	Filter nozzle gasket	YFN-017	1,35	YFN-017	1,35	YFN-017	1,35	
18	Union (complete)	YFN-018	13,49	YFN-018	13,49	YFN-018	13,49	
19	Multiport valve bottom pipe	YFN-019	19,88	YFN-019	19,88	YFN-019	19,88	
20	Lateral holder assembly	YFN-020	52,26	YFN-020	52,26	YFN-020	52,26	
21	Drain nut	YFN-021	1,07	YFN-021	1,07	YFN-021	1,07	
22	Drain cap	YFN-022	1,07	YFN-022	1,07	YFN-022	1,07	
23	Lateral	YFN-023	2,20	YFN-023	2,20	YFN-023	2,20	
24	Lateral cap	YFN-024	1,35	YFN-024	1,35	YFN-024	1,35	
25	Plastic tube	YFN-025	5,96	YFN-025	5,96	YFN-025	5,96	
26	Plastic air tube o-ringi	YFN-026	2,70	YFN-026	2,70	YFN-026	2,70	
27	Drain cap gasket	YFN-027	1,35	YFN-027	1,35	YFN-027	1,35	

**760 mm - 820 mm - 920 mm
Kum Filtreleri**



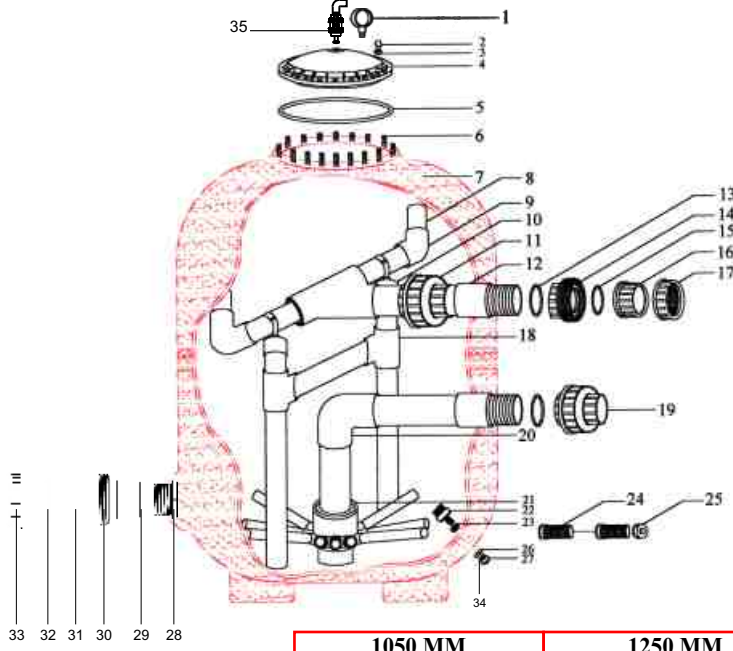
NO	PARÇA ADI	760 MM		820 MM		920 MM		
		KOD	FİYAT(€)	KOD	FİYAT(€)	KOD	FİYAT(€)	
1	Manometre	YFN-001	20,60	YFN-001	20,60	YFN-001	20,60	
2	Somun	YFN-002	2,98	YFN-002	2,98	YFN-002	2,98	
3	M8 pul	YFN-003	0,50	YFN-003	0,50	YFN-003	0,50	
4	Filtre kapağı	YFN-004	50,27	YFN-004	50,27	YFN-004	50,27	
5	Kapak altı o-ringi	YFN-005	17,61	YFN-005	17,61	YFN-005	17,61	
6	Gövde	Polyester	YFN-07P	524,90	YFN-08P	630,80	YFN-09P	682,60
		Polyvinilester	YFN-07V	1015,50	YFN-08V	1237,60	YFN-09V	1344,10
		DIN Normu (1,2 m)	YFN-07D	1471,90	YFN-08D	1756,40	YFN-09D	1874,40
7	Üst dağıtıcı tesisat	YFN-207	45,30	YFN-208	45,30	YFN-209	45,30	
8	Filtre rakor o-ringi	YFN-008	3,70	YFN-008	3,70	YFN-008	3,70	
9	Rakor gövdesi	YRKR-636	7,24	YRKR-636	7,24	YRKR-636	7,24	
10	Rakor o-ringi	YVS-609	2,06	YVS-609	2,06	YVS-609	2,06	
11	Rakor boru bağlantı	FKL-063	1,09	FKL-063	1,09	FKL-063	1,09	
12	Rakor somunu	YVS-605	4,97	YVS-605	4,97	YVS-605	4,97	
13	Altıyollu vana üst borusu	YFN-013	6,53	YFN-013	6,53	YFN-113	6,53	
14	Altıyollu vana	ALT - 063		ALT - 063		ALT - 063		
15	Alt toplayıcı tesisat	YFN-116	45,30	YFN-117	45,30	YFN-115	45,30	
16	Silindirik tipi süzgeç	YFN-016	3,70	YFN-016	3,70	YFN-016	3,70	
17	Süzgeç contası	YFN-017	1,35	YFN-017	1,35	YFN-017	1,35	
18	Rakor (komple)	YFN-218	15,05	YFN-218	15,05	YFN-218	15,05	
19	Altıyollu vana alt borusu	YFN-019	19,88	YFN-019	19,88	YFN-019	19,88	
20	Kollektör (alt toplayıcı)	YFN-020	52,26	YFN-020	52,26	YFN-020	52,26	
21	Süzgeç somunu	YFN-021	1,07	YFN-021	1,07	YFN-021	1,07	
22	Süzgeç tapası	YFN-022	1,07	YFN-022	1,07	YFN-022	1,07	
23	Filtre süzgeci	YFN-023	2,20	YFN-023	2,20	YFN-023	2,20	
24	Filtre süzgeç kapağı	YFN-024	1,35	YFN-024	1,35	YFN-024	1,35	
25	Hava tahliye borusu	YFN-025	5,96	YFN-025	5,96	YFN-025	5,96	
26	Hava tahliye borusu o-ringi	YFN-026	2,70	YFN-026	2,70	YFN-026	2,70	
27	Süzgeç tapa contası	YFN-027	1,35	YFN-027	1,35	YFN-027	1,35	

760 mm - 820 mm - 920 mm
Sand Filters



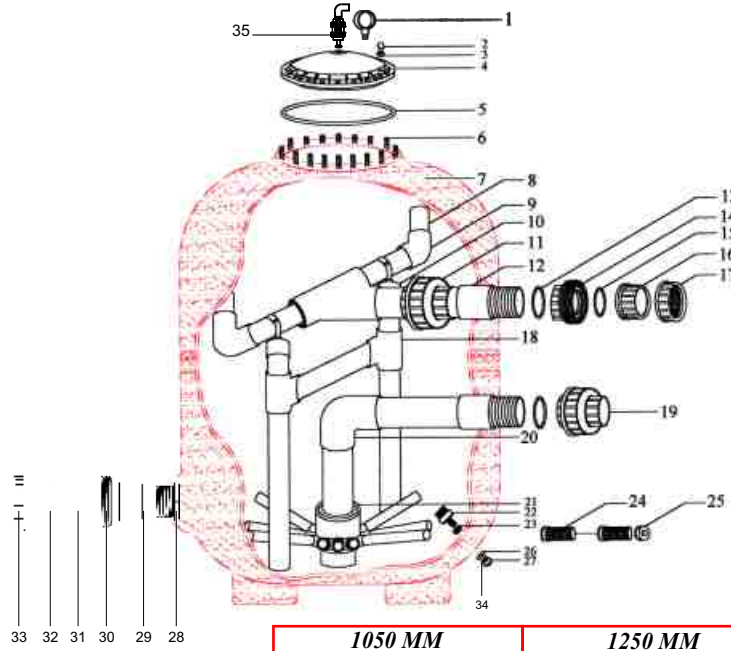
NO	PART NAME	760 MM		820 MM		920 MM	
		CODE	PRICE (€)	CODE	PRICE (€)	CODE	PRICE (€)
1	Manometer	YFN-001	20,60	YFN-001	20,60	YFN-001	20,60
2	Nut	YFN-002	2,98	YFN-002	2,98	YFN-002	2,98
3	M8 Washer	YFN-003	0,50	YFN-003	0,50	YFN-003	0,50
4	Top closure dome	YFN-004	50,27	YFN-004	50,27	YFN-004	50,27
5	Valve / tank o-ring	YFN-005	17,61	YFN-005	17,61	YFN-005	17,61
6	Polyester	YFN-07P	524,90	YFN-08P	630,80	YFN-09P	682,60
	Polyvinylester	YFN-07V	1015,50	YFN-08V	1237,60	YFN-09V	1344,10
	DIN Normu (1,2 m)	YFN-07D	1471,90	YFN-08D	1756,40	YFN-09D	1874,40
7	Top diffuser equipment	YFN-207	45,30	YFN-208	45,30	YFN-209	45,30
8	O-ringi	YFN-008	3,70	YFN-008	3,70	YFN-008	3,70
9	Union body	YRKR-636	7,24	YRKR-636	7,24	YRKR-636	7,24
10	Union o-ringi	YVS-609	2,06	YVS-609	2,06	YVS-609	2,06
11	Union pipe connection	FKL-063	1,09	FKL-063	1,09	FKL-063	1,09
12	Compression fitting/Gasket	YVS-605	4,97	YVS-605	4,97	YVS-605	4,97
13	Multiport valve top pipe	YFN-013	6,53	YFN-013	6,53	YFN-113	6,53
14	Multiport valve	ALT - 063		ALT - 063		ALT - 063	
15	Bottom assembly equipment	YFN-116	45,30	YFN-117	45,30	YFN-115	45,30
16	Cylindric type filter nozzle	YFN-016	3,70	YFN-016	3,70	YFN-016	3,70
17	Filter nozzle gasket	YFN-017	1,35	YFN-017	1,35	YFN-017	1,35
18	Union (complete)	YFN-218	15,05	YFN-218	15,05	YFN-218	15,05
19	Multiport valve bottom pipe	YFN-019	19,88	YFN-019	19,88	YFN-019	19,88
20	Lateral holder assembly	YFN-020	52,26	YFN-020	52,26	YFN-020	52,26
21	Drain nut	YFN-021	1,07	YFN-021	1,07	YFN-021	1,07
22	Drain cap	YFN-022	1,07	YFN-022	1,07	YFN-022	1,07
23	Lateral	YFN-023	2,20	YFN-023	2,20	YFN-023	2,20
24	Lateral cap	YFN-024	1,35	YFN-024	1,35	YFN-024	1,35
25	Plastic tube	YFN-025	5,96	YFN-025	5,96	YFN-025	5,96
26	Plastic air tube o-ringi	YFN-026	2,70	YFN-026	2,70	YFN-026	2,70
27	Drain cap gasket	YFN-027	1,35	YFN-027	1,35	YFN-027	1,35

**1050 mm - 1250 mm
Kum Filtreleri**



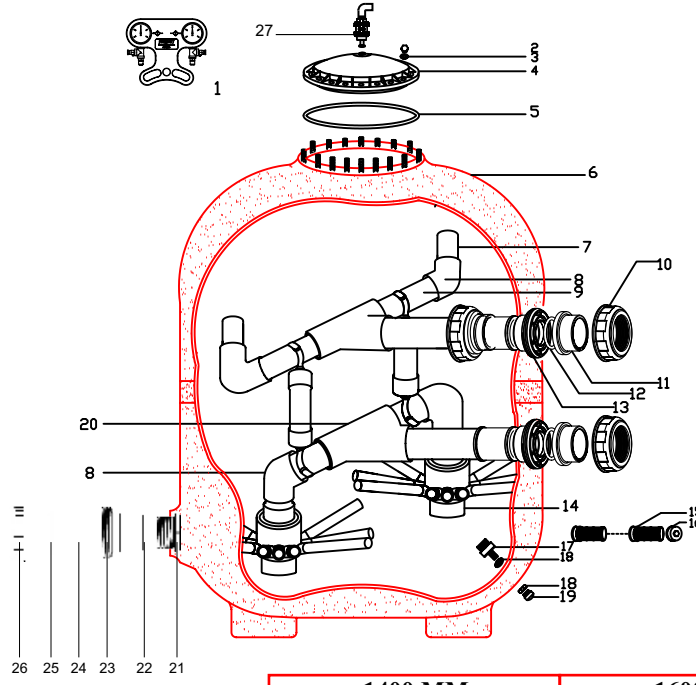
NO	PARÇA ADI	1050 MM		1250 MM	
		KOD	FİYAT (€)	KOD	FİYAT (€)
1	Manometre	YFN-001	20,60	YFN-001	20,60
2	M10 somun	1250-02	1,56	1250-02	1,56
3	M10 pul	1250-03	1,07	1250-03	1,07
4	Filtre kapağı	1250-04	253,33	1250-04	253,33
5	Kapak altı o-ringi	1250-05	29,54	1250-05	29,54
6	M10 Cıvata	1250-06	1,99	1250-06	1,99
7	Polyester	YFN-010P	936,40	YFN-012P	1607,30
	GövdePolyvinilester	YFN-010V	1813,80	YFN-012V	2751,00
	DIN Normu (1,2 m)	YFN-010D	2049,40	YFN-012D	2933,90
8	63 mm. Boru	PN10-063		PN10-063	
9	63 mm. Dirsek (90°)	F90-063	1,31	F90-063	1,31
10	63 mm. Körtapa	FKT-063	0,81	FKT-063	0,81
11	90 mm. Rakor	RPVC-090	26,55	RPVC-090	26,55
12	90 mm. Adaptör	YFN-927	9,66	YFN-927	9,66
13	Filtre rakor o-ringi	1250-13	5,40	1250-13	5,40
14	Rakor gövdesi	YRKR-906	21,16	YRKR-906	21,16
15	Rakor o-ringi	PMP35-16	6,39	PMP35-16	6,39
16	Rakor boru bağlantı	FKL-090	1,79	FKL-090	1,79
17	Rakor somunu	YVS-805	13,77	YVS-805	13,77
18	63 mm. Te	FTE-063	1,70	FTE-063	1,70
19	90 mm. Rakor	YFN-318	38,06	YFN-318	38,06
20	90 mm. Dirsek (90°)	F90-090	3,62	F90-090	3,62
21	Kollektör (12 kollu)	1250-21	141,72	1250-21	141,72
22	Silindirik tip süzgeç	YFN-016	3,69	YFN-016	3,69
23	Süzgeç contası	YFN-017	1,35	YFN-017	1,35
24	Filtre süzgeci	YFN-023	2,20	YFN-023	2,20
25	Filtre süzgeç kapağı	YFN-024	1,35	YFN-024	1,35
26	Süzgeç somunu	YFN-021	1,07	YFN-021	1,07
27	Süzgeç tapası	YFN-022	1,07	YFN 022	1,07
28	Dış dişli adaptör	1250-28	13,49	1250-28	13,49
29	O-ring	1250-29	9,66	1250-29	9,66
30	Rakor gövde	YRKR-116	25,70	YRKR-116	25,70
31	O-ring	PMP35-07	7,10	PMP35-07	7,10
32	Tapası	1250-32	5,25	1250-32	5,25
33	Somun	YVS-905	16,61	YVS-905	16,61
34	Süzgeç tapa contası	YFN-027	1,35	YFN-027	1,35
35	Kapak üst tesisatı	1250-001	12,78	1250-001	12,78

1050 mm - 1250 mm
Sand Filters

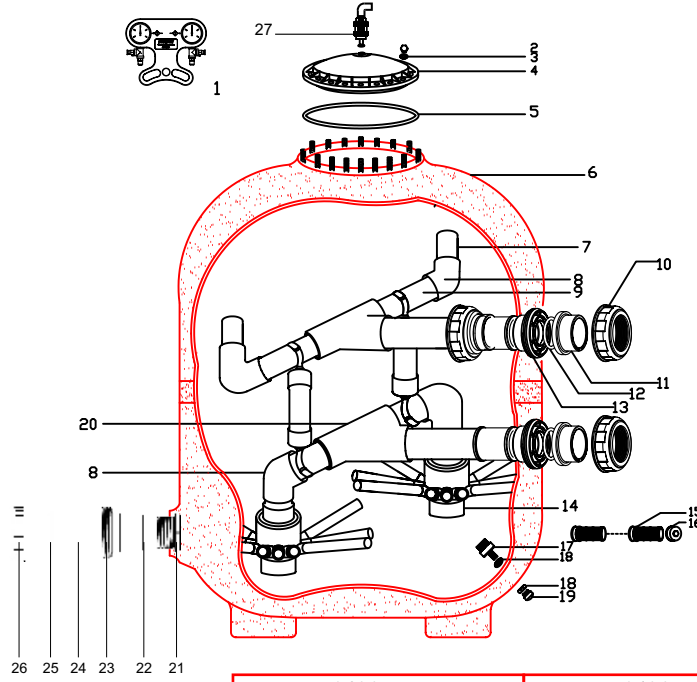


NO	PART NAME	1050 MM		1250 MM	
		CODE	PRICE (€)	CODE	PRICE (€)
1	Manometer	YFN-001	20,60	YFN-001	20,60
2	M10 nut	1250-02	1,56	1250-02	1,56
3	M10 washer	1250-03	1,07	1250-03	1,07
4	Top closure dome	1250-04	253,33	1250-04	253,33
5	Tank o-ring	1250-05	29,54	1250-05	29,54
6	M10 bolt	1250-06	1,99	1250-06	1,99
7	Filter Polyester	YFN-010P	936,40	YFN-012P	1607,30
	Polyvinylester	YFN-010V	1813,80	YFN-012V	2751,00
	DIN Normu (1,2 m)	YFN-010D	2049,40	YFN-012D	2933,90
8	63 mm. Pipe	PN10-063		PN10-063	
9	63 mm. Elbow (90°)	F90-063	1,31	F90-063	1,31
10	63 mm. Cap	FKT-063	0,81	FKT-063	0,81
11	90 mm. Union	RPVC-090	26,55	RPVC-090	26,55
12	90 mm. Adapter	YFN-927	9,66	YFN-927	9,66
13	Body o-ring	1250-13	5,40	1250-13	5,40
14	Union body	YRKR-906	21,16	YRKR-906	21,16
15	Union o-ring	PMP35-16	6,39	PMP35-16	6,39
16	Union pipe connection	FKL-090	1,79	FKL-090	1,79
17	Union nut	YVS-805	13,77	YVS-805	13,77
18	63 mm. Tee	FTE-063	1,70	FTE-063	1,70
19	90 mm. Union	YFN-318	38,06	YFN-318	38,06
20	90 mm. Pipe	F90-090	3,62	F90-090	3,62
21	Lateral holder assembly	1250-21	141,72	1250-21	141,72
22	Cylindric type filter nozzle	YFN-016	3,69	YFN-016	3,69
23	Filter nozzle gasket	YFN-017	1,35	YFN-017	1,35
24	Lateral	YFN-023	2,20	YFN-023	2,20
25	Lateral cap	YFN-024	1,35	YFN-024	1,35
26	Drain nut	YFN-021	1,07	YFN-021	1,07
27	Drain cap	YFN-022	1,07	YFN 022	1,07
28	Exterior Threaded Adapters	1250-28	13,49	1250-28	13,49
29	O-ring	1250-29	9,66	1250-29	9,66
30	Union Body	YRKR-116	25,70	YRKR-116	25,70
31	O-ring	PMP35-07	7,10	PMP35-07	7,10
32	Cap	1250-32	5,25	1250-32	5,25
33	Nut	YVS-905	16,61	YVS-905	16,61
34	Drain cap gasket	YFN-027	1,35	YFN-027	1,35
35	Top closure dome's parts	1250-001	12,78	1250-001	12,78

**1400 mm - 1600 mm
Kum Filtreleri**



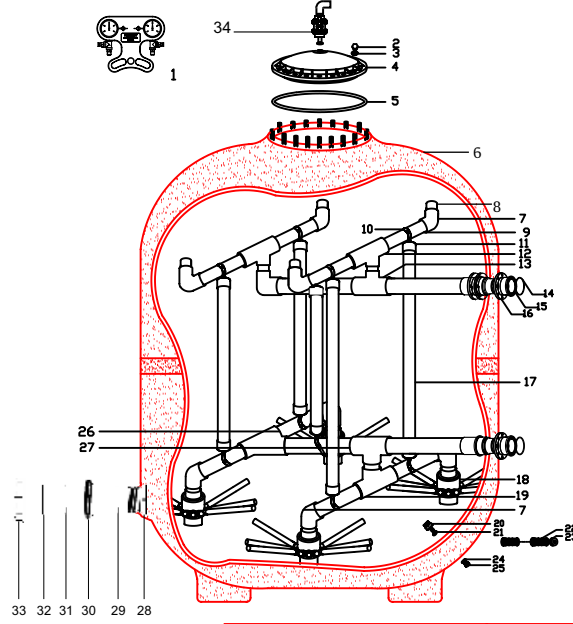
NO	PARÇA ADI	1400 MM		1600 MM	
		KOD	FİYAT (€)	KOD	FİYAT (€)
1	Çifli Manometre (Komple)	ÇMA-001	380,56	ÇMA-001	380,56
2	M10 Somun	1250-02	1,56	1250-02	1,56
3	M10 Pul	1250-03	1,07	1250-03	1,07
4	Filtre kapağı	1250-04	253,33	1250-04	253,33
5	Kapak altı o-ringi	1250-05	29,54	1250-05	29,54
6	Polyester	YFN-014P	1881,70	YFN-016P	2132,20
	Polyvinilester	YFN-014V	3167,50	YFN-016V	3907,90
	DIN Normu (1,2 m)	YFN-014D	3991,80	YFN-016D	4620,70
7	90 mm. Boru	PN10-090		PN10-090	
8	90 mm. Dirsek (90°)	F90-090	3,62	F90-090	3,62
9	90 mm. Boru	PN10-090		PN10-090	
10	110 mm. Somun	YVS-905	16,61	YVS-905	16,61
11	110 mm. Boru Bağlantı	FKL-110	3,76	FKL-110	3,76
12	110 mm. O-ring	PMP35-07	7,10	PMP35-07	7,10
13	110 mm. Rekor Gövde	YRKR-116	25,70	YRKR-116	25,70
14	Kollektör (12 Kollu)	1250-21	141,72	1250-21	141,72
15	Filtre Süzgeci	YFN-023	2,20	YFN-023	2,20
16	Süzgeç Kapağı	YFN-024	1,35	YFN-024	1,35
17	Silindirik Tip Süzgeç	YFN-016	3,69	YFN-016	3,69
18	Süzgeç Contası	YFN-017	1,35	YFN-017	1,35
19	Süzgeç Somunu	YFN-021	1,07	YFN-021	1,07
20	110 mm. TE	FTE-110	7,46	FTE-110	7,46
21	Dış dişli adaptör	1250-28	13,49	1250-28	13,49
22	O-ring	1250-29	9,66	1250-29	9,66
23	Rakor gövde	YRKR-116	25,70	YRKR-116	25,70
24	O-ring	PMP35-07	7,10	PMP35-07	7,10
25	Tapa	1250-32	5,25	1250-32	5,25
26	Somun	YVS-905	16,61	YVS-905	16,61
27	Kapak üst tesisatı	1250-001	12,78	1250-001	12,78



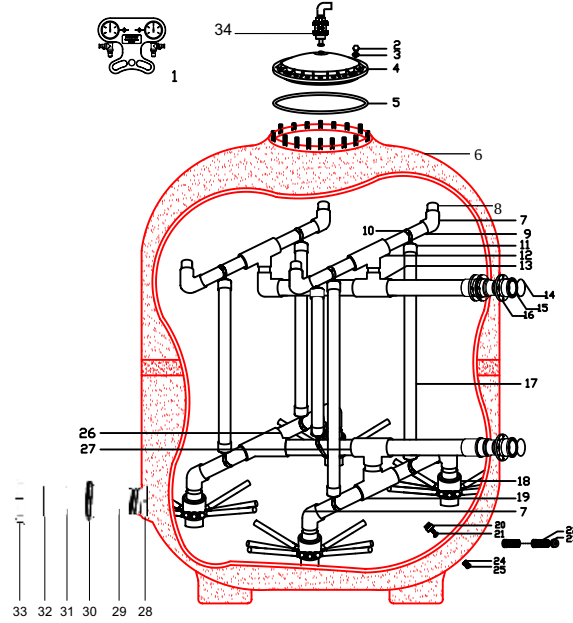
1400 mm - 1600 mm
Sand Filters

NO	PART NAME	1400 MM		1600 MM	
		CODE	PRICE (€)	CODE	PRICE (€)
1	Double Mamometer	ÇMA-001	380,56	ÇMA-001	380,56
2	M10 Nut	1250-02	1,56	1250-02	1,56
3	M10 washer	1250-03	1,07	1250-03	1,07
4	Top closure dome	1250-04	253,33	1250-04	253,33
5	Tank o-ring	1250-05	29,54	1250-05	29,54
6	Polyester	YFN-014P	1881,70	YFN-016P	2132,20
	Filter tank Polyvinylester	YFN-014V	3167,50	YFN-016V	3907,90
	DIN Normu (1,2 m)	YFN-014D	3991,80	YFN-016D	4620,70
7	90 mm. Pipe	PN10-090		PN10-090	
8	90 mm. Elbow (90°)	F90-090	3,62	F90-090	3,62
9	90 mm. Pipe	PN10-090		PN10-090	
10	110 mm Nut	YVS-905	16,61	YVS-905	16,61
11	110 mm. Pipe Con.	FKL-110	3,76	FKL-110	3,76
12	110 mm. O-ring	PMP35-07	7,10	PMP35-07	7,10
13	110 mm. Union Body	YRKR-116	25,70	YRKR-116	25,70
14	Lateral holder assembly	1250-21	141,72	1250-21	141,72
15	Lateral	YFN-023	2,20	YFN-023	2,20
16	Lateral cap	YFN-024	1,35	YFN-024	1,35
17	Cylindric Type Nozzle	YFN-016	3,69	YFN-016	3,69
18	Nozzle Gasket	YFN-017	1,35	YFN-017	1,35
19	Drain Nut	YFN-021	1,07	YFN-021	1,07
20	110 mm. TE	FTE-110	7,46	FTE-110	7,46
21	Exterior Threaded Adapters	1250-28	13,49	1250-28	13,49
22	O-ring	1250-29	9,66	1250-29	9,66
23	Union Body	YRKR-116	25,70	YRKR-116	25,70
24	O-ring	PMP35-07	7,10	PMP35-07	7,10
25	Cap	1250-32	5,25	1250-32	5,25
26	Nut	YVS-905	16,61	YVS-905	16,61
27	Top closure dome's parts	1250-001	12,78	1250-001	12,78

**1800 mm - 2000 mm
Kum Filtreleri**

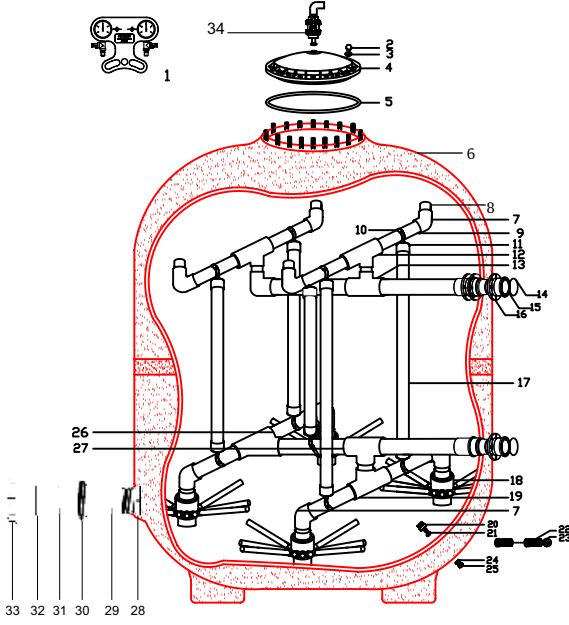


NO	PARÇA ADI	KOD	1800 MM		2000 MM	
			FİYAT (€)	KOD	FİYAT (€)	
1	Çiftli Manometre (Komple)	ÇMA-001	380,56	ÇMA-001	380,56	
2	M10 Somun	1250-02	1,56	1250-02	1,56	
3	M10 Pul	1250-03	1,07	1250-03	1,07	
4	Filtre kapağı	1250-04	253,33	1250-04	1250,33	
5	Kapak altı o-ringi	1250-05	29,54	1250-05	29,54	
6	Gövde Polyester Polyvinilester DIN Normu (1,2 m)	YFN-018P	3062,60	YFN-020P	4100,30	
		YFN-018V	5454,10	YFN-020V	7222,40	
		YFN-018D	5689,30	YFN-020D	7500,00	
7	90 mm. Dirsek (90°)	F90-090	3,62	F90-090	3,62	
8	90 mm. Boru	PN10-090		PN10-090		
9	90 mm. Boru	PN10-090		PN10-090		
10	90 mm. Kelepçe	FBK-090	1,08	FBK-090	1,08	
11	75 mm. Kör Tapa	FKT-075	1,38	FKT-075	1,38	
12	110 mm. TE	FTE-110	7,46	FTE-110	7,46	
13	160 mm. TE	FTE-160	24,99	FTE-160	24,99	
14	160 mm. Kole O-ringi	ÇÇY-0605	9,66	ÇÇY-0605	9,66	
15	160 mm. Kole	YFN-1814	9,23	YFN-1814	9,23	
16	160 mm. Flanş	FFL-160	6,25	FFL-160	6,25	
17	75 mm. Boru	PN10-075		PN10-075		
18	Kollektör (12 Kollu)	1250-21	141,72	1250-21	141,72	
19	110 mm. TE	FTE-110	7,46	FTE-110	7,46	
20	Silindirik Tip Süzgeç	YFN-016	3,69	YFN-016	3,69	
21	Süzgeç Contası	YFN-017	1,35	YFN-017	1,35	
22	Filtre Süzgeci	YFN-023	2,20	YFN-023	2,20	
23	F. Süzgeç Kapağı	YFN-024	1,35	YFN-024	1,35	
24	Süzgeç Somunu	YFN-021	1,07	YFN-021	1,07	
25	Süzgeç Tapası	YFN-022	1,07	YFN-022	1,07	
26	160 mm. TE	FTE-160	24,99	FTE-160	24,99	
27	M10 Somun	1250-02	1,56	1250-02	1,56	
28	Dış dişli adaptör	1250-28	13,49	1250-28	13,49	
29	O-ring	1250-29	9,66	1250-29	9,66	
30	Rakor gövde	FKL-161	25,70	FKL-161	25,70	
31	O-ring	PMP35-07	7,10	PMP35-07	7,10	
32	Tapa	1250-32	5,25	1250-32	5,25	
33	Somun	YVS-905	16,61	YVS-905	16,61	
34	Kapak üst tesisatı	1250-001	12,78	1250-001	12,78	



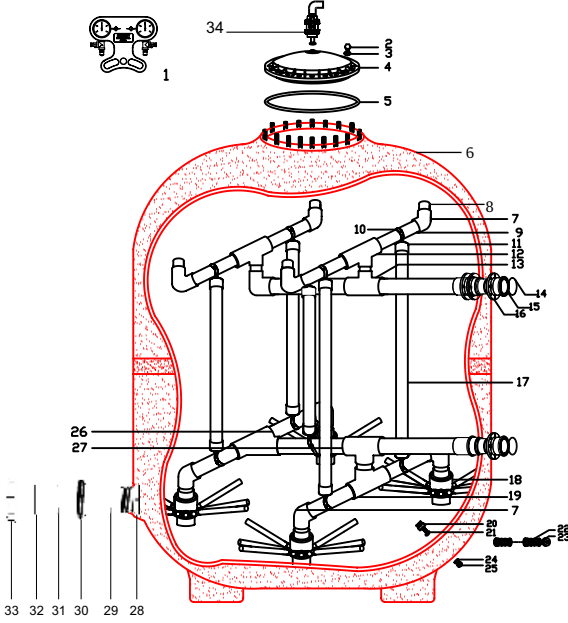
NO	PART NAME	1800 MM		2000 MM	
		CODE	PRICE (€)	CODE	PRICE (€)
1	Double Mamometer	ÇMA-001	380,56	ÇMA-001	380,56
2	M10 Nut	1250-02	1,56	1250-02	1,56
3	M10 washer	1250-03	1,07	1250-03	1,07
4	Top closure dome	1250-04	253,33	1250-04	1250,33
5	Tank o-ring	1250-05	29,54	1250-05	29,54
6	Polyester	YFN-018P	3062,60	YFN-020P	4100,30
	Filter tank Polyvinylester	YFN-018V	5454,10	YFN-020V	7222,40
	DIN Norm (1,2 m)	YFN-018D	5689,30	YFN-020D	7500,00
7	90 mm. Elbow (90°)	F90-090	3,62	F90-090	3,62
8	90 mm. Pipe	PN10-090		PN10-090	
9	90 mm. Pipe	PN10-090		PN10-090	
10	90 mm. Clip	FBK-090	1,08	FBK-090	1,08
11	75 mm. Cap	FKT-075	1,38	FKT-075	1,38
12	110 mm. TE	FTE-110	7,46	FTE-110	7,46
13	160 mm. TE	FTE-160	24,99	FTE-160	24,99
14	160 mm. Collar O-ring	ÇÇY-0605	9,66	ÇÇY-0605	9,66
15	160 mm. Collar	YFN-1814	9,23	YFN-1814	9,23
16	160 mm. Flange	FFL-160	6,25	FFL-160	6,25
17	75 mm. Pipe	PN10-075		PN10-075	
18	Lateral holder assembly	1250-21	141,72	1250-21	141,72
19	110 mm. TE	FTE-110	7,46	FTE-110	7,46
20	Cylindric Type Nozzle	YFN-016	3,69	YFN-016	3,69
21	Filter Nozzle Gasket	YFN-017	1,35	YFN-017	1,35
22	Lateral	YFN-023	2,20	YFN-023	2,20
23	Lateral Cap	YFN-024	1,35	YFN-024	1,35
24	Drain Nut	YFN-021	1,07	YFN-021	1,07
25	Drain Cap	YFN-022	1,07	YFN-022	1,07
26	160 mm TE	FTE-160	24,99	FTE-160	24,99
27	M10 Nut	1250-02	1,56	1250-02	1,56
28	Exterior Threaded Adapters	1250-28	13,49	1250-28	13,49
29	O-ring	1250-29	9,66	1250-29	9,66
30	Union Body	FKL-161	25,70	FKL-161	25,70
31	O-ring	PMP35-07	7,10	PMP35-07	7,10
32	Cap	1250-32	5,25	1250-32	5,25
33	Nut	YVS-905	16,61	YVS-905	16,61
34	Top closure dome s parts	1250-001	12,78	1250-001	12,78

2350 mm Kum Filtreleri



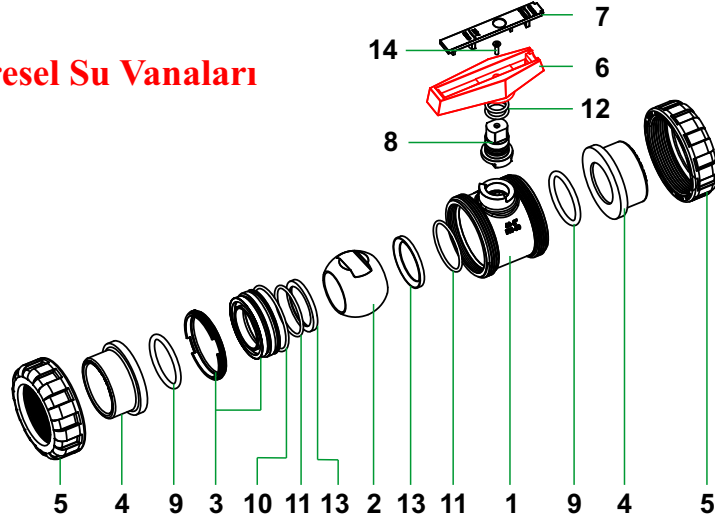
		2350 MM	
NO	PARÇA ADI	KOD	FİYAT (€)
1	Çiftli Manometre (Komple)	ÇMA-001	380,56
2	M10 Somun	1250-02	1,56
3	M10 Pul	1250-03	1,07
4	Filtre kapağı	1250-04	253,33
5	Kapak altı o-ringi	1250-05	29,54
6	Gövde	Polyester YFN-023P Polyvinilester YFN-023V	10431,10 18357,20
7	90 mm. Dirsek (90°)	F90-090	3,62
8	90 mm. Boru	PN10-090	
9	90 mm. Boru	PN10-090	
10	90 mm. Kelepçe	FBK-090	1,08
11	75 mm. Kör Tapa	FKT-075	1,38
12	110 mm. TE	FTE-110	7,46
13	200 mm. TE	FTE-200	44,59
14	200 mm. Kole O-ringi	PMP150-08	21,58
15	200 mm. Kole	FKL-200	10,37
16	200 mm. Flanş	FFL-200	12,00
17	75 mm. Boru	PN10-075	
18	Kollektör (12 Kollu)	1250-21	141,72
19	110 mm. TE	FTE-110	7,46
20	Silindirik Tip Süzgeç	YFN-016	3,69
21	Süzgeç Contası	YFN-017	1,35
22	Filtre Süzgeci	YFN-023	2,20
23	F. Süzgeç Kapağı	YFN-024	1,35
24	Süzgeç Somunu	YFN-021	1,07
25	Süzgeç Tapası	YFN-022	1,07
26	200 mm. Dirsek (90°)	F90-200	42,60
27	200 mm. TE	FTE-200	44,59
28	Dış dişli adaptör	1250-28	13,49
29	O-ring	1250-29	9,66
30	Rakor gövde	FKL-161	25,70
31	O-ring	PMP35-07	7,10
32	Tapa	1250-32	5,25
33	Somun	YVS-905	16,61
34	Kapak üst tesisat	1250-001	12,78

**2350 mm
Sand Filters**



		2350 MM		
NO	PART NAME	CODE	PRICE (€)	
1	Double Manometer	ÇMA-001	380,56	
2	M10 Nut	1250-02	1,56	
3	M10 Washer	1250-03	1,07	
4	Top closure dome	1250-04	253,33	
5	Tank o-ringi	1250-05	29,54	
6	Filter Tank	Polyester	YFN-023P	10431,10
		Polyvinylester	YFN-023V	18357,20
7	90 mm. Elbow (90°)	F90-090	3,62	
8	90 mm. Pipe	PN10-090		
9	90 mm. Pipe	PN10-090		
10	90 mm. Clip	FBK-090	1,08	
11	75 mm. Cap	FKT-075	1,38	
12	110 mm. TE	FTE-110	7,46	
13	200 mm. TE	FTE-200	44,59	
14	200 mm. Collar O-ring	PMP150-08	21,58	
15	200 mm. Collar	FKL-200	10,37	
16	200 mm. Flange	FFL-200	12,00	
17	75 mm. Pipe	PN10-075		
18	Lateral Holder	1250-21	141,72	
19	110 mm. TE	FTE-110	7,46	
20	Cylindiric Type Nozzle	YFN-016	3,69	
21	Filter Nozzle Gasket	YFN-017	1,35	
22	Lateral	YFN-023	2,20	
23	Lateral Cap	YFN-024	1,35	
24	Drain Nut	YFN-021	1,07	
25	Drain Cap	YFN-022	1,07	
26	200 mm. Elbow (90°)	F90-200	42,60	
27	200 mm. TE	FTE-200	44,59	
28	Exterior Threaded Adapters	1250-28	13,49	
29	O-ring	1250-29	9,66	
30	Union Body	FKL-161	25,70	
31	O-ring	PMP35-07	7,10	
32	Cap	1250-32	5,25	
33	Nut	YVS-905	16,61	
34	Top closure dome's parts	1250-001	12,78	

Küresel Su Vanaları

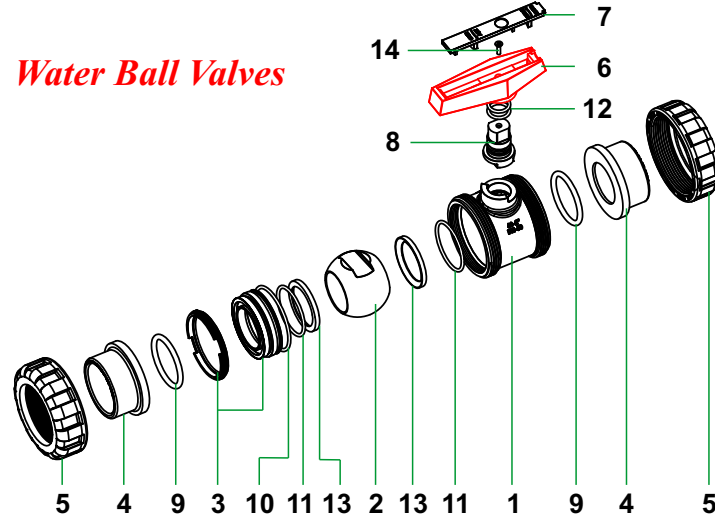


NO	PARÇA ADI	1/2" - 20 MM.		3/4" - 25 MM.		1" - 32 MM.		1 1/4" - 40 MM.		1 1/2" - 50 MM.	
		KOD	FİYATI (€)	KOD	FİYATI (€)	KOD	FİYATI (€)	KOD	FİYATI (€)	KOD	FİYATI (€)
1	Vana gövdesi	YVS-101	2,56	YVS-201	2,98	YVS-301	4,12	YVS-401	5,40	YVS-501	9,94
2	Küre	YVS-102	1,42	YVS-202	1,56	YVS-302	1,99	YVS-402	2,98	YVS-502	4,83
3	Küre dayama	YVS-103	1,70	YVS-203	1,99	YVS-303	2,27	YVS-403	2,41	YVS-503	2,70
4	Boru bağlantı (yapıştırma) Boru bağlantı (dişli)	FKL-020 YVS-104D	0,75 1,63	FKL-025 YVS-204D	0,75 1,63	FKL-032 YVS-304D	0,94 1,99	FKL-040 YVS-404D	1,07 2,06	FKL-050 YVS-504D	1,07 2,41
5	Somun	YVS-105	1,49	YVS-205	1,63	YVS-305	2,34	YVS-405	2,63	YVS-505	3,69
6	Sap	YVS-106	1,56	YVS-206	1,99	YVS-306	2,27	YVS-406	2,41	YVS-506	2,70
7	Sap kapağı (Küre dayama anahtarı)	YVS-107	0,71	YVS-207	0,71	YVS-307	0,99	YVS-407	0,99	YVS-507	1,14
8	Pim	YVS-108	0,99	YVS-208	1,14	YVS-308	1,14	YVS-408	1,28	YVS-508	1,42
9	Boru bağlantı o-ringi	YVS-109	0,43	YVS-209	0,50	YVS-309	0,64	YVS-409	0,71	YVS-509	1,35
10	Gövde o-ringi	YVS-110	0,50	YVS-210	0,50	YVS-310	1,07	YVS-410	1,07	YVS-510	1,21
11	Conta altı o-ringi	YVS-111	0,28	YVS-211	0,28	YVS-311	0,57	YVS-411	0,71	YVS-511	0,99
12	Pim o-ringi	YVS-112	0,14	YVS-212	0,14	YVS-312	0,28	YVS-412	0,28	YVS-512	0,43
13	Küre contası	YVS-113	0,43	YVS-213	0,57	YVS-313	0,71	YVS-413	0,71	YVS-513	0,99
14	Sap vidası	YVS-114	0,43	YVS-114	0,43	YVS-114	0,43	YVS-114	0,43	YVS-114	0,57

NO	PARÇA ADI	2" - 63 MM.		2 1/2" - 75 MM.		3" - 90 MM.		4" - 110 MM.	
		KOD	FİYATI (€)	KOD	FİYATI (€)	KOD NO:	FİYATI (€)	KOD NO:	FİYATI (€)
1	Vana gövdesi	YVS-601	11,08	YVS-701	27,12	YVS-801	35,22	YVS-901	50,84
2	Küre	YVS-602	7,38	YVS-702	16,19	YVS-802	21,16	YVS-902	30,25
3	Küre dayama	YVS-603	2,98	YVS-703	5,40	YVS-803	6,96	YVS-903	8,80
4	Boru bağlantı (yapıştırma) Boru bağlantı (dişli)	FKL-063 YVS-604D	1,09 2,41	FKL-075 YVS-704D	1,35 2,98	FKL-090 YVS-804D	1,79 3,41	FKL-110 YVS-904D	3,76 4,26
5	Somun	YVS-605	4,97	YVS-705	9,66	YVS-805	13,77	YVS-905	16,61
6	Sap	YVS-606	2,98	YVS-606	2,98	YVS-906	6,96	YVS-906	6,96
7	Sap kapağı (Küre dayama anahtarı)	YVS-607	1,14	YVS-607	1,14	YVS-907	1,56	YVS-907	1,56
8	Pim	YVS-608	1,85	YVS-708	2,84	YVS-808	3,55	YVS-908	3,55
9	Boru bağlantı o-ringi	YVS-609	2,06	YVS-709	3,55	PMP35-16	6,77	PMP35-07	7,53
10	Gövde o-ringi	YVS-610	1,85	YVS-710	4,40	YVS-810	5,75	YVS-910	8,38
11	Conta altı o-ringi	YVS-611	0,99	YVS-610	1,85	YVS-811	2,41	YVS-911	3,12
12	Pim o-ringi	YVS-612	0,43	YVS-612	0,43	YVS-912	0,71	YVS-912	0,71
13	Küre contası	YVS-613	0,99	YVS-713	1,28	YVS-813	1,70	YVS-913	1,99
14	Sap vidası	YVS-514	0,57	YVS-514	0,57	YVS-514	0,57	YVS-514	0,57

✓ Kodlar U-PVC için olup PPRC için rengiyle birlikte belirtilmesi gerekmektedir.

Water Ball Valves

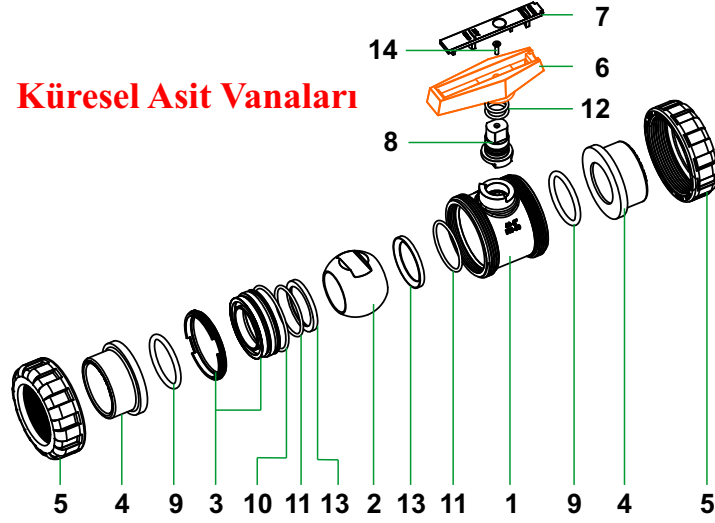


N O	PART NAME	1/2" - 20 MM.		3/4" - 25 MM.		1" - 32 MM.		1 1/4" - 40 MM.		1 1/2" - 50 MM.	
		CODE NO:	PRICE (€) UNIT	CODE NO:	PRICE (€) UNIT	CODE NO:	PRICE (€) UNIT	CODE NO:	PRICE (€) UNIT	CODE NO:	PRICE (€) UNIT
1	Valve body	YVS-101	2,56	YVS-201	2,98	YVS-301	4,12	YVS-401	5,40	YVS-501	9,94
2	Ball	YVS-102	1,42	YVS-202	1,56	YVS-302	1,99	YVS-402	2,98	YVS-502	4,83
3	Ball lean	YVS-103	1,70	YVS-203	1,99	YVS-303	2,27	YVS-403	2,41	YVS-503	2,70
4	Pipe connection (bonding) Pipe connection (threaded)	FKL-020 YVS-104D	0,75 1,63	FKL-025 YVS-204D	0,75 1,63	FKL-032 YVS-304D	0,94 1,99	FKL-040 YVS-404D	1,07 2,06	FKL-050 YVS-504D	1,07 2,41
5	Nut	YVS-105	1,49	YVS-205	1,63	YVS-305	2,34	YVS-405	2,63	YVS-505	3,69
6	Handle	YVS-106	1,56	YVS-206	1,99	YVS-306	2,27	YVS-406	2,41	YVS-506	2,70
7	Handle cover (Ball lean key)	YVS-107	0,71	YVS-207	0,71	YVS-307	0,99	YVS-407	0,99	YVS-507	1,14
8	Pin	YVS-108	0,99	YVS-208	1,14	YVS-308	1,14	YVS-408	1,28	YVS-508	1,42
9	Pipe connection o-ring	YVS-109	0,43	YVS-209	0,50	YVS-309	0,64	YVS-409	0,71	YVS-509	1,35
10	Body o-ring	YVS-110	0,50	YVS-210	0,50	YVS-310	1,07	YVS-410	1,07	YVS-510	1,21
11	Under gasket o-ring	YVS-111	0,28	YVS-211	0,28	YVS-311	0,57	YVS-411	0,71	YVS-511	0,99
12	Pin o-ring	YVS-112	0,14	YVS-212	0,14	YVS-312	0,28	YVS-412	0,28	YVS-512	0,43
13	Ball gasket	YVS-113	0,43	YVS-213	0,57	YVS-313	0,71	YVS-413	0,71	YVS-513	0,99
14	Handle screw	YVS-114	0,43	YVS-114	0,43	YVS-114	0,43	YVS-114	0,43	YVS-114	0,57

N O	PART NAME	2" - 63 MM.		2 1/2" - 75 MM.		3" - 90 MM.		4" - 110 MM.	
		CODE NO:	PRICE (€) UNIT	CODE NO:	PRICE (€) UNIT	CODE NO:	PRICE (€) UNIT	CODE NO:	PRICE (€) UNIT
1	Valve body	YVS-601	11,08	YVS-701	27,12	YVS-801	35,22	YVS-901	50,84
2	Ball	YVS-602	7,38	YVS-702	16,19	YVS-802	21,16	YVS-902	30,25
3	Ball lean	YVS-603	2,98	YVS-703	5,40	YVS-803	6,96	YVS-903	8,80
4	Pipe connection (bonding) Pipe connection (threaded)	FKL-063 YVS-604D	1,09 2,41	FKL-075 YVS-704D	1,35 2,98	FKL-090 YVS-804D	1,79 3,41	FKL-110 YVS-904D	3,76 4,26
5	Nut	YVS-605	4,97	YVS-705	9,66	YVS-805	13,77	YVS-905	16,61
6	Handle	YVS-606	2,98	YVS-606	2,98	YVS-906	6,96	YVS-906	6,96
7	Handle cover (Ball lean key)	YVS-607	1,14	YVS-607	1,14	YVS-907	1,56	YVS-907	1,56
8	Pin	YVS-608	1,85	YVS-708	2,84	YVS-808	3,55	YVS-908	3,55
9	Pipe connection o-ring	YVS-609	2,06	YVS-709	3,55	PMP35-16	6,77	PMP35-07	7,53
10	Body o-ring	YVS-610	1,85	YVS-710	4,40	YVS-810	5,75	YVS-910	8,38
11	Under gasket o-ring	YVS-611	0,99	YVS-610	1,85	YVS-811	2,41	YVS-911	3,12
12	Pin o-ring	YVS-612	0,43	YVS-612	0,43	YVS-912	0,71	YVS-912	0,71
13	Ball gasket	YVS-613	0,99	YVS-713	1,28	YVS-813	1,70	YVS-913	1,99
14	Handle screw	YVS-514	0,57	YVS-514	0,57	YVS-514	0,57	YVS-514	0,57

✓ Codes are for U-PVC and they should be indicated with colors for PPRC.

Küresel Asit Vanaları

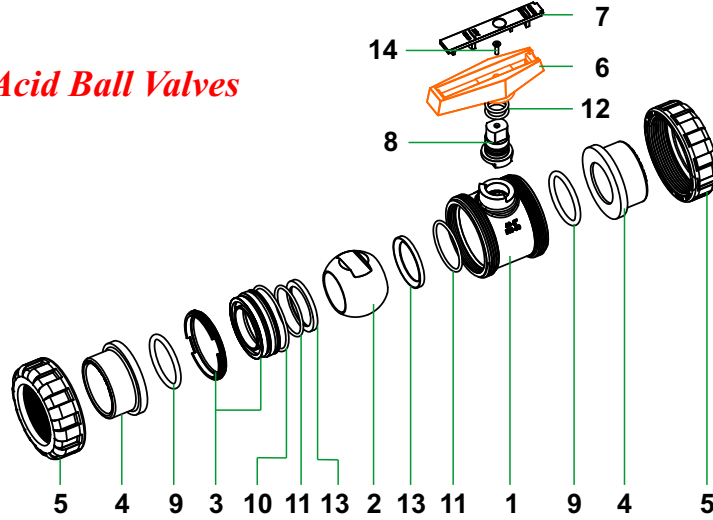


NO	PARÇA ADI	1/2" - 20 MM.		3/4" - 25 MM.		1" - 32 MM.		1 1/4" - 40 MM.	
		KOD NO:	FİYATI (€) PRICE	KOD NO:	FİYATI (€) PRICE	KOD NO:	FİYATI (€) PRICE	KOD NO:	FİYATI (€) PRICE
1	Vana gövdesi	YVA-101	3,27	YVA-201	4,83	YVA-301	6,25	YVA-401	8,38
2	Küre	YVA-102	2,41	YVA-202	2,56	YVA-302	3,12	YVA-402	4,83
3	Küre dayama	YVA-103	2,41	YVA-203	2,84	YVA-303	2,98	YVA-403	4,26
4	Boru bağlantı (yapıştırma) Boru bağlantı (dişli)	FKL-020 YVS-104D	0,75 1,63	FKL-025 YVS-204D	0,75 1,63	FKL-032 YVS304D	0,94 1,99	FKL-040 YVS-404D	1,07 2,06
5	Somun	YVS-105	1,49	YVS-205	1,63	YVS-305	2,34	YVS-405	2,63
6	Sap	YVA-106	2,41	YVA-206	2,84	YVA-306	2,98	YVA-406	4,26
7	Sap kapağı (Küre dayama anahtarı)	YVS-107	0,71	YVS-207	0,71	YVS-307	0,99	YVS-407	0,99
8	Pim	YVS-108	0,99	YVS-208	1,14	YVS-308	1,14	YVS-408	1,28
9	Boru bağlantı o-ringi	YVA-109	0,43	YVA-209	0,43	YVA-309	0,57	YVA-409	0,71
10	Gövde o-ringi	YVA-110	0,43	YVA-210	0,57	YVA-310	0,99	YVA-410	0,99
11	Conta altı o-ringi	YVA-111	0,28	YVA-211	0,28	YVA-311	0,71	YVA-411	0,71
12	Pim o-ringi	YVS-112	0,14	YVS-212	0,14	YVS-312	0,28	YVS-412	0,28
13	Küre contası	YVA-113	1,14	YVA-213	1,42	YVA-313	1,99	YVA-413	2,41
14	Sap vidası	YVS-114	0,43	YVS-114	0,43	YVS-114	0,43	YVS-114	0,43

	PARÇA ADI	1 1/2" -50 MM.		2" - 63 MM.		2 1/2" - 75 MM.		3" - 90 MM.		4" -110 MM.	
		KOD NO:	FİYATI (€) PRICE	KOD NO:	FİYATI (€) PRICE	KOD NO:	FİYATI (€) PRICE	KOD NO:	FİYATI (€) PRICE	KOD NO:	FİYATI (€) PRICE
1	Vana gövdesi	YVA-501	14,34	YVA-601	16,19	YVA-701	39,48	YVA-801	53,39	YVA-901	69,15
2	Küre	YVA-502	7,38	YVA-602	11,50	YVA-702	31,24	YVA-802	42,17	YVA-902	54,53
3	Küre dayama	YVA-503	4,40	YVA-603	4,83	YVA-703	12,50	YVA-803	16,90	YVA-903	22,01
4	Boru bağlantı (yapıştırma) Boru bağlantı (dişli)	FKL-050 YVS-504D	1,07 2,41	FKL-063 YVS-604D	1,09 2,41	FKL-075 YVS-704D	1,35 2,98	FKL-090 YVS-804D	1,79 3,41	FKL-110 YVS-904D	3,76 4,26
5	Somun	YVS-505	3,69	YVS-605	4,97	YVS-705	9,66	YVS-805	13,77	YVS-905	16,61
6	Sap	YVA-506	4,26	YVA-606	4,83	YVA-706	8,38	YVA-806	11,22	YVA-906	14,48
7	Sap kapağı (Küre dayama anahtarı)	YVS-507	1,14	YVS-607	1,14	YVS-607	1,14	YVS-907	1,56	YVS-907	1,56
8	Pim	YVS-508	1,42	YVS-608	1,85	YVS-708	2,84	YVS-808	3,55	YVS-908	3,55
9	Boru bağlantı o-ringi	YVA-509	1,42	YVA-609	2,06	YVA-709	3,69	YVA-809	4,97	YVA-909	6,53
10	Gövde o-ringi	YVA-510	1,42	YVA-610	1,99	YVA-710	4,69	YVA-810	6,25	YVA-910	8,24
11	Conta altı o-ringi	YVA-511	0,99	YVA-611	0,99	YVA-611	1,99	YVA-811	2,70	YVA-911	3,55
12	Pim o-ringi	YVS-512	0,43	YVS-612	0,43	YVS-612	0,43	YVS-912	0,71	YVS-912	0,71
13	Küre contası	YVA-513	4,26	YVA-613	5,68	YVA-713	12,07	YVA-813	16,19	YVA-913	21,02
14	Sap vidası	YVS-514	0,57	YVS-514	0,57	YVS-514	0,57	YVS-514	0,57	YVS-514	0,57

✓ Kodlar U-PVC için olup PPRC için rengiyle birlikte belirtilmesi gerekmektedir.

Acid Ball Valves

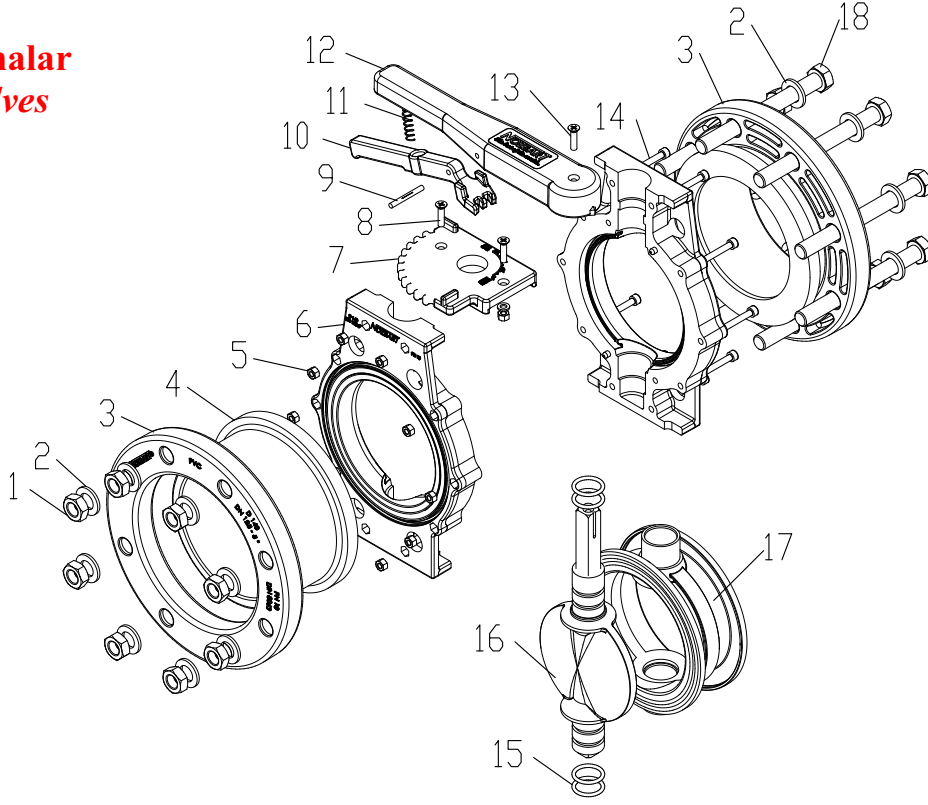


NO	PART NAME	1/2" -20 MM.		3/4" -25 MM.		1" - 32 MM.		1 1/4" -40 MM.	
		CODE NO:	PRICE (€) UNIT	CODE NO:	PRICE (€) UNIT	CODE NO:	PRICE (€) UNIT	CODE NO:	PRICE (€) UNIT
1	Valve body	YVA-101	3,27	YVA-201	4,83	YVA-301	6,25	YVA-401	8,38
2	Ball	YVA-102	2,41	YVA-202	2,56	YVA-302	3,12	YVA-402	4,83
3	Ball lean	YVA-103	2,41	YVA-203	2,84	YVA-303	2,98	YVA-403	4,26
4	Pipe connection (bonding) Pipe connection (threaded)	FKL-020 YVS-104D	0,75 1,63	FKL-025 YVS-204D	0,75 1,63	FKL-032 YVS304D	0,94 1,99	FKL-040 YVS-404D	1,07 2,06
5	Nut	YVS-105	1,49	YVS-205	1,63	YVS-305	2,34	YVS-405	2,63
6	Handle	YVA-106	2,41	YVA-206	2,84	YVA-306	2,98	YVA-406	4,26
7	Handle cover (Ball lean key)	YVS-107	0,71	YVS-207	0,71	YVS-307	0,99	YVS-407	0,99
8	Pin	YVS-108	0,99	YVS-208	1,14	YVS-308	1,14	YVS-408	1,28
9	Pipe connection o-ring	YVA-109	0,43	YVA-209	0,43	YVA-309	0,57	YVA-409	0,71
10	Body o-ring	YVA-110	0,43	YVA-210	0,57	YVA-310	0,99	YVA-410	0,99
11	Under gasket o-ring	YVA-111	0,28	YVA-211	0,28	YVA-311	0,71	YVA-411	0,71
12	Pin o-ring	YVS-112	0,14	YVS-212	0,14	YVS-312	0,28	YVS-412	0,28
13	Ball gasket	YVA-113	1,14	YVA-213	1,42	YVA-313	1,99	YVA-413	2,41
14	Handle screw	YVS-114	0,43	YVS-114	0,43	YVS-114	0,43	YVS-114	0,43

NO	PART NAME	1 1/2" - 50 MM.		2" - 63 MM.		2 1/2" - 75 MM.		3" - 90 MM.		4" -110 MM.	
		CODE NO:	PRICE (€) UNIT	CODE NO:	PRICE (€) UNIT	CODE NO:	PRICE (€) UNIT	CODE NO:	PRICE (€) UNIT	CODE NO:	PRICE (€) UNIT
1	Valve body	YVA-501	14,34	YVA-601	16,19	YVA-701	39,48	YVA-801	53,39	YVA-901	69,15
2	Ball	YVA-502	7,38	YVA-602	11,50	YVA-702	31,24	YVA-802	42,17	YVA-902	54,53
3	Ball lean	YVA-503	4,40	YVA-603	4,83	YVA-703	12,50	YVA-803	16,90	YVA-903	22,01
4	Pipe connection (bonding) Pipe connection (threaded)	FKL-050 YVS-504D	1,07 2,41	FKL-063 YVS-604D	1,09 2,41	FKL-075 YVS-704D	1,35 2,98	FKL-090 YVS-804D	1,79 3,41	FKL-110 YVS-904D	3,76 4,26
5	Nut	YVS-505	3,69	YVS-605	4,97	YVS-705	9,66	YVS-805	13,77	YVS-905	16,61
6	Handle	YVA-506	4,26	YVA-606	4,83	YVA-706	8,38	YVA-806	11,22	YVA-906	14,48
7	Handle cover (Ball lean key)	YVS-507	1,14	YVS-607	1,14	YVS-607	1,14	YVS-907	1,56	YVS-907	1,56
8	Pin	YVS-508	1,42	YVS-608	1,85	YVS-708	2,84	YVS-808	3,55	YVS-908	3,55
9	Pipe connection o-ring	YVA-509	1,42	YVA-609	2,06	YVA-709	3,69	YVA-809	4,97	YVA-909	6,53
10	Body o-ring	YVA-510	1,42	YVA-610	1,99	YVA-710	4,69	YVA-810	6,25	YVA-910	8,24
11	Under gasket o-ring	YVA-511	0,99	YVA-611	0,99	YVA-610	1,99	YVA-811	2,70	YVA-911	3,55
12	Pin o-ring	YVS-512	0,43	YVS-612	0,43	YVS-612	0,43	YVS-912	0,71	YVS-912	0,71
13	Ball gasket	YVA-513	4,26	YVA-613	5,68	YVA-713	12,07	YVA-813	16,19	YVA-913	21,02
14	Handle screw	YVS-514	0,57	YVS-514	0,57	YVS-514	0,57	YVS-514	0,57	YVS-514	0,57

✓ Codes are for U-PVC and they should be indicated with colors for PPRC.

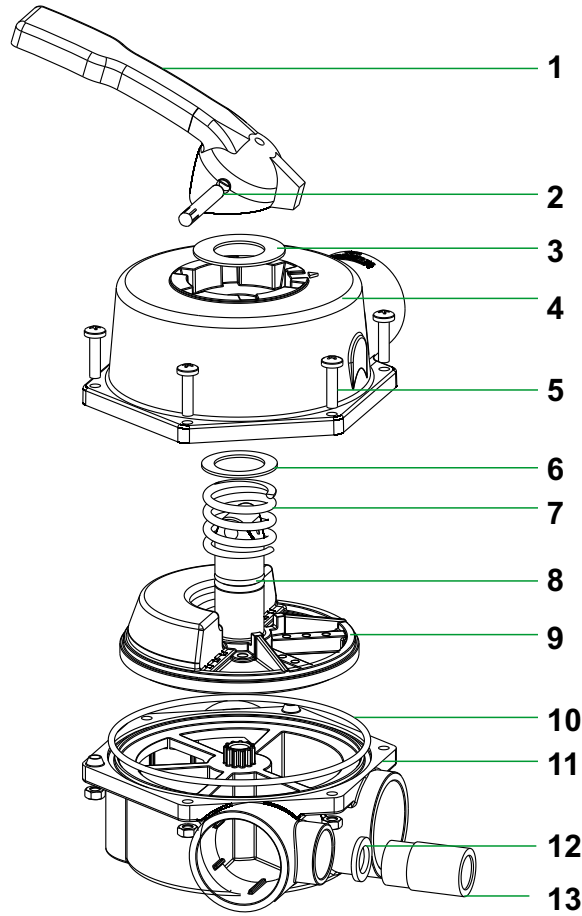
Kelebek Vanalar
Butterfly Valves



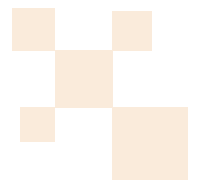
NO	PARÇA ADI PART NAME	2 ½"-75 MM. €/ Ad.	3"-90 MM. €/ Ad.	4"-110 MM. €/ Ad.	5"-140 MM. €/ Ad.	6"-160 MM. €/ Ad.	8"-225 MM. €/ Ad.	10"-280 MM. €/ Ad.	12"-315 MM. €/ Ad.
1	Flanş Somunu Flange Nut	DİM-0301 0,57	DİM-0301 0,57	DİM-0301 0,57	DİM-0301 0,57	DİM-0601 1,14	DİM-0601 1,14	DİM-0601 1,14	DİM-0601 1,14
2	Flanş Pulu Flange Washer	DİM-0302 0,14	DİM-0302 0,14	DİM-0302 0,14	DİM-0302 0,14	DİM-0602 0,16	DİM-0602 0,16	DİM-0602 0,16	DİM-0602 0,16
3	Flange Flange	FFL-075 2,98	FFL-090 3,34	FFL-110 3,55	FFL-140 4,66	FFL-160 6,25	FFL-225 12,07	FFL-280 56,60	FFL-315 82,08
4	Kole Collar	FKL-075 1,35	FKL-090 1,79	FKL-110 3,76	FKL-140 4,97	FKL-160 7,38	FKL-225 11,22	FKL-280 47,29	FKL-315 73,84
5	Gövde Somunu Body Nut	DİM-0305 0,14	DİM-0305 0,14	DİM-0305 0,14	DİM-0305 0,14	DİM-0605 0,28	DİM-0605 0,28	DİM-0605 0,28	DİM-0605 0,28
6	Kelebek Vana Gövdesi Butterfly Valve Body	DİM-0206 20,31	DİM-0306 20,31	DİM-0406 26,41	DİM-0506 35,52	DİM-0606 40,61	DİM-0806 67,02	DİM-1006 198,94	DİM-1206 505,38
7	Kilitleme Tablası Handle Locker	DİM-0307 10,22	DİM-0307 10,22	DİM-0407 10,22	DİM-0507 10,22	DİM-0607 16,19	DİM-0607 16,19	DİM-0607 16,19	DİM-0607 16,19
8	Tabla Cıvatası , Pul ve Somun Handle Locker's Bolt, Washer and Nut	DİM-0308 0,71	DİM-0308 0,71	DİM-0308 0,71	DİM-0308 0,71	DİM-0608 0,72	DİM-0608 0,72	DİM-0608 0,72	DİM-0608 0,72
9	Kol Pimi Handle Pin	DİM-0309 1,99	DİM-0309 1,99	DİM-0309 1,99	DİM-0309 1,99	DİM-0609 2,00	DİM-0609 2,00	DİM-0609 2,00	DİM-0609 2,00
10	Kilitleme mandalı Operation Lever	DİM-0310 10,22	DİM-0310 10,22	DİM-0310 10,22	DİM-0310 10,22	DİM-0610 16,19	DİM-0610 16,19	DİM-1010 25,56	DİM-1010 25,56
11	Kol Yayısı Handle Spring	DİM-0311 3,12	DİM-0311 3,12	DİM-0311 3,12	DİM-0311 3,12	DİM-0611 3,69	DİM-0611 3,69	DİM-1011 3,69	DİM-1011 3,69
12	Kumanda Kolu Level Control Handle	DİM-0212 20,31	DİM-0312 20,31	DİM-0412 20,31	DİM-0512 20,31	DİM-0612 34,51	DİM-0812 34,51	DİM-1012 85,20	DİM-1212 85,20
13	Kumanda Kolu Cıvatası Control Handle Bolt	DİM-0313 0,28	DİM-0313 0,28	DİM-0313 0,28	DİM-0313 0,28	DİM-0313 0,28	DİM-0313 0,28	DİM-1013 0,28	DİM-0313 0,28
14	Gövde Cıvatası Body Bolt	DİM-0314 0,57	DİM-0314 0,57	DİM-0414 0,57	DİM-0514 0,57	DİM-0614 0,80	DİM-0814 1,85	DİM-1014 2,27	DİM-1014 2,27
15	O-ring O-ring	DİM-0315 0,28	DİM-0315 0,28	YVS-109 0,43	DİM-0515 0,57	YVS-912 0,71	PMP025-12 1,07	DİM-1015 0,99	DİM-1215 1,85
16	Kelebek Shaft Disk	DİM-0216 30,53	DİM-0316 30,53	DİM-0416 36,92	DİM-0516 44,73	DİM-0616 60,92	DİM-0816 101,53	DİM-1016 300,47	DİM-1216 762,40
17	Teflon Burçlu Lastik Conta EPDM Shaft Disk Seat with Teflon	DİM-0317 34,51	DİM-0317 34,51	DİM-0417 40,61	DİM-0517 48,71	DİM-0617 65,04	DİM-0817 109,62	DİM-1017 324,90	DİM-1217 825,30
18	Flanş Cıvatası Flange Bolt	DİM-0218 2,84	DİM-0318 2,98	DİM-0418 3,27	DİM-0518 3,69	DİM-0618 5,54	DİM-0818 10,22	DİM-1018 10,22	DİM-1218 25,99

✓ Kodlar U-PVC için olup PPRC için rengeyle birlikte belirtilmesi gerekmektedir.
Codes are for U-PVC and they should be indicated with colors for PPRC.

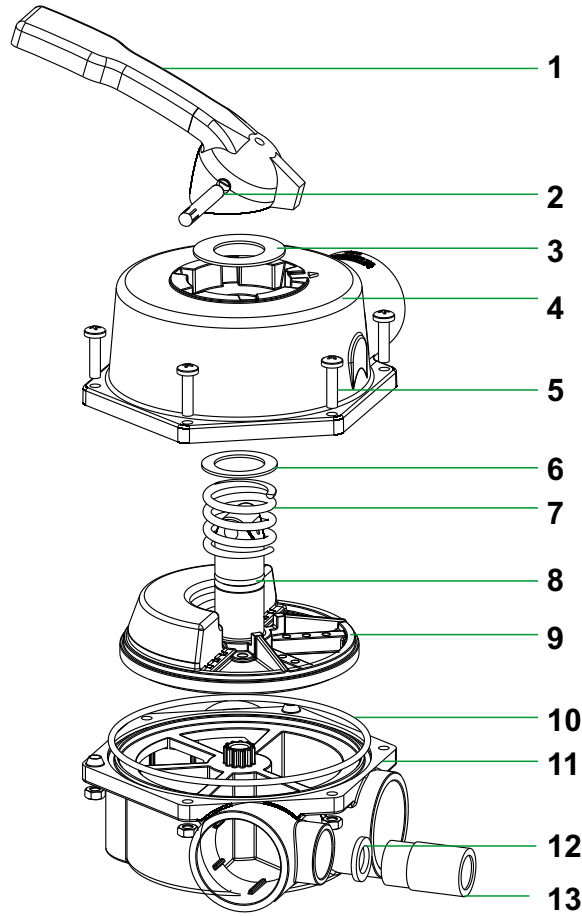
Altı Yollu Vanalar



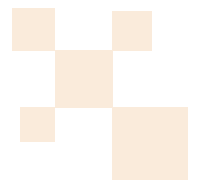
NO	PARÇA ADI	1 ½" - 50 MM.		2" - 63 MM.	
		KOD NO	FİYATI (€) PRICE	KOD NO	FİYATI (€) PRICE
1	Altıyollu Vana Kumanda Kolu	YALT-01	16,50	YALT-01	16,50
2	Altıyollu Vana Kumanda Kol Pimi	YALT-02	6,00	YALT-02	6,00
3	Altıyollu Vana Üst Pul	YALT-03	0,90	YALT-03	0,90
4	Yapıştırma Üst Gövde	YALT-045Y	33,00	YALT-046Y	49,50
	Dişli Üst Gövde	YALT-045D	37,50	YALT-046D	52,50
5	Altıyollu Vana Vidası	YALT-055	1,20	YALT-056	1,35
6	Altıyollu Vana Tabla Pulu	YALT-06	0,90	YALT-06	0,90
7	Altıyollu Vana Tabla Yayı	YALT-07	12,00	YALT-07	12,00
8	Altıyollu Vana Tabla O-Ringi	YALT-08	0,45	YALT-08	0,45
9	Altıyollu Vana Tablası	YALT-095	30,00	YALT-096	47,60
10	Gövde O-Ringi	YALT-105	10,50	YALT-106	12,00
11	Yapıştırma Alt Gövde	YALT-115Y	37,50	YALT-116Y	56,30
	Dişli Alt Gövde	YALT-115D	43,50	YALT-116D	62,30
12	Gözetleme Camı Halkası	YALT-12	0,90	YALT-12	0,90
13	Altıyollu Vana Gözetleme Camı	YALT-13	3,20	YALT-13	3,20



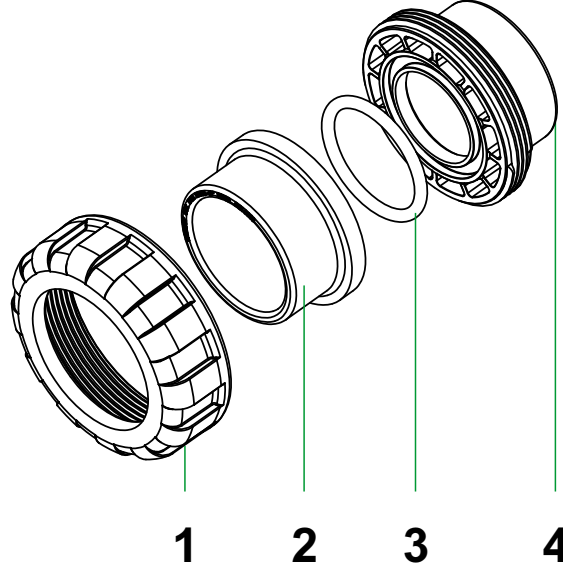
Multiport Valves



NO	PART NAME	1 ½" - 50 MM.		2" - 63 MM.	
		CODE	PRICE €	CODE	PRICE €
1	Multiport Valve Control Lever	YALT-01	16,50	YALT-01	16,50
2	Multiport Valve Control Lever Pin	YALT-02	6,00	YALT-02	6,00
3	Multiport Valve Upper Washer	YALT-03	0,90	YALT-03	0,90
4	Threaded Upper Body	YALT-045Y	33,00	YALT-046Y	49,50
	Bonding Upper Body	YALT-045D	37,50	YALT-046D	52,50
5	Multiport Valve Screw	YALT-055	1,20	YALT-056	1,35
6	Multiport Valve Plate Washer	YALT-06	0,90	YALT-06	0,90
7	Multiport Valve Plate Spring	YALT-07	12,00	YALT-07	12,00
8	Multiport Valve Plate O-Ring	YALT-08	0,45	YALT-08	0,45
9	Multiport Valve Plate	YALT-095	30,00	YALT-096	47,60
10	Body O-Ring	YALT-105	10,50	YALT-106	12,00
11	Threaded Lower Body	YALT-115Y	37,50	YALT-116Y	56,30
	Bonding Lower Body	YALT-115D	43,50	YALT-116D	62,30
12	Sight Glass Ring	YALT-12	0,90	YALT-12	0,90
13	Multiport Valve Sight Glass	YALT-13	3,20	YALT-13	3,20



Rakorlar Unions

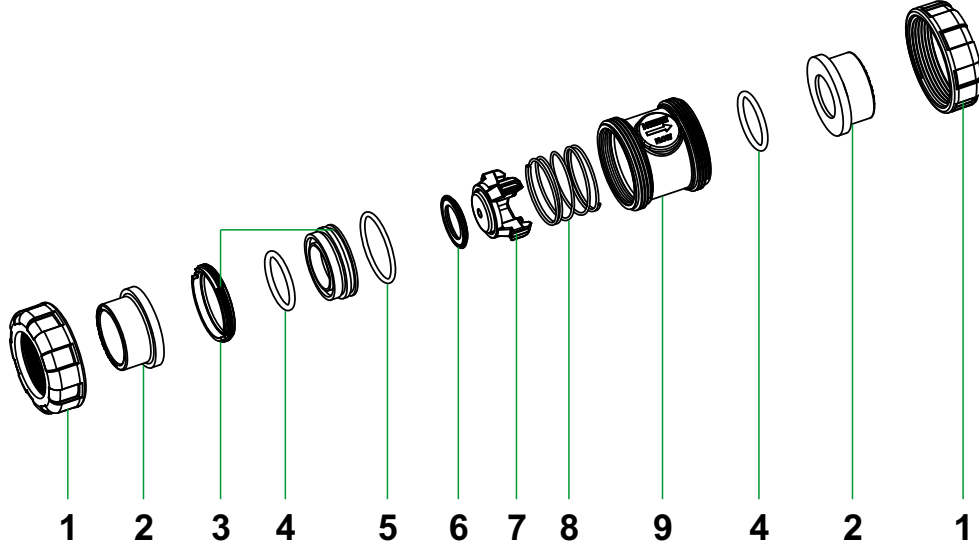


NO	PARÇA ADI PART NAME	1/2" - 20 mm.		3/4" - 25 mm		1" - 32 mm.		1 1/4" - 40 mm.	
		KOD NO: CODE NO:	€/AD. €/UNT	KOD NO: CODE NO:	€/AD. €/UNT	KOD NO: CODE NO:	€/AD. €/UNT	KOD NO: CODE NO:	€/AD. €/UNT
1	Somun Nut	YVS-105	1,49	YVS-205	1,63	YVS-305	2,34	YVS-405	2,63
2	Boru bağlantı (yapıştırma) Pipe connection (bonding)	FKL-020	0,75	FKL-025	0,75	FKL-032	0,94	FKL-040	1,07
	Boru bağlantı (dişli) Pipe connection (threaded)	YVS-104D	1,63	YVS-204D	1,63	YVS-304D	1,99	YVS-404D	2,06
3	Boru bağlantı o-ringi Pipe connection o-ring	YVS-109	0,43	YVS-209	0,50	YVS-309	0,64	YVS-409	0,71
4	Rakor gövde (yapıştırma) Union body (bonding)	YRKR-205	1,42	YRKR-255	2,56	YRKR-325	3,55	YRKR-405	3,83
	Rakor gövde (dişli) Union body (threaded)	YRKR-206	1,85	YRKR-256	2,98	YRKR-326	3,83	YRKR-406	4,26

NO	PARÇA ADI PART NAME	1 1/2" - 50 mm.		2" - 63 mm.		2 1/2" - 75 mm.		3" - 90 mm.		4" - 110 mm.	
		KOD NO: CODE NO:	€/AD. €/UNT	KOD NO: CODE NO:	€/AD. €/UNT	KOD NO: CODE NO:	€/AD. €/UNT	KOD NO: CODE NO:	€/AD. €/UNT	KOD NO: CODE NO:	€/AD. €/UNT
1	Somun Nut	YVS-505	3,69	YVS-605	4,97	YVS-705	9,66	YVS-805	13,77	YVS-905	16,61
2	Boru bağlantı (yapıştırma) Pipe connection (bonding)	FKL-050	1,07	FKL-063	1,09	FKL-075	1,35	FKL-090	1,79	FKL-110	3,76
	Boru bağlantı (dişli) Pipe connection (threaded)	YVS-504D	2,41	YVS-604D	2,41	YVS-704D	2,98	YVS-804D	3,41	YVS-904D	4,26
3	Boru bağlantı o-ringi Pipe connection o-ring	YVS-509	1,35	YVS-609	2,06	YVS-709	3,55	PMP35-16	6,39	YRKR-110	7,10
4	Rakor gövde (yapıştırma) Union body (bonding)	YRKR-505	4,97	YRKR-635	6,11	YRKR-755	13,63	YRKR-905	19,45	YRKR-115	23,43
	Rakor gövde (dişli) Union body (threaded)	YRKR-506	5,68	YRKR-636	7,24	YRKR-756	14,20	YRKR-906	21,16	YRKR-116	25,70

✓ Kodlar U-PVC için olup PPRC için rengiyle birlikte belirtilmesi gerekmektedir.
Codes are for U-PVC and they should be indicated with colors for PPRC.

Dört Ayaklı Eteksiz Çekvalf

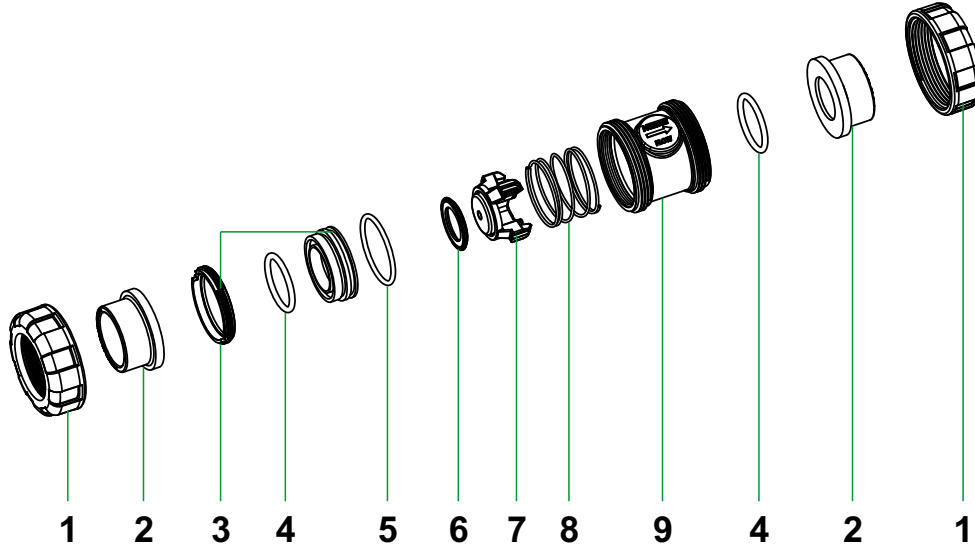


N O	PARÇA ADI	1/2" -20 MM.		3/4" -25 MM.		1" - 32 MM.		1 1/4" - 40 MM.	
		KOD	FİYATI (€)	KOD	FİYATI (€)	KOD	FİYATI (€)	KOD	FİYATI (€)
1	Somun	YVS-105	1,49	YVS-205	1,63	YVS-305	2,34	YVS-405	2,63
2	Boru bağlantı (yapıştırma) Boru bağlantı (dişli)	FKL-020 YVS-104D	0,75 1,63	FKL-025 YVS-204D	0,75 1,63	FKL-032 YVS-304D	0,94 1,99	FKL-040 YVS-404D	1,07 2,06
3	Subap dayama	ÇKV-103	1,78	ÇKV-203	2,06	ÇKV-303	2,34	ÇKV-403	2,49
4	Boru bağlantı O-ringi	YVS-109	0,50	YVS-209	0,50	YVS-309	0,64	YVS-409	0,71
5	Gövde O-ringi	YVS-110	0,50	YVS-210	0,50	YVS-310	1,07	YVS-410	1,07
6	Subap O-ringi	ÇKV-106	0,88	ÇKV-206	1,14	ÇKV-306	1,35	ÇKV-406	1,56
7	Subap	ÇKV-107	2,63	ÇKV-207	3,12	ÇKV-307	4,26	ÇKV-407	5,61
8	Subap Yayı	ÇKV-108	0,43	ÇKV-208	0,57	ÇKV-308	0,64	ÇKV-408	0,99
9	Çekvalf Gövde	ÇKV-109	2,63	ÇKV-209	3,12	ÇKV-309	4,26	ÇKV-409	5,61

N O	PARÇA ADI	1 1/2" - 50 MM.		2" - 63 MM.		2 1/2" - 75 MM.		3" - 90 MM.		4" - 110 MM.	
		KOD	FİYATI (€)	KOD	FİYATI (€)	KOD	FİYATI (€)	KOD	FİYATI (€)	KOD	FİYATI (€)
1	Somun	YVS-505	3,69	YVS-605	4,97	YVS-705	9,66	YVS-805	13,77	YVS-905	16,61
2	Boru bağlantı (yapıştırma) Boru bağlantı (dişli)	FKL-050 YVS-504D	1,07 2,41	FKL-063 YVS-604D	1,09 2,41	FKL-075 YVS-704D	1,35 2,98	FKL-090 YVS-804D	1,79 3,41	FKL-110 YVS-904D	3,76 4,26
3	Subap dayama	ÇKV-503	2,84	ÇKV-603	3,12	ÇKV-703	5,61	ÇKV-803	7,17	ÇKV-903	8,80
4	Boru bağlantı O-ringi	YVS-509	1,35	YVS-609	2,06	YVS-709	3,55	PMP35-16	6,39	PMP35-07	7,10
5	Gövde O-ringi	YVS-510	1,21	YVS-610	1,85	YVS-710	4,40	YVS-810	5,75	YVS-910	8,38
6	Subap O-ringi	ÇKV-506	1,70	ÇKV-606	1,78	ÇKV-706	2,42	ÇKV-806	2,63	ÇKV-906	2,91
7	Subap	ÇKV-507	10,30	ÇKV-607	11,50	ÇKV-707	27,97	ÇKV-807	36,28	ÇKV-907	52,40
8	Subap Yayı	ÇKV-508	1,35	ÇKV-608	3,12	ÇKV-708	6,46	ÇKV-808	7,74	ÇKV-908	11,57
9	Çekvalf Gövde	ÇKV-509	10,30	ÇKV-609	11,43	ÇKV-709	27,97	ÇKV-809	36,35	ÇKV-909	52,40

✓ Kodlar U-PVC için olup PPRC için rengiyle birlikte belirtilmesi gerekmektedir.

Four Legged Check Valve Without Skirt

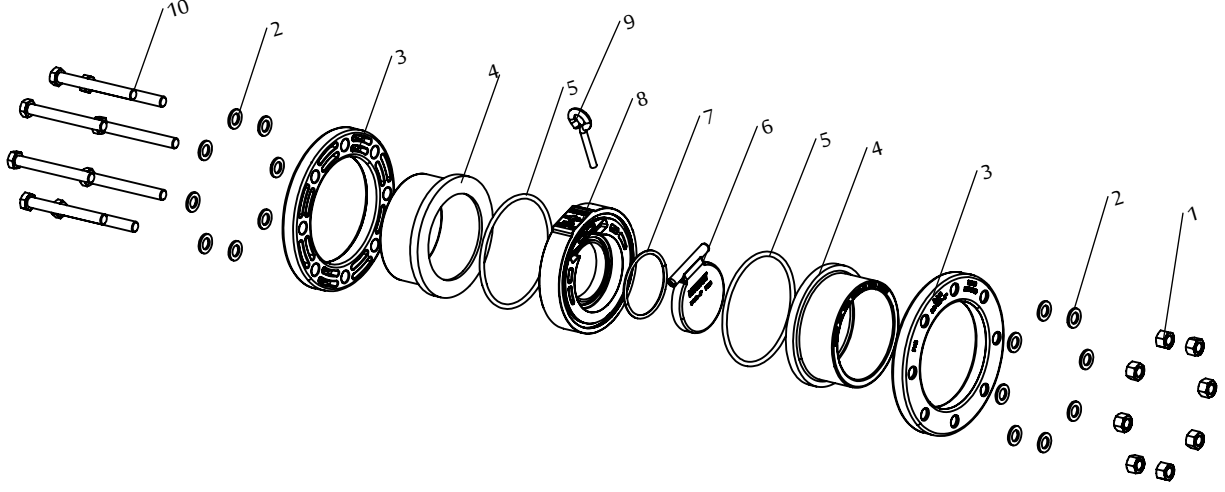


NO	PART NAME	1/2" - 20 mm.		3/4" - 25 mm.		1" - 32 mm.		1 1/4" - 40 mm.	
		CODE	PRICE (€)	CODE	PRICE (€)	CODE	PRICE (€)	CODE	PRICE (€)
1	Nut	YVS-105	1,49	YVS-205	1,63	YVS-305	2,34	YVS-405	2,63
2	Pipe Connection(bonding)	FKL-020	0,75	FKL-025	0,75	FKL-032	0,94	FKL-040	1,07
	Pipe Connection(threaded)	YVS-104D	1,63	YVS-204D	1,63	YVS-304D	1,99	YVS-404D	2,06
3	Valve Stopper	ÇKV-103	1,78	ÇKV-203	2,06	ÇKV-303	2,34	ÇKV-403	2,49
4	Pipe Connection o-ring	YVS-109	0,43	YVS-209	0,50	YVS-309	0,64	YVS-409	0,71
5	Body O-ring	YVS-110	0,50	YVS-210	0,50	YVS-310	1,07	YVS-410	1,07
6	Valve O-ring	ÇKV-106	0,88	ÇKV-206	1,14	ÇKV-306	1,35	ÇKV-406	1,56
7	Valve	ÇKV-107	2,63	ÇKV-207	3,12	ÇKV-307	4,26	ÇKV-407	5,61
8	Return Spring	ÇKV-108	0,43	ÇKV-208	0,57	ÇKV-308	0,64	ÇKV-408	0,99
9	Checkvalve body	ÇKV-109	2,63	ÇKV-209	3,12	ÇKV-309	4,26	ÇKV-409	5,61

NO	PART NAME	1 1/2" - 50 mm.		2" - 63 mm.		2 1/2" - 75 mm.		3" - 90 mm.		4" - 110 mm.	
		CODE	PRICE (€)	CODE	PRICE (€)	CODE	PRICE (€)	CODE	PRICE (€)	CODE	PRICE (€)
1	Nut	YVS-505	3,69	YVS-605	4,97	YVS-705	9,66	YVS-805	13,77	YVS-905	16,61
2	Pipe Connection(bonding)	FKL-050	1,07	FKL-063	1,09	FKL-075	1,35	FKL-090	1,79	FKL-110	3,76
	Pipe Connection(threaded)	YVS-504D	2,41	YVS-604D	2,41	YVS-704D	2,98	YVS-804D	3,41	YVS-904D	4,26
3	Valve Stopper	ÇKV-503	2,84	ÇKV-603	3,12	ÇKV-703	5,61	ÇKV-803	7,17	ÇKV-903	8,80
4	Pipe Connection o-ring	YVS-509	1,35	YVS-609	2,06	YVS-709	3,55	PMP35-16	6,39	PMP35-07	7,10
5	Body O-ring	YVS-510	1,21	YVS-610	1,85	YVS-710	4,40	YVS-810	5,75	YVS-910	8,38
6	Valve O-ring	ÇKV-506	1,70	ÇKV-606	1,78	ÇKV-706	1,41	ÇKV-806	2,63	ÇKV-906	2,91
7	Valve	ÇKV-507	10,30	ÇKV-607	11,50	ÇKV-707	27,97	ÇKV-807	36,28	ÇKV-907	52,40
8	Return Spring	ÇKV-508	1,35	ÇKV-608	3,12	ÇKV-708	6,46	ÇKV-808	7,74	ÇKV-908	11,57
9	Checkvalve body	ÇKV-509	10,30	ÇKV-609	11,43	ÇKV-709	27,97	ÇKV-809	36,35	ÇKV-909	52,40

✓ Codes are for U-PVC and they should be indicated with colors for PPRC.

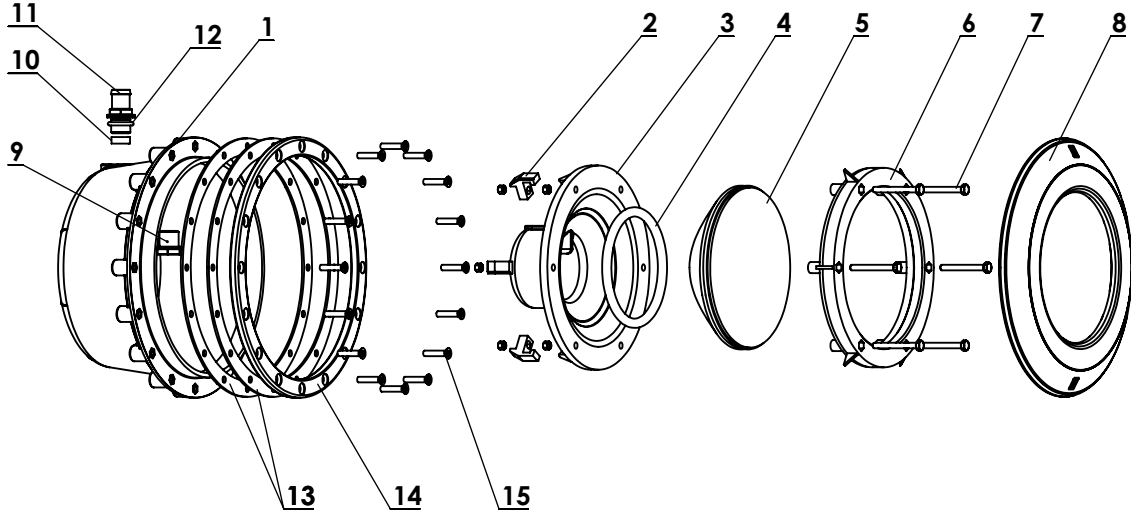
**Çalpara Çekvalfler
Wafer Swing Check Valves**



NO	PARÇA ADI PART NAME	3"-90 MM. € / Ad.	4"-110 MM. € / Ad.	4½"-125 MM. € / Ad.	5"-140 MM. € / Ad.	6"-160 MM. € / Ad.
1	Flanş Somunu Flange Nut	DİM - 0301 0,57	DİM - 0301 0,57	DİM - 0301 0,57	DİM - 0301 0,57	DİM - 0601 1,14
2	Flanş Pulu Flange Washer	DİM - 0302 0,14	DİM - 0302 0,14	DİM - 0302 0,14	DİM - 0302 0,14	DİM - 0602 0,16
3	Flanş Flange	FFL - 090 3,34	FFL - 110 3,55	FFL - 125 4,69	FFL - 140 4,66	FFL - 160 6,25
4	Kole Collar	FKL - 090 1,79	FKL - 110 3,77	FKL - 125 3,77	FKL - 140 4,97	FKL - 160 7,38
5	Gövde O-ringi Body O-ring	ÇÇY - 0305 4,69	ÇÇY - 0405 6,53	ÇÇY - 0455 7,38	ÇÇY - 0505 8,38	ÇÇY - 0605 9,66
6	Çalpara Disc	ÇÇY - 0306 21,44	ÇÇY - 0406 25,35	ÇÇY - 0456 29,25	ÇÇY - 0506 35,07	ÇÇY - 0606 39,05
7	Çalpara O-ringi Disc O-ring	ÇÇY - 0307 4,69	ÇÇY - 0407 4,70	PMP35-16 6,39	ÇÇY - 0507 3,98	ÇÇY - 0607 5,11
8	Çalpara Gövde Body	ÇÇY - 0308 33,02	ÇÇY - 0408 39,05	ÇÇY - 0458 45,01	ÇÇY - 0508 53,96	ÇÇY - 0608 60,21
9	Kanca Hook	ÇÇY - 0309 3,69	ÇÇY - 0409 3,70	ÇÇY - 0459 3,98	ÇÇY - 0459 3,98	ÇÇY - 0459 3,98
10	Flanş Civatası Flange Bolt	CGK-16120 2,98	DİM - 0218 2,84	DİM - 0318 2,98	DİM - 0418 3,27	DİM - 0518 3,69

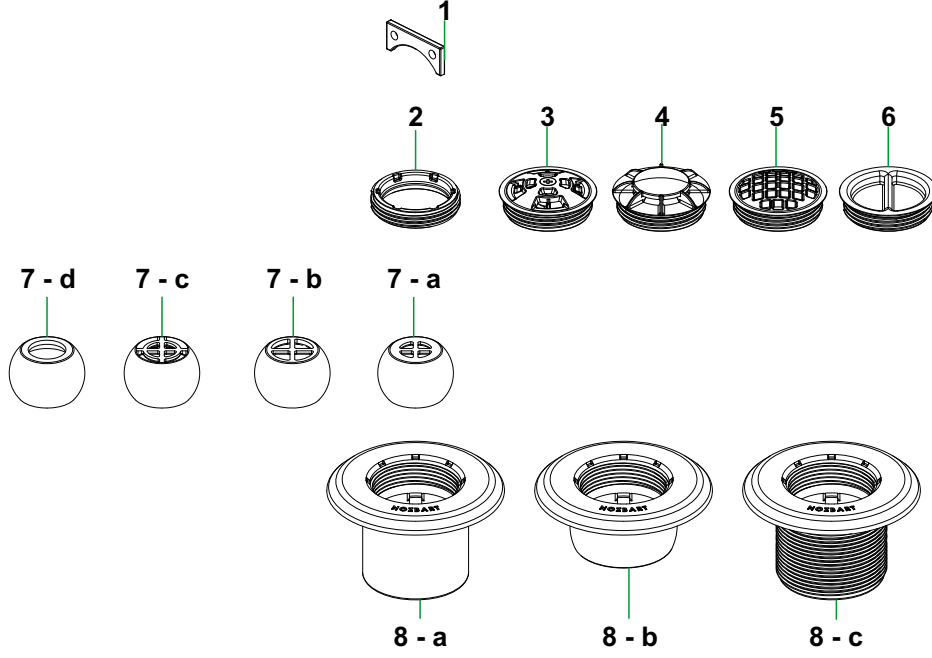
NO	PARÇA ADI PART NAME	7"-200 MM. € / Ad.	8"-225 MM. € / Ad.	9"-250 MM. € / Ad.	10"-280 MM. € / Ad.	12"-315 MM. € / Ad.
1	Flanş Somunu Flange Nut	DİM - 0601 1,14	DİM - 0601 1,14	DİM - 0601 1,14	DİM - 0601 1,14	DİM - 0601 1,14
2	Flanş Pulu Flange Washer	DİM - 0602 0,16	DİM - 0602 0,16	DİM - 0602 0,16	DİM - 0602 0,16	DİM - 0602 0,16
3	Flanş Flange	FFL - 200 12,00	FFL - 225 12,07	FFL - 250 56,66	FFL - 280 56,66	FFL - 315 82,08
4	Kole Collar	FKL - 200 10,37	FKL - 225 11,22	FKL - 250 45,87	FKL - 280 47,29	FKL - 315 73,84
5	Gövde O-ringi Body O-ring	PMP150-08 21,58	ÇÇY - 0805 20,59	ÇÇY - 0905 23,15	ÇÇY - 1005 24,14	ÇÇY - 1205 25,56
6	Çalpara Disc	ÇÇY - 0706 48,28	ÇÇY - 0806 55,38	ÇÇY - 0906 106,50	ÇÇY - 1006 159,75	ÇÇY - 1206 216,55
7	Çalpara O-ringi Disc O-ring	ÇÇY - 0707 7,38	ÇÇY - 0807 7,38	ÇÇY - 0907 8,38	ÇÇY - 1007 12,50	ÇÇY - 1207 15,62
8	Çalpara Gövde Body	ÇÇY - 0708 74,41	ÇÇY - 0808 85,20	ÇÇY - 0908 164,72	ÇÇY - 1008 246,02	ÇÇY - 1208 333,70
9	Kanca Hook	ÇÇY - 0409 3,98	ÇÇY - 0409 3,98	ÇÇY - 0409 3,98	ÇÇY - 0409 3,98	ÇÇY - 0409 3,98
10	Flanş Civatası Flange Bolt	DİM - 0718 9,09	DİM - 0718 9,09	DİM - 0818 10,22	DİM - 0818 10,22	DİM - 0818 10,22

Aydınlatma Armatürü Lightening Armatures



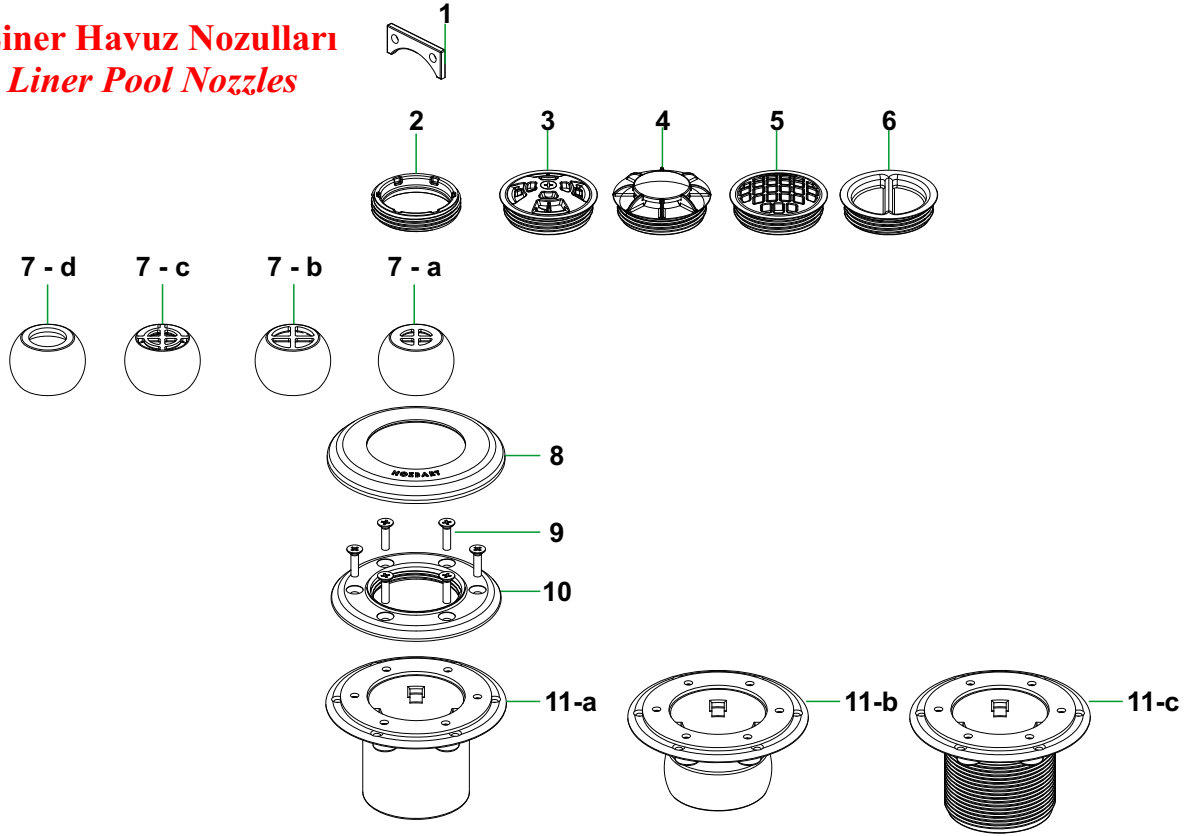
NO	PARÇA ADI PART NAME	KOD NO: CODE NO:	FİYAT PRICE (€)	AMBALAJ PACKAGE
1	Lamba dış kasası (Beton) Lamp exterior case (Concrete)	AAAY-01	15,62	1 ADET 1 UNIT
	Lamba dış kasası (Liner) Lamp exterior case (Liner)	AAAYL-01	21,30	1 ADET 1 UNIT
2	Lamba tırnağı Lamp nail	AAAY-02	0,57	1 ADET 1 UNIT
3	Lamba iç kasası Lamp interior case	AAAY-03	12,07	1 ADET 1 UNIT
4	Lamba gövde o-ringi Lamp body o-ring	AAAY-04	3,55	1 ADET 1 UNIT
5	Ampül Lamp electric bulb	AAAY-05	42,60	1 ADET 1 UNIT
6	Lamba çemberi Lamp circle	AAAY-06	7,10	1 ADET 1 UNIT
7	Lamba civatası ve somunu Lamp screw and nut	AAAY-07	1,42	1 ADET 1 UNIT
8	Lamba ön çerçevesi Lamp front	AAAY-08	12,78	1 ADET 1 UNIT
9	Lamba iç rakoru Lamp interior union	AAAY-09	1,42	1 ADET 1 UNIT
10	Lamba contası Lamp gasket	AAAY-10	0,85	1 ADET 1 UNIT
11	Lamba dış rakoru Lamp exterior union	AAAY-11	1,21	1 ADET 1 UNIT
12	Lamba dış rakor o-ringi Lamp exterior union o-ring	YVS-612	0,43	1 ADET 1 UNIT
13	Liner çember contası Liner circle gasket	AAAY-13	10,65	1 ADET 1 UNIT
14	Liner çemberi Liner circle	AAAY-14	9,37	1 ADET 1 UNIT
15	Liner çember civatası Liner circle screw	AAAY-15	0,36	1 ADET 1 UNIT

Beton Havuz Nozulları
Concrete Pool Nozzles



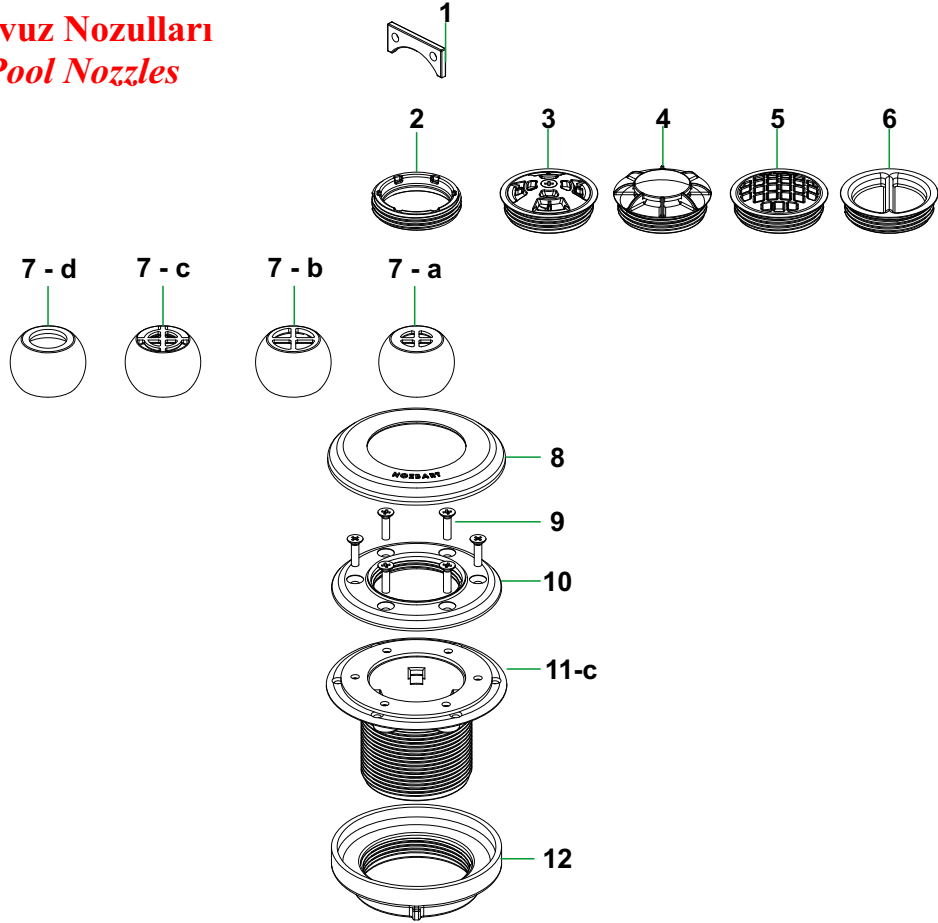
NO	Parça Adı Part Name	Kodu Code	€/ Adet €/ Unit
1	Nozul Anahtarı Nozzle Key	YNOZ-01	0,43
2	Küre Segmanı Ball ring	YNOZ-02	0,57
3	Debi Ayar Aparatı Adjustable Floor Inlet Tool	YNOZ-03	1,70
4	Yandan Çıkış Aparatı Output Side Floor Inlet Tool	YNOZ-04	1,28
5	Kafesli Besleme - Emiş Nozulu Aparatı Floor Inlet - Suction with Safety Cage Tool	YNOZ-05	1,28
6	Vakum Kapağı Suction Inlet Cap	YNOZ-06	1,28
7-a	Ø17,5 mm Emniyet Kafesli Küre (2,2 m ³ /saat) Ø17,5 mm Safety Cage Ball (2,2 m ³ /hour)	YNOZ-07	0,85
7-b	Ø22,8 mm Emniyet Kafesli Küre (4,5 m ³ /saat) Ø22,8 mm Safety Cage Ball (4,5 m ³ /hour)	YNOZ-08	0,85
7-c	Ø27,0 mm Emniyet Kafesli Küre (7 m ³ /saat) Ø27,0 mm Safety Cage Ball (7 m ³ /hour)	YNOZ-09	0,85
7-d	Ø20 mm Emniyet Kafesiz Küre (4,5 m ³ /saat) Ø20 mm Full Bore Ball (4,5 m ³ /hour)	YNOZ-10	0,85
8-a	Gövde (Yapıştırma) Nozzle Body (Solvent)	YNOZ-11	1,99
8-b	Gövde (Mafsallı) Nozzle Body (Hinged)	YNOZ-12	2,27
8-c	Gövde (Dişli) Nozzle Body (Threaded)	YNOZ-13	2,27

Liner Havuz Nozulları Liner Pool Nozzles



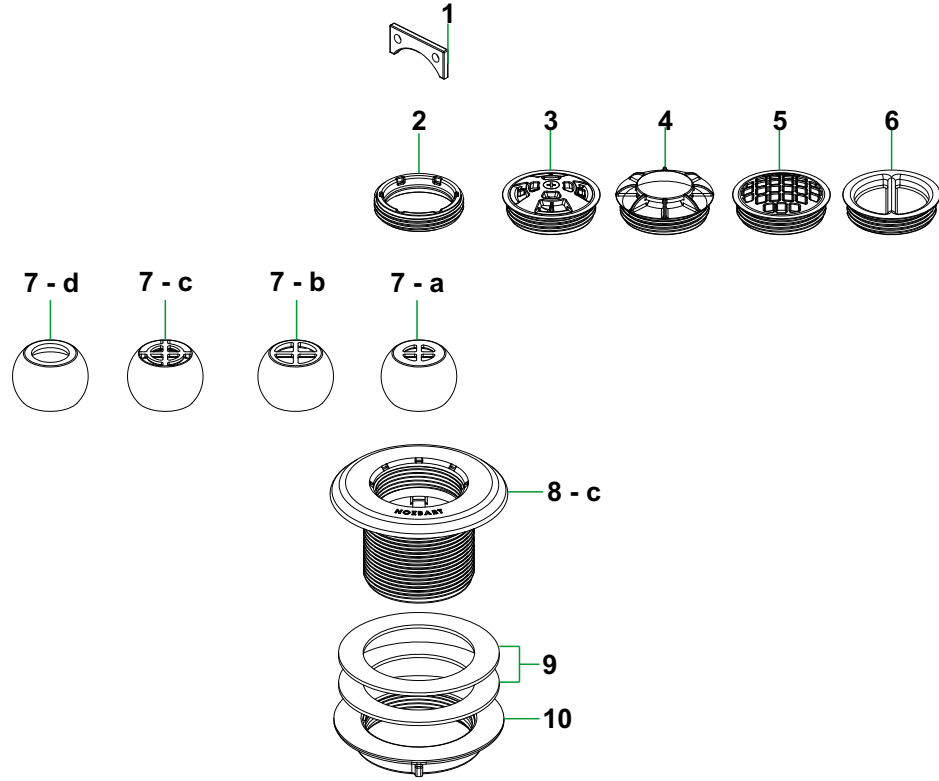
NO	Parça Adı Part Name	Kodu Code	€ / Adet € / Unit
1	Nozul Anahtarı Nozzle Key	YNOZ-01	0,43
2	Küre Segmanı Ball ring	YNOZ-02	0,57
3	Debi Ayar Aparatı Adjustable Floor Inlet Tool	YNOZ-03	1,70
4	Yandan Çıkış Aparatı Output Side Floor Inlet Tool	YNOZ-04	1,28
5	Kafesli Besleme - Emiş Nozulu Aparatı Floor Inlet - Suction with Safety Cage Tool	YNOZ-05	1,28
6	Vakum Kapağı Suction Inlet Cap	YNOZ-06	1,28
7-a	Ø17,5 mm Emniyet Kafesli Küre (2,2 m ³ /saat) Ø17,5 mm Safety Cage Ball (2,2 m ³ /hour)	YNOZ-07	0,85
7-b	Ø22,8 mm Emniyet Kafesli Küre (4,5 m ³ /saat) Ø22,8 mm Safety Cage Ball (4,5 m ³ /hour)	YNOZ-08	0,85
7-c	Ø27,0 mm Emniyet Kafesli Küre (7 m ³ /saat) Ø27,0 mm Safety Cage Ball (7 m ³ /hour)	YNOZ-09	0,85
7-d	Ø20 mm Emniyet Kafesiz Küre (4,5 m ³ /saat) Ø20 mm Full Bore Ball (4,5 m ³ /hour)	YNOZ-10	0,85
8	Liner Nozul Kapağı Liner Nozzle Cover	YNOZ-16	2,84
9	Paslanmaz Liner Civatası Inoz screw for liner	YNOZ-17	0,28
10	Liner Nozul Flanş Liner Nozzle Flange	YNOZ-18	5,11
11-a	Gövde (Yapıştırma) Nozzle Body (Solvent)	YNOZ-19	11,93
11-b	Gövde (Mafsallı) Nozzle Body (Hinged)	YNOZ-20	11,93
11-c	Gövde (Dişli) Nozzle Body (Threaded)	YNOZ-21	11,93

Panel Havuz Nozulları
Panel Pool Nozzles



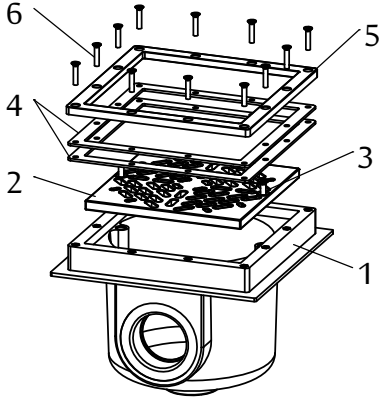
NO	Parça Adı Part Name	Kodu Code	€/ Adet €/ Unit
1	Nozul Anahtarı Nozzle Key	YNOZ-01	0,43
2	Küre Segmanı Ball ring	YNOZ-02	0,57
3	Debi Ayar Aparatı Adjustable Floor Inlet Tool	YNOZ-03	1,70
4	Yandan Çıkış Aparatı Output Side Floor Inlet Tool	YNOZ-04	1,28
5	Kafesli Besleme - Emiş Nozulu Aparatı Floor Inlet - Suction with Safety Cage Tool	YNOZ-05	1,28
6	Vakum Kapağı Suction Inlet Cap	YNOZ-06	1,28
7-a	Ø17,5 mm Emniyet Kafesli Küre (2,2 m ³ /saat) Ø17,5 mm Safety Cage Ball (2,2 m ³ /hour)	YNOZ-07	0,85
7-b	Ø22,8 mm Emniyet Kafesli Küre (4,5 m ³ /saat) Ø22,8 mm Safety Cage Ball (4,5 m ³ /hour)	YNOZ-08	0,85
7-c	Ø27,0 mm Emniyet Kafesli Küre (7 m ³ /saat) Ø27,0 mm Safety Cage Ball (7 m ³ /hour)	YNOZ-09	0,85
7-d	Ø20 mm Emniyet Kafesiz Küre (4,5 m ³ /saat) Ø20 mm Full Bore Ball (4,5 m ³ /hour)	YNOZ-10	0,85
8	Liner Nozul Kapağı Liner Nozzle Cover	YNOZ-16	2,84
9	Paslanmaz Liner Civatası Inoz screw for liner	YNOZ-17	0,28
10	Liner Nozul Flanşı Liner Nozzle Flange	YNOZ-18	5,11
11-c	Gövde (Dişli) Nozzle Body (Threaded)	YNOZ-21	11,93
12	Panel Havuz Sıkma Somunu Back Nut for Panel Pools	YNOZ-22	4,12

Polyester Havuz Nozulları Polyester Pool Nozzles



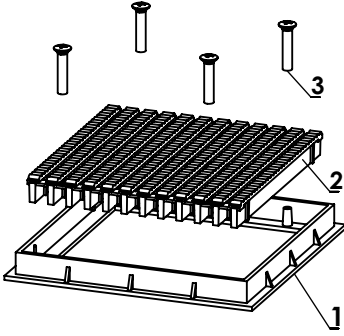
NO	Parça Adı Part Name	Kodu Code	€ / Adet € / Unit
1	Nozul Anahtarı Nozzle Key	YNOZ-01	0,43
2	Küre Segmanı Ball ring	YNOZ-02	0,57
3	Debi Ayar Aparatı Adjustable Floor Inlet Tool	YNOZ-03	1,70
4	Yandan Çıkış Aparatı Output Side Floor Inlet Tool	YNOZ-04	1,28
5	Kafesli Besleme - Emiş Nozulu Aparatı Floor Inlet - Suction with Safety Cage Tool	YNOZ-05	1,28
6	Vakum Kapağı Suction Inlet Cap	YNOZ-06	1,28
7-a	Ø17,5 mm Emniyet Kafesli Küre (2,2 m ³ /saat) Ø17,5 mm Safety Cage Ball (2,2 m ³ /hour)	YNOZ-07	0,85
7-b	Ø22,8 mm Emniyet Kafesli Küre (4,5 m ³ /saat) Ø22,8 mm Safety Cage Ball (4,5 m ³ /hour)	YNOZ-08	0,85
7-c	Ø27,0 mm Emniyet Kafesli Küre (7 m ³ /saat) Ø27,0 mm Safety Cage Ball (7 m ³ /hour)	YNOZ-09	0,85
7-d	Ø20 mm Emniyet Kafesiz Küre (4,5 m ³ /saat) Ø20 mm Full Bore Ball (4,5 m ³ /hour)	YNOZ-10	0,85
8-c	Gövde (Dişli) Nozzle Body (Threaded)	YNOZ-13	2,27
9	Polyester Nozul Contası Polyester Nozzle Gasket	YNOZ-14	1,99
10	Polyester Havuz Sıkma Somunu Back Nut for Polyester Pools	YNOZ-15	4,12

Dip Süzgeci Yedek Parçaları
Main Drain



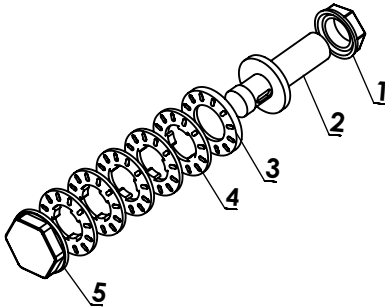
No	PARÇA ADI PART NAME	KOD NO: CODE NO:	FİYATI(€) PRICE	AMBALAJ PACKAGE
1	Dip süzgeci gövdesi Body of main drain	DSY - 01	15,48	1 ADET 1 UNIT
2	Dip süzgeci kapağı Cover of main drain	DSY - 02	9,37	1 ADET 1 UNIT
3	Dip süzgeci vidası Bolt of main drain	DSY - 03	0,28	1 ADET 1 UNIT
4	Dip süzgeci liner contası Bottom liner, filter gasket	DSY - 04	8,80	1 ADET 1 UNIT
5	Dip süzgeci liner çerçevesi Bottom liner frame filter	DSY - 05	7,81	1 ADET 1 UNIT
6	Dip süzgeci liner çerçeve vidası Bottom frame filter liner screw	DSY - 06	0,28	1 ADET 1 UNIT

Kare Tipi Izgara Yedek Parçaları
Square Dip Grating



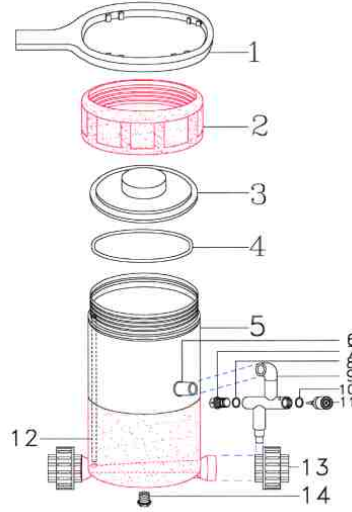
No	PARÇA ADI PART NAME	KOD NO: CODE NO:	FİYATI(€) PRICE	AMBALAJ PACKAGE
1	Çerçeve Outline	KDIY - 01	12,07	1 ADET 1 UNIT
2	Izgara Grid	KDIY - 02	7,81	1 ADET 1 UNIT
3	Vida Bolt	KDIY - 03	0,28	1 ADET 1 UNIT

Arıtma Tipi Filtre Süzgeci Yedek Parçaları
Refinery Type Filter Nozzle



No	PARÇA ADI PART NAME	KOD NO: CODE NO:	FİYATI(€) PRICE	AMBALAJ PACKAGE
1	Somun Nut	ATY - 01	0,67	1 ADET 1 UNIT
2	Gövde Body	ATY - 02	4,26	1 ADET 1 UNIT
3	Gövde Pulu Body drain	ATY - 03	0,71	1 ADET 1 UNIT
4	Süzgeç Pulu Filter Scale	ATY - 04	0,71	1 ADET 1 UNIT
5	Kapak Cover	ATY - 05	1,14	1 ADET 1 UNIT

Klorinatör Chlorinator



NO NO	PARÇA ADI PART NAME	KOD NO: CODE NO:	FİYATI(€) PRICE	AMBALAJ PACKAGE
1	Klorinatör kapak anahtarı Chlorinator cover key	YKL-001	5,11	1 ADET 1 UNIT
2	Klorinatör kapak somunu Chlorinator cover nut	YPS-002	26,27	1 ADET 1 UNIT
3	Klorinatör kapağı Chlorinator cover	YPS-003	43,05	1 ADET 1 UNIT
4	Klorinatör kapak altı o-ringi (viton) Chlorinator o-ring (viton)	YKL-004	25,70	1 ADET 1 UNIT
5	Klorinatör gövdesi Chlorinator body	YKL-005	108,77	1 ADET 1 UNIT
6	Debi ayar vanası adaptörü Flow adjustment valve adapter	YKL-006	1,35	1 ADET 1 UNIT
7	Debi ayar vanası tapası Flow adjustment valve cap	YKL-007	2,13	1 ADET 1 UNIT
8	Debi ayar vanası tapa o-ringi (viton) Flow adjustment valve cap o-ring (viton)	YKL-008	4,33	1 ADET 1 UNIT
9	Debi ayar vanası gövdesi Flow adjustment valve body	YKL-009	12,21	1 ADET 1 UNIT
10	Debi ayar vanası düğmesi o-ringi (viton) Flow adjustment valve switch o-ring (viton)	YKL-010	3,91	1 ADET 1 UNIT
11	Debi ayar vanası düğmesi Flow adjustment valve switch	YKL-011	3,91	1 ADET 1 UNIT
12	Klorinatör borusu Chlorinator pipe	YKL-012	2,41	1 ADET 1 UNIT
13	63 mm U-PVC rakor 63 mm U-PVC union	RPVC-063	8,09	1 ADET 1 UNIT
14	Klorinatör kör tapası Chlorinator blind cap	YKL-013	2,13	1 ADET 1 UNIT